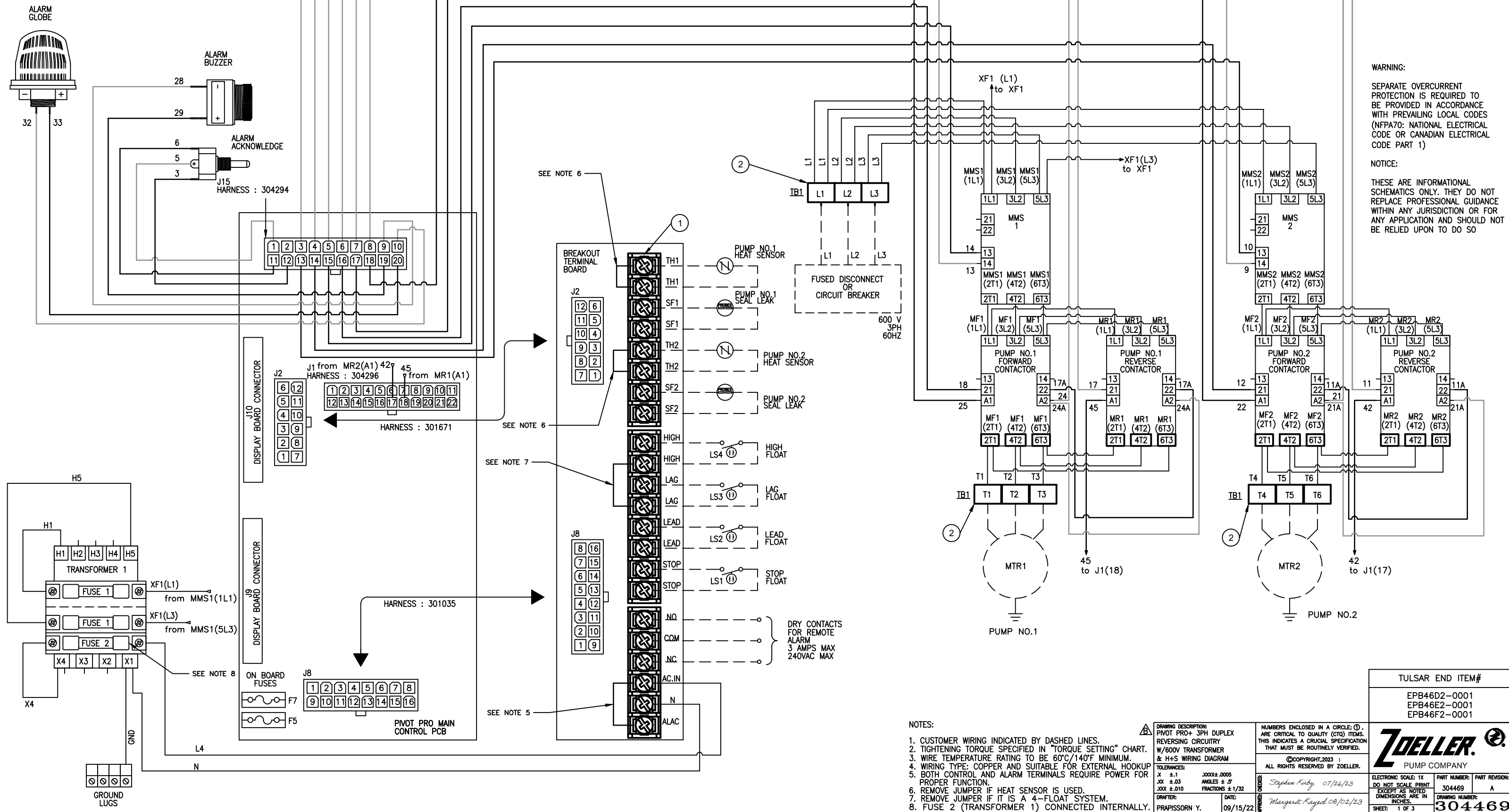


CUSTOMER TORQUE SETTING		
NUMBER	COMPONENT	TORQUE
1	BREAKOUT TERMINAL BOARD	0.82 N.m. 7.3 lb-in
2	TERMINAL BLOCK 6mm ² -CROSS SECTION	1.5-1.8 N.m. 13.3-15.9 lb-in

DRAWING REVISIONS				
LTR	BY	DATE	ECO #	DESCRIPTION
△	PY	02/14/23	11481	RELEASE
□	PY	05/29/23	11605	FORMAT UPDATES



WARNING:
SEPARATE OVERCURRENT PROTECTION IS REQUIRED TO BE PROVIDED IN ACCORDANCE WITH PREVAILING LOCAL CODES (NFPA70: NATIONAL ELECTRICAL CODE OR CANADIAN ELECTRICAL CODE PART 1)

NOTICE:
THESE ARE INFORMATIONAL SCHEMATICS ONLY. THEY DO NOT REPLACE PROFESSIONAL GUIDANCE WITHIN ANY JURISDICTION OR FOR ANY APPLICATION AND SHOULD NOT BE RELIED UPON TO DO SO

NOTES:

- CUSTOMER WIRING INDICATED BY DASHED LINES.
- TIGHTENING TORQUE SPECIFIED IN "TORQUE SETTING" CHART.
- WIRE TEMPERATURE RATING TO BE 60°C/140°F MINIMUM.
- WIRING TYPE: COPPER AND SUITABLE FOR EXTERNAL HOOKUP
- BOTH CONTROL AND ALARM TERMINALS REQUIRE POWER FOR PROPER FUNCTION.
- REMOVE JUMPER IF HEAT SENSOR IS USED.
- REMOVE JUMPER IF IT IS A 4-FLOAT SYSTEM.
- FUSE 2 (TRANSFORMER 1) CONNECTED INTERNALLY.

DRAWING DESCRIPTION: PIVOT PRO+ 3PH DUPLEX REVERSING CIRCUITRY W/600V TRANSFORMER & H+S WIRING DIAGRAM		NUMBERS ENCLOSED IN A CIRCLE (○), ARE CRITICAL TO QUALITY (CTQ) ITEMS. THIS INDICATES A CRUCIAL SPECIFICATION THAT MUST BE ROUTINELY VERIFIED.	
TOLERANCES: X ±.1 XX ±.03 XXX ±.010	JOXX ±.0005 ANGLES ±.5° FRACTIONS ±1/32	©COPYRIGHT, 2023 : ALL RIGHTS RESERVED BY ZOELLER.	
DRAFTER: PRAPISSORN Y.	DATE: 09/15/22	Stephen Kirby 07/26/23 Margaret Kaye 08/02/23	

TULSAR END ITEM#		
EPB46D2-0001		
EPB46E2-0001		
EPB46F2-0001		

ELECTRONIC SCALE: 1X DO NOT SCALE PRINT EXCEPT AS NOTED DIMENSIONS ARE IN INCHES.	PART NUMBER: 304469	PART REVISION: A
DRAWING NUMBER: 304469		SHEET: 1 OF 3



1
2
3
4
5
6
7
8
9
10
11
12
13
14
15
16
17
18
19
20
21
22
23
24
25
26
27
28
29
30
31
32
33
34
35

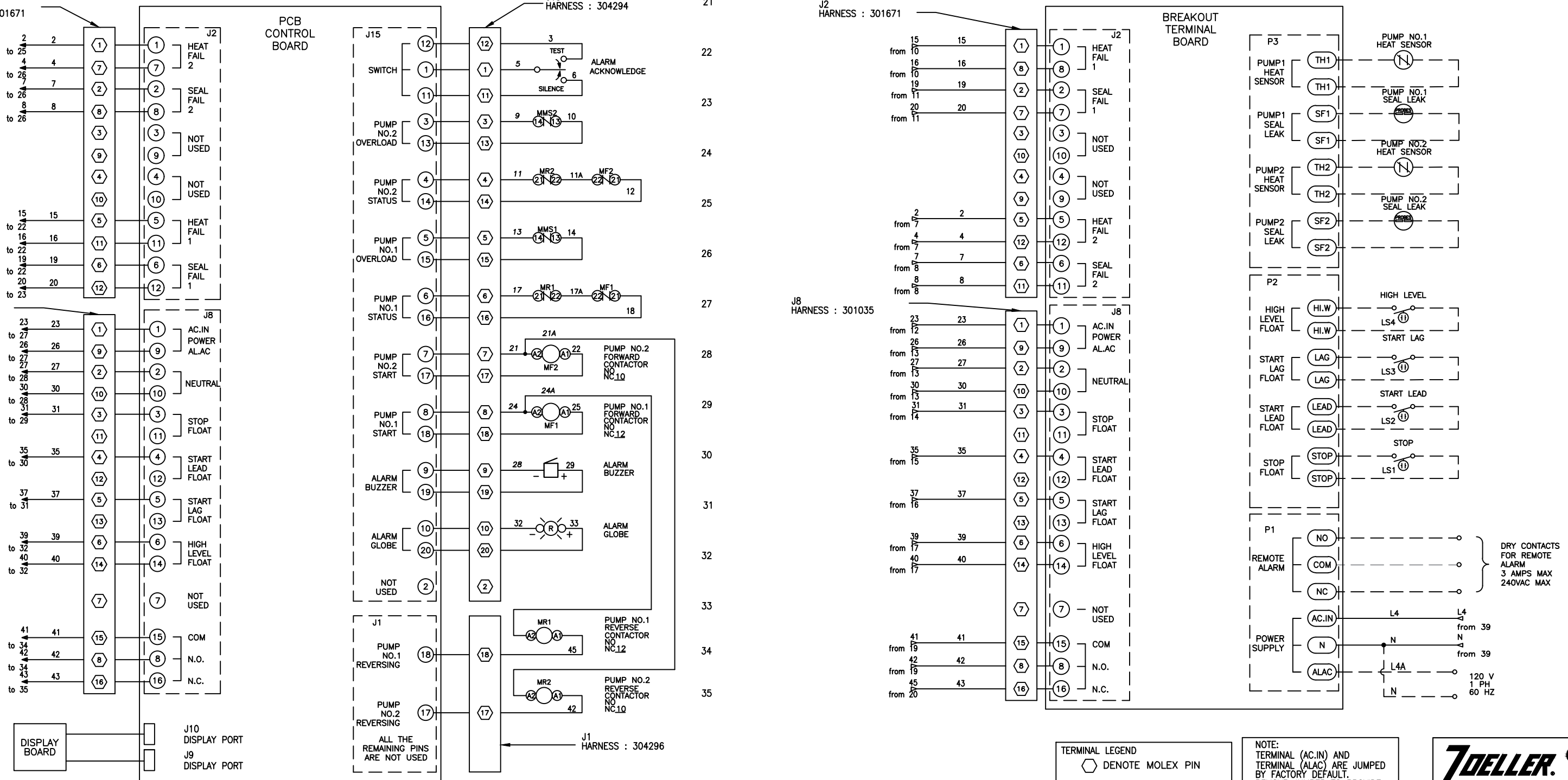
J2 HARNESS : 301671

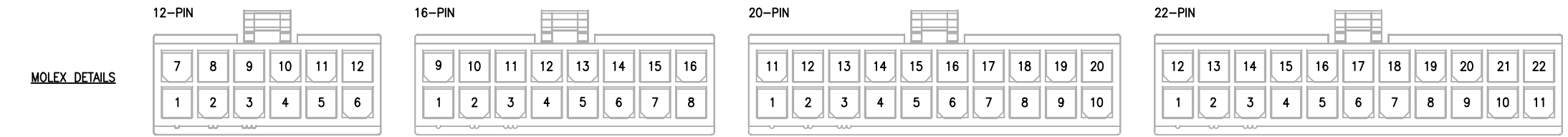
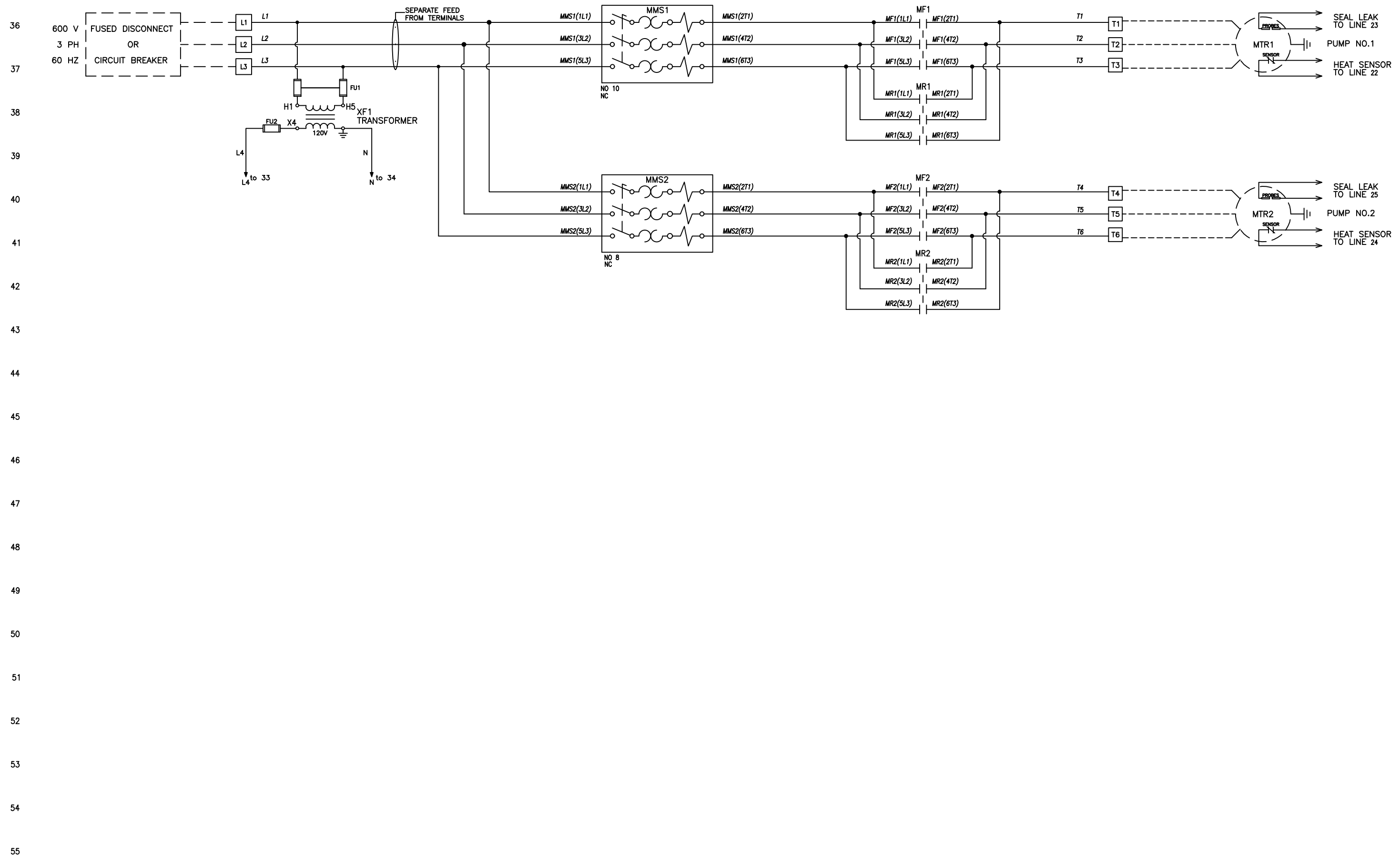
J15 HARNESS : 304294

J2 HARNESS : 301671

J8 HARNESS : 301035

J8 HARNESS : 301035





TERMINAL LEGEND
□ DENOTE LOCAL TERMINAL