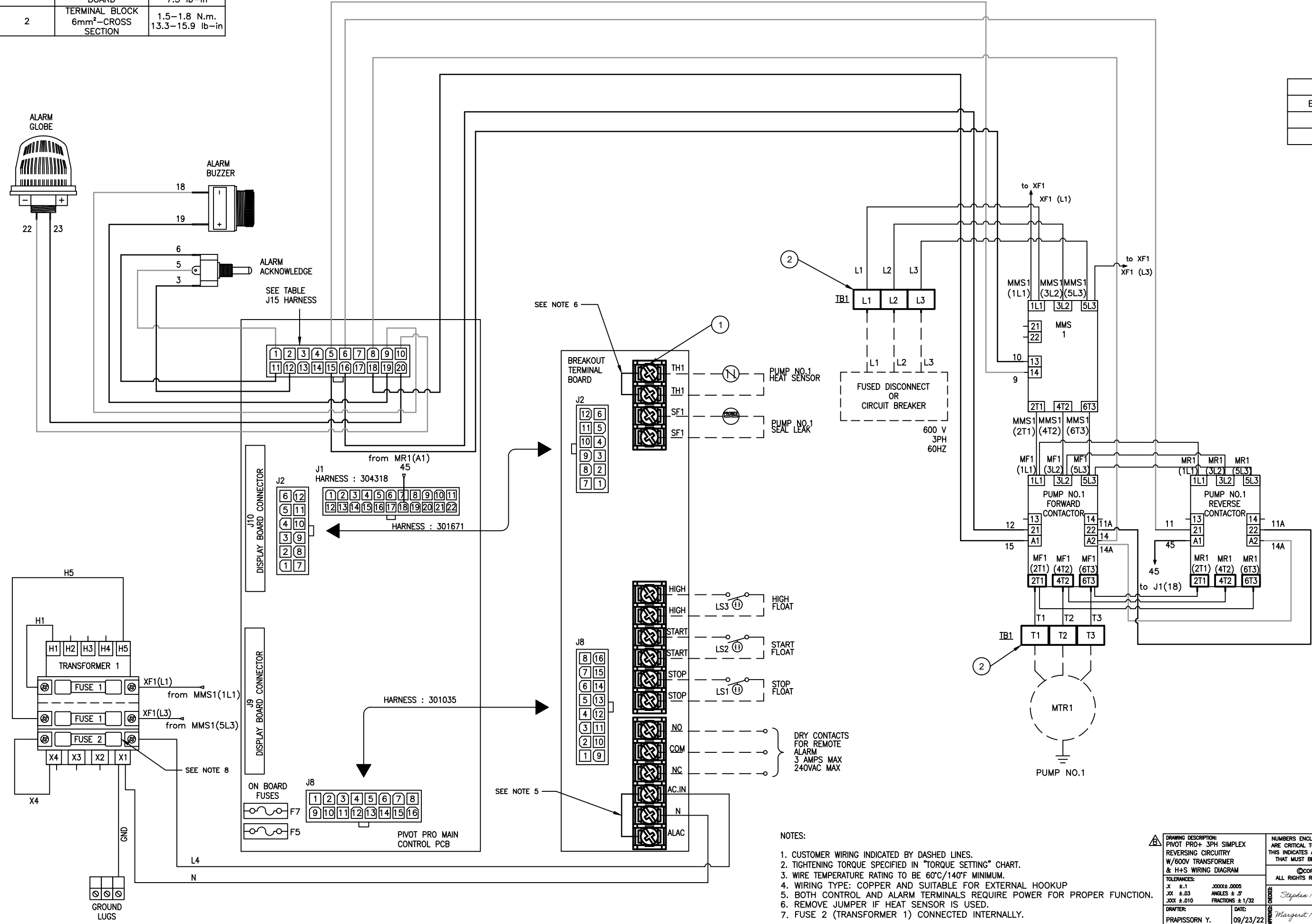


CUSTOMER TORQUE SETTING		
NUMBER	COMPONENT	TORQUE
1	BREAKOUT TERMINAL BOARD	0.82 N.m. 7.3 lb-in
2	TERMINAL BLOCK 6mm ² -CROSS SECTION	1.5-1.8 N.m. 13.3-15.9 lb-in

DRAWING REVISIONS				
LTR	BY	DATE	ECO #	DESCRIPTION
△	PY	02/14/23	11481	RELEASE
□	PY	05/29/23	11605	FORMAT UPDATES

J15 HARNESSES	
ENCLOSURE SIZE	HARNESS #
16"X14"X7"	304317
18"X16"X10"	304324



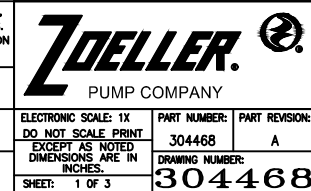
WARNING:
SEPARATE OVERCURRENT PROTECTION IS REQUIRED TO BE PROVIDED IN ACCORDANCE WITH PREVAILING LOCAL CODES (NFPA70: NATIONAL ELECTRICAL CODE OR CANADIAN ELECTRICAL CODE PART 1)

NOTICE:
THESE ARE INFORMATIONAL SCHEMATICS ONLY. THEY DO NOT REPLACE PROFESSIONAL GUIDANCE WITHIN ANY JURISDICTION OR FOR ANY APPLICATION AND SHOULD NOT BE RELIED UPON TO DO SO

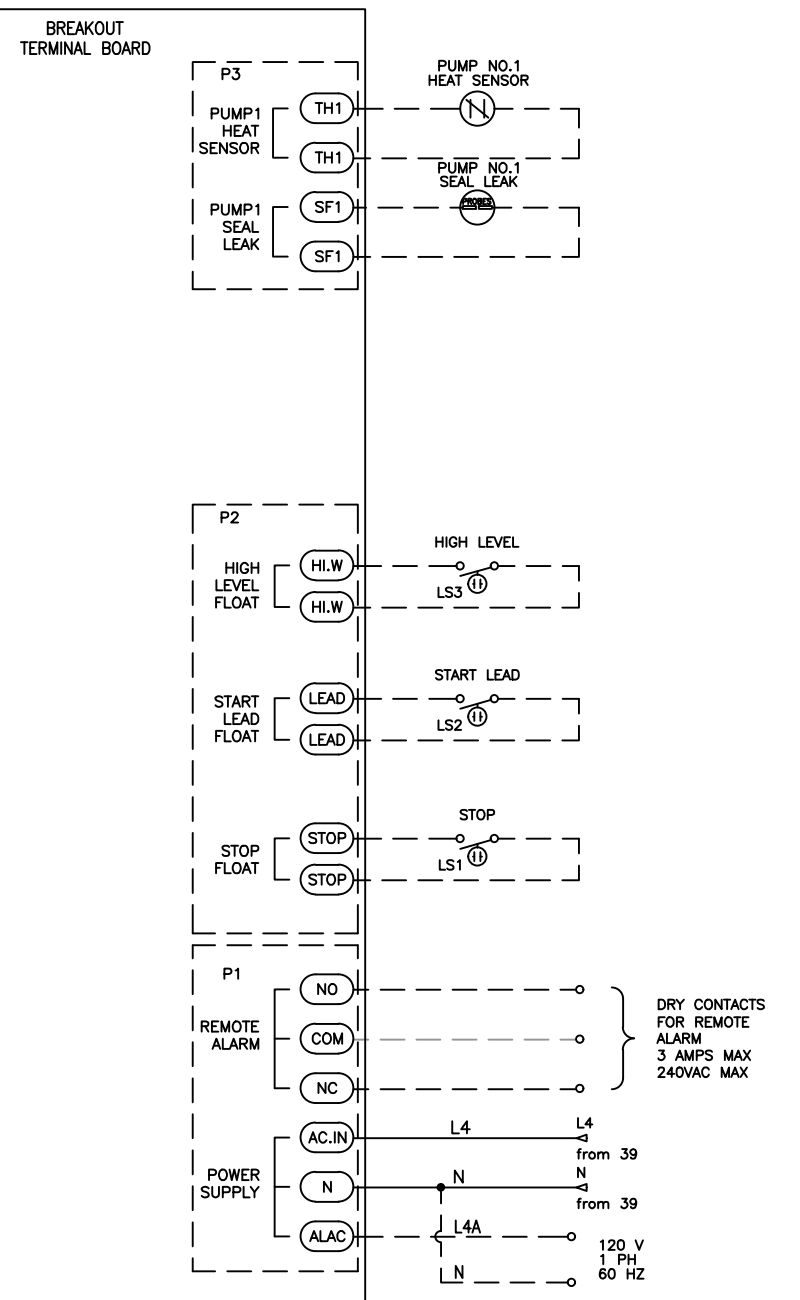
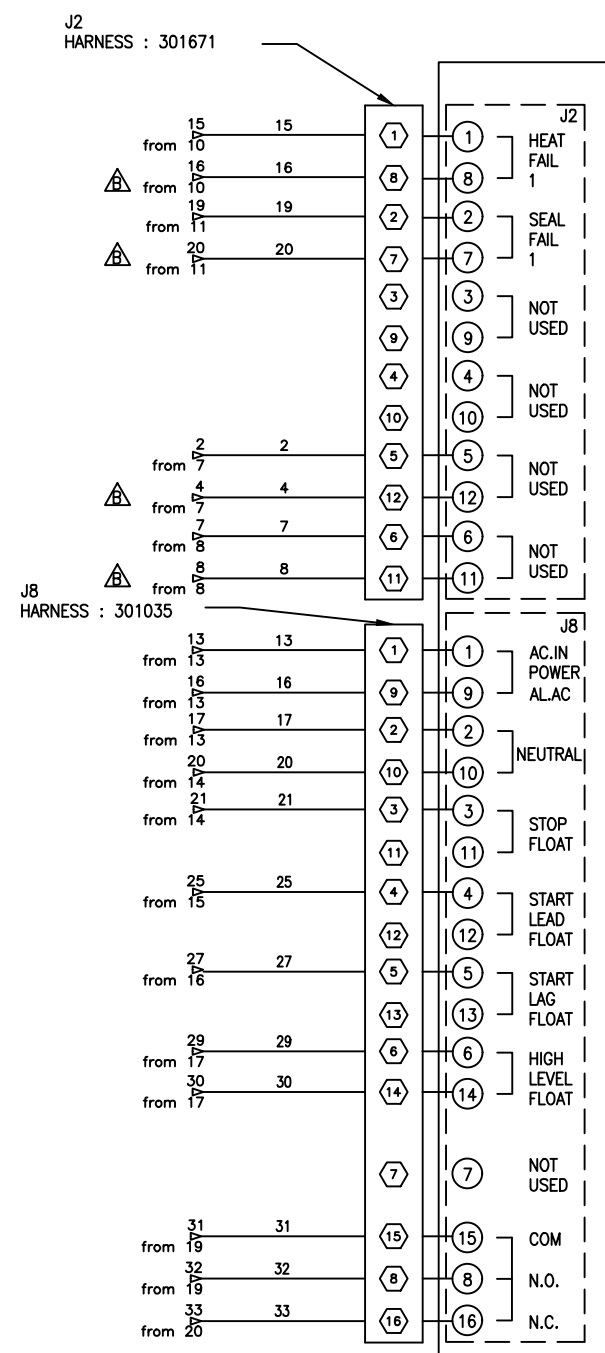
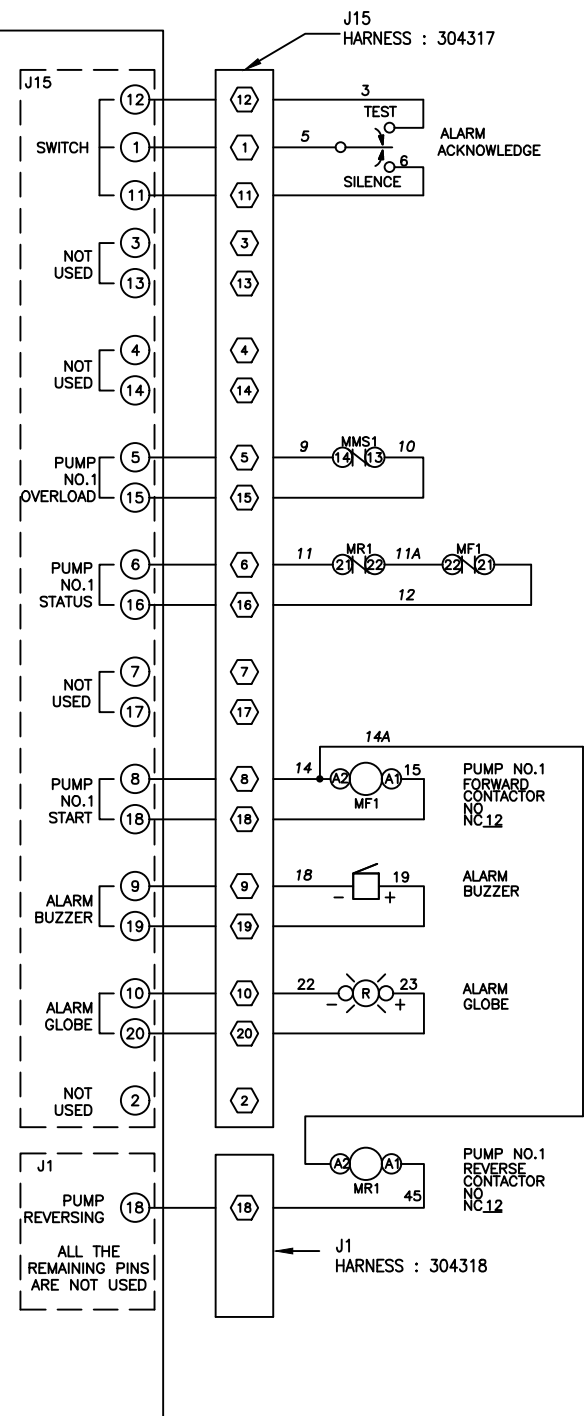
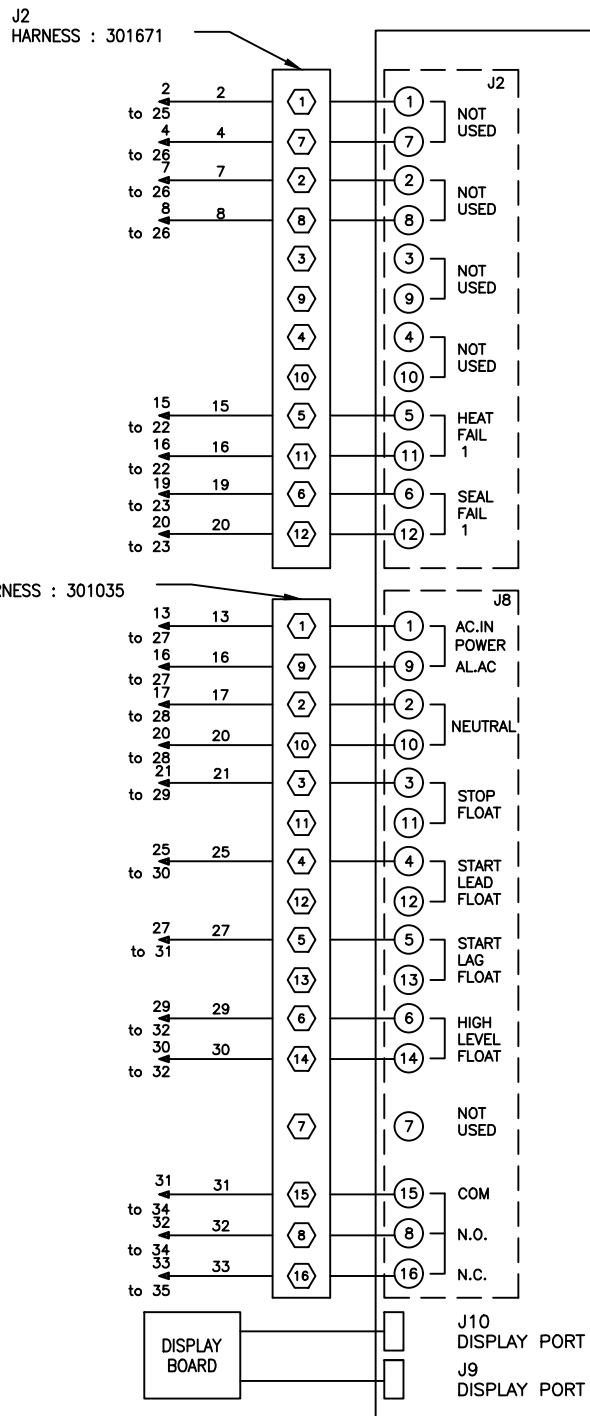
TULSAR END ITEM#
EPB36D2-0001
EPB36E2-0001
EPB36F2-0001

- NOTES:**
1. CUSTOMER WIRING INDICATED BY DASHED LINES.
 2. TIGHTENING TORQUE SPECIFIED IN "TORQUE SETTING" CHART.
 3. WIRE TEMPERATURE RATING TO BE 60°C/140°F MINIMUM.
 4. WIRING TYPE: COPPER AND SUITABLE FOR EXTERNAL HOOKUP
 5. BOTH CONTROL AND ALARM TERMINALS REQUIRE POWER FOR PROPER FUNCTION.
 6. REMOVE JUMPER IF HEAT SENSOR IS USED.
 7. FUSE 2 (TRANSFORMER 1) CONNECTED INTERNALLY.

DRAWING DESCRIPTION: PIVOT PRO+ 3PH SIMPLEX REVERSING CIRCUITRY W/600V TRANSFORMER & H+S WIRING DIAGRAM		NUMBERS ENCLOSED IN A CIRCLE: ①, ② ARE CRITICAL TO QUALITY (CTQ) ITEMS. THIS INDICATES A CRUCIAL SPECIFICATION THAT MUST BE ROUTINELY VERIFIED.	
TOLERANCES: X ±.1 XX ±.03 XXX ±.010		©COPYRIGHT, 2023 : ALL RIGHTS RESERVED BY ZOELLER.	
DRAFTER: PRAPISOORN Y.		DATE: 09/23/22	
DRAWING NUMBER: 304468		PART NUMBER: 304468	
SHEET: 1 OF 3		PART REVISION: A	

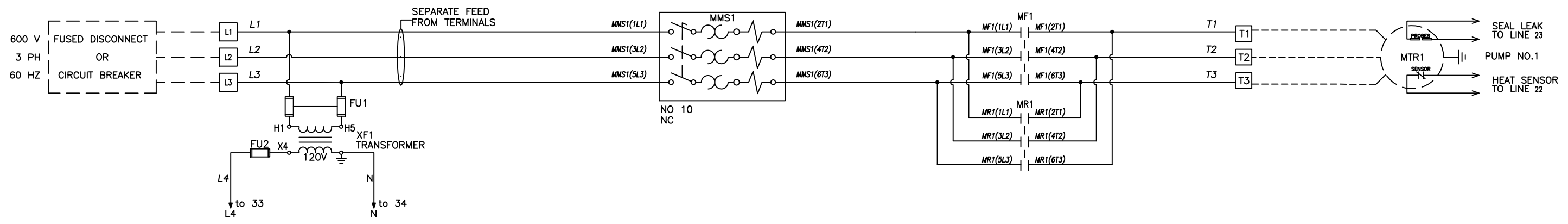


1
2
3
4
5
6
7
8
9
10
11
12
13
14
15
16
17
18
19
20
21
22
23
24
25
26
27
28
29
30
31
32
33
34
35



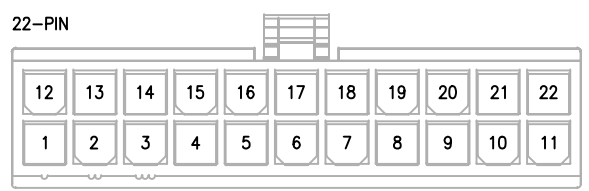
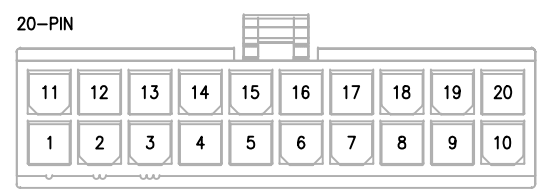
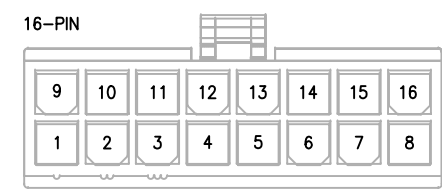
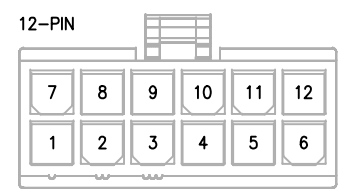
TERMINAL LEGEND
◻ DENOTE MOLEX PIN

NOTE:
TERMINAL (AC.IN) AND TERMINAL (ALAC) ARE JUMPED BY FACTORY DEFAULT. REMOVE JUMPER TO PROVIDE EXTERNAL 120VAC SUPPLY FOR ALARMS.



36
37
38
39
40
41
42
43
44
45
46
47
48
49
50
51
52
53
54
55

MOLEX DETAILS



TERMINAL LEGEND
□ DENOTE LOCAL TERMINAL