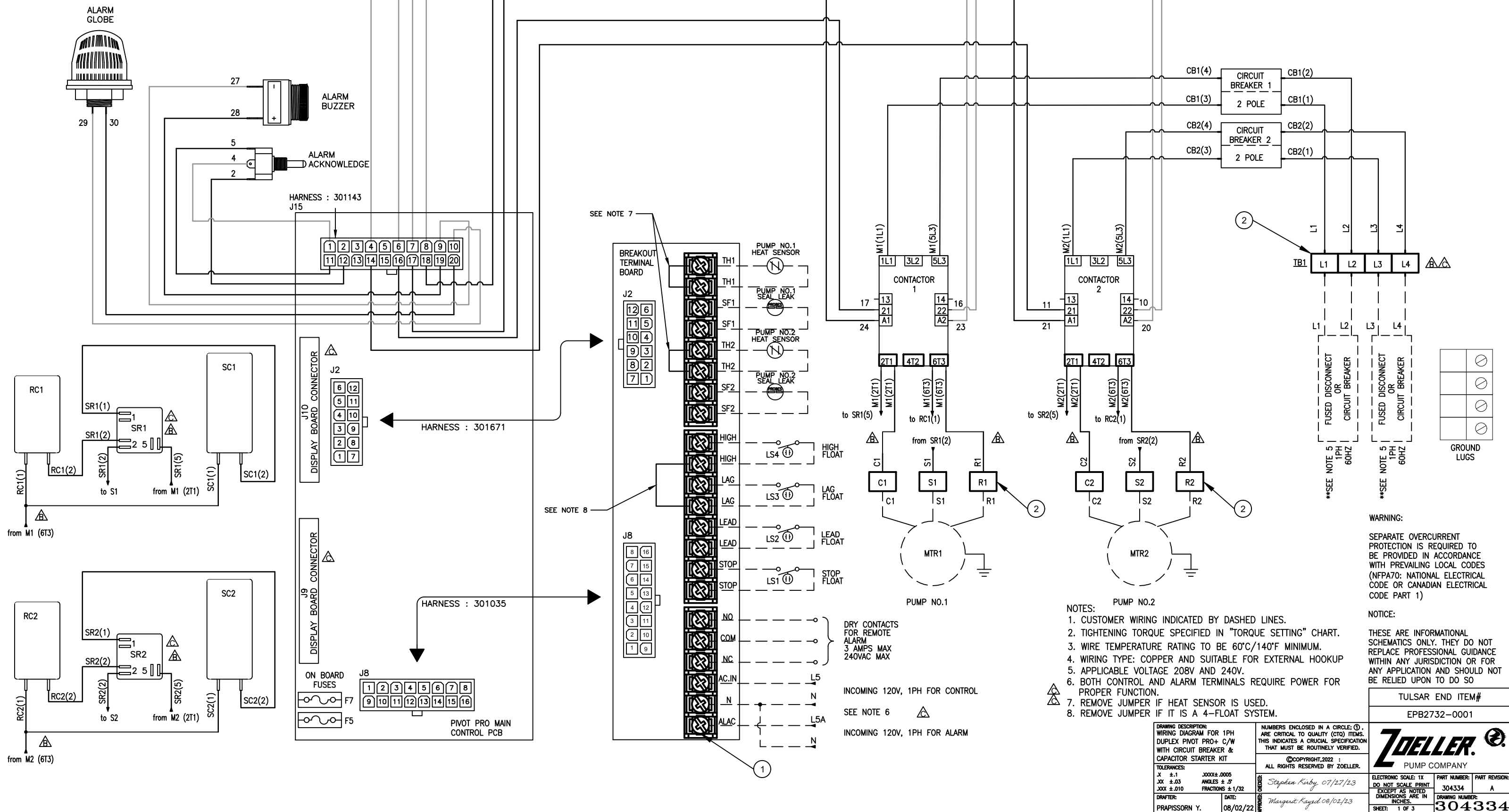


CUSTOMER TORQUE SETTING		
NUMBER	COMPONENT	TORQUE
1	BREAKOUT TERMINAL BOARD	0.82 N.m. 7.3 lb-in
2	TERMINAL BLOCK 16mm <sup>2</sup> -CROSS SECTION	2.5-3 N.m. 22.1-26.5 lb-in

DRAWING REVISIONS				
LTR	BY	DATE	ECO #	DESCRIPTION
△	PY	08/02/22	11503	RELEASE
B	PY	11/17/22	11554	WIRING UPDATED
C	HK	05/29/23	11605	DRAWING UPDATES



1  
2  
3  
4  
5  
6  
7  
8  
9  
10  
11  
12  
13  
14  
15  
16  
17  
18  
19  
20

21  
22  
23  
24  
25  
26  
27  
28  
29  
30  
31  
32  
33  
34  
35

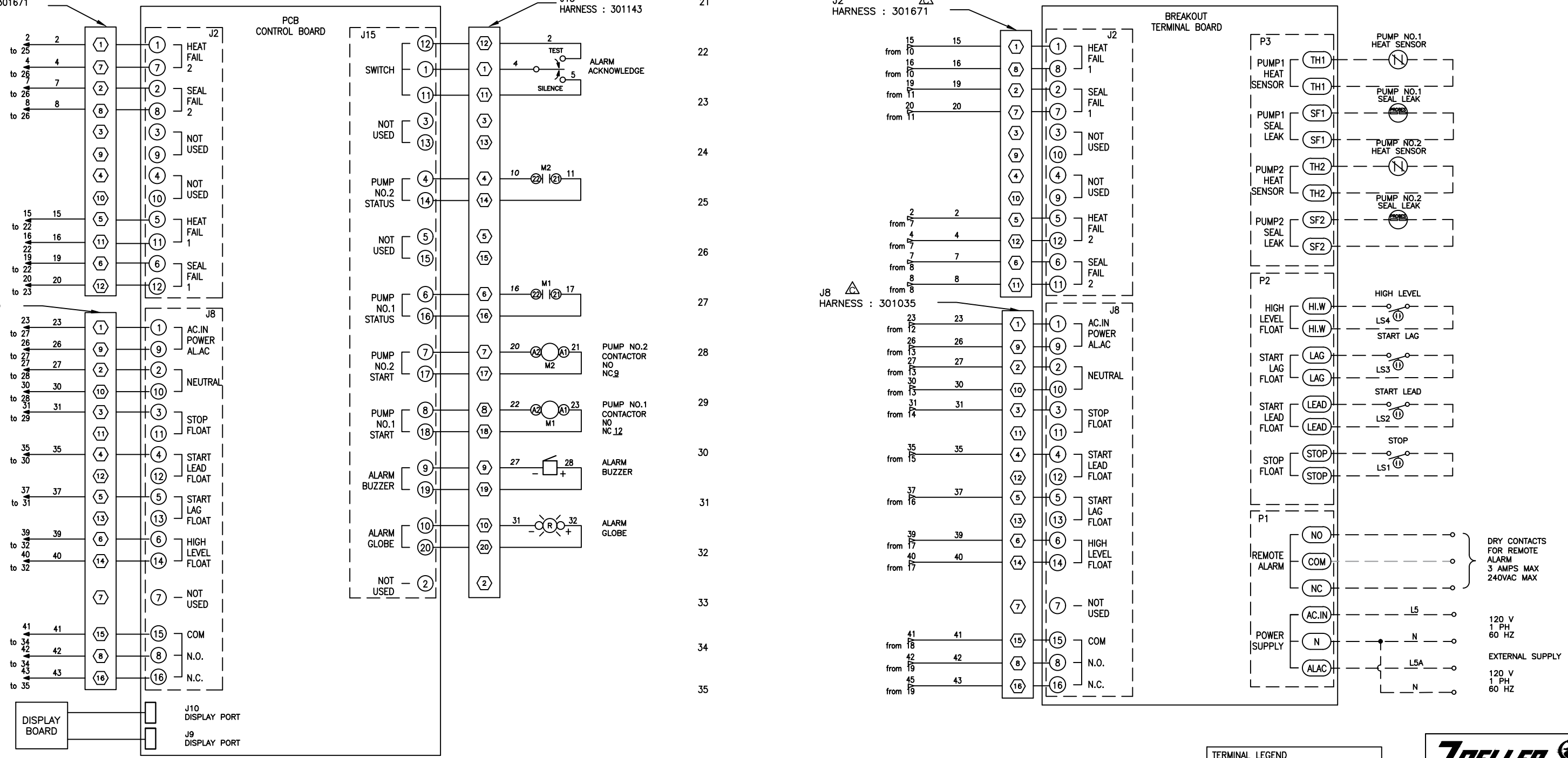
J2 HARNESS : 301671

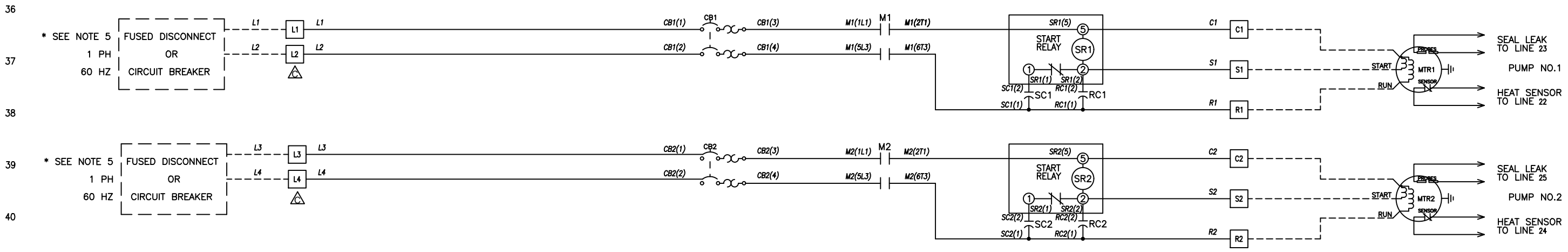
J8 HARNESS : 301035

J15 HARNESS : 301143

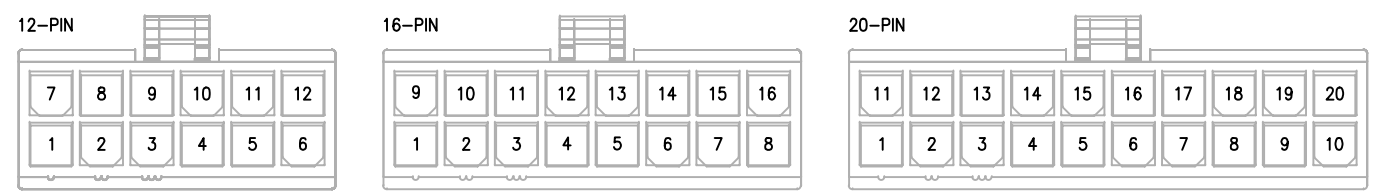
J2 HARNESS : 301671

J8 HARNESS : 301035





MOLEX DETAILS



TERMINAL LEGEND  
□ DENOTE LOCAL TERMINAL

**ZOELLER** PUMP COMPANY

THIS SHEET MUST BE ACCOMPANIED BY ALL RELATED SHEETS.  
SHEET: 3 OF 3

DRAWING NUMBER:  
**304334**