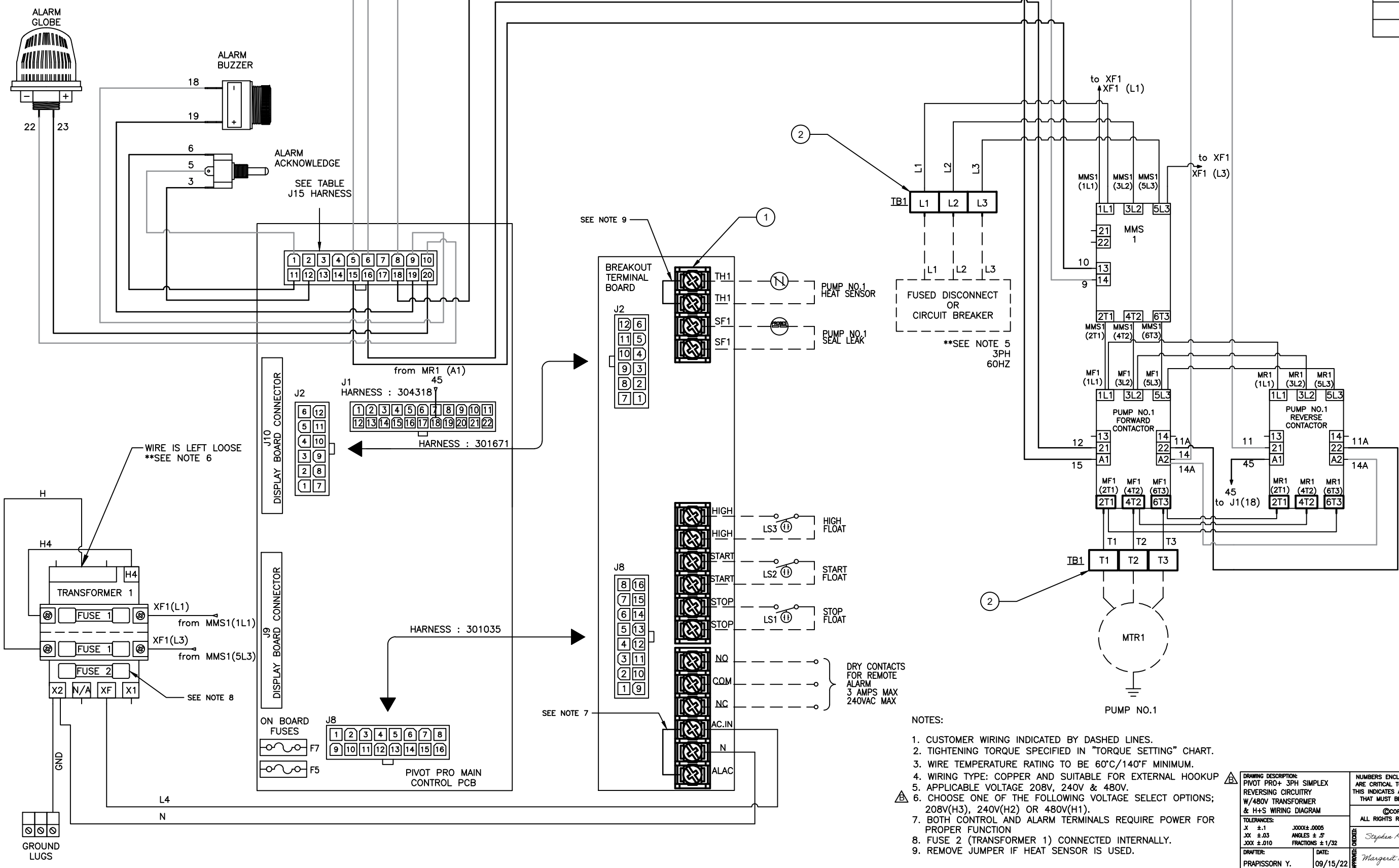


DRAWING REVISIONS				
LTR	BY	DATE	ECO #	DESCRIPTION
△	PY	02/14/23	11481	RELEASE
□	PY	05/29/23	11605	FORMAT UPDATES

CUSTOMER TORQUE SETTING		
NUMBER	COMPONENT	TORQUE
1	BREAKOUT TERMINAL BOARD	0.82 N.m. 7.3 lb-in
2	TERMINAL BLOCK 6mm ² -CROSS SECTION	1.5-1.8 N.m. 13.3-15.9 lb-in
	TERMINAL BLOCK 16mm ² -CROSS SECTION	2.5-3 N.m. 22.1-26.5 lb-in

J15 HARNESSES	
ENCLOSURE SIZE	HARNESS #
16"X14"X7"	304317
18"X16"X10"	304324



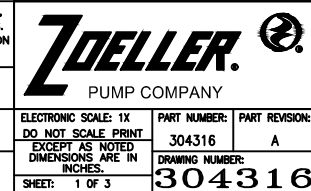
WARNING:
SEPARATE OVERCURRENT PROTECTION IS REQUIRED TO BE PROVIDED IN ACCORDANCE WITH PREVAILING LOCAL CODES (NFPA70: NATIONAL ELECTRICAL CODE OR CANADIAN ELECTRICAL CODE PART 1)

NOTICE:
THESE ARE INFORMATIONAL SCHEMATICS ONLY. THEY DO NOT REPLACE PROFESSIONAL GUIDANCE WITHIN ANY JURISDICTION OR FOR ANY APPLICATION AND SHOULD NOT BE RELIED UPON TO DO SO

- NOTES:**
- CUSTOMER WIRING INDICATED BY DASHED LINES.
 - TIGHTENING TORQUE SPECIFIED IN "TORQUE SETTING" CHART.
 - WIRE TEMPERATURE RATING TO BE 60°C/140°F MINIMUM.
 - WIRING TYPE: COPPER AND SUITABLE FOR EXTERNAL HOOKUP
 - APPLICABLE VOLTAGE 208V, 240V & 480V.
 - CHOOSE ONE OF THE FOLLOWING VOLTAGE SELECT OPTIONS; 208V(H3), 240V(H2) OR 480V(H1).
 - BOTH CONTROL AND ALARM TERMINALS REQUIRE POWER FOR PROPER FUNCTION
 - FUSE 2 (TRANSFORMER 1) CONNECTED INTERNALLY.
 - REMOVE JUMPER IF HEAT SENSOR IS USED.

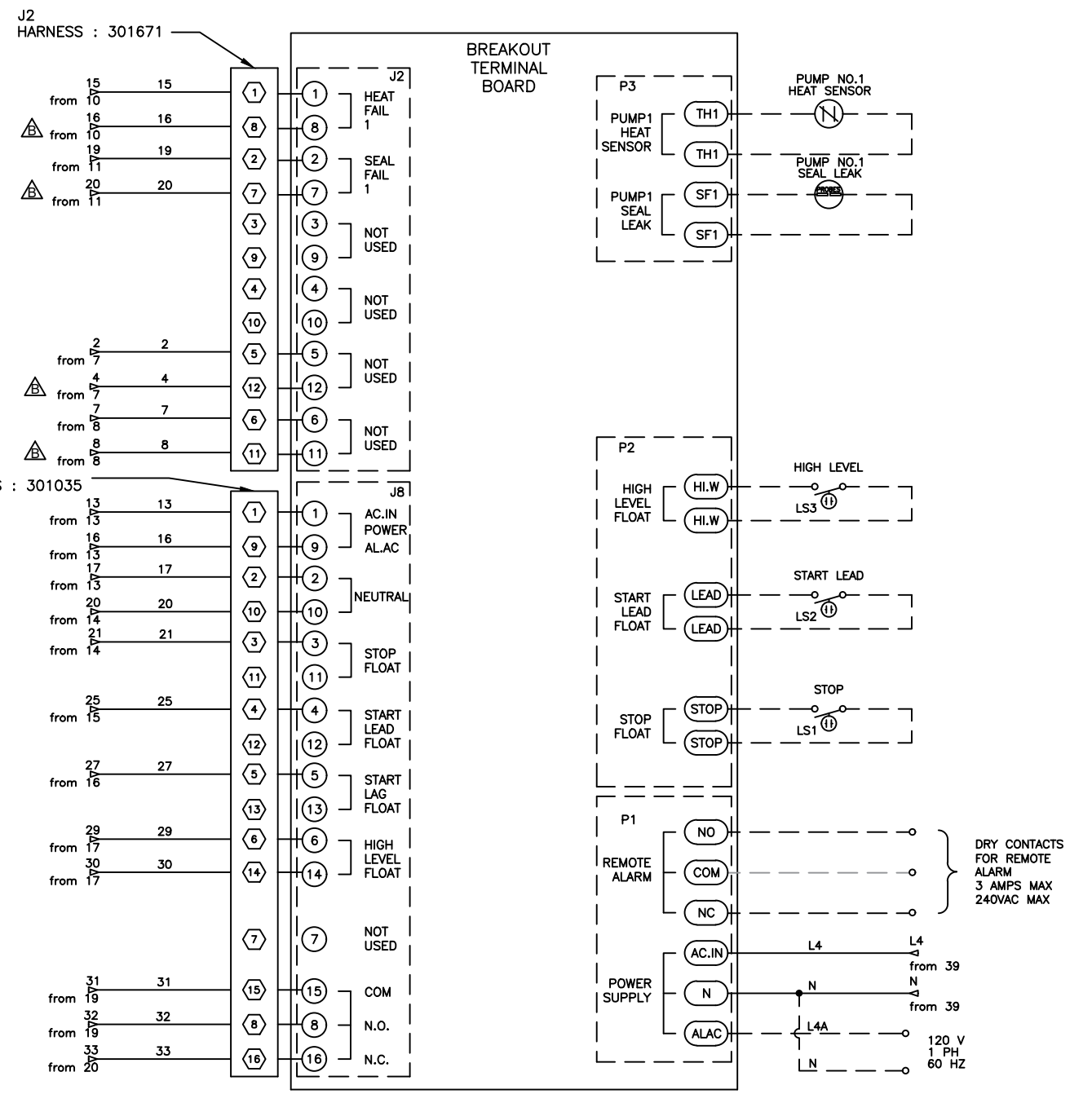
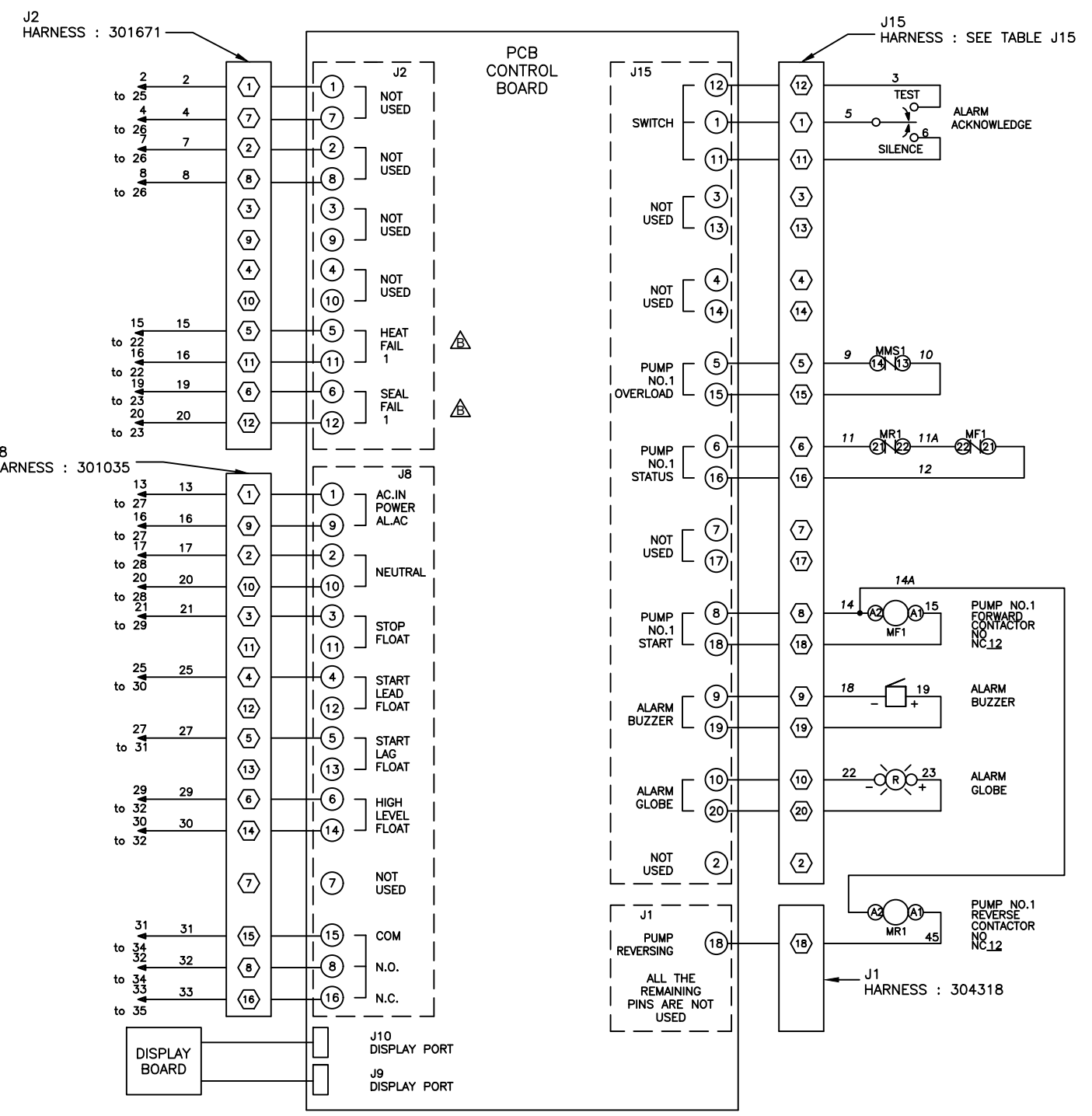
DRAWING DESCRIPTION: PIVOT PRO+ 3PH SIMPLEX REVERSING CIRCUITRY W/480V TRANSFORMER & H+S WIRING DIAGRAM		NUMBERS ENCLOSED IN A CIRCLE (1, 2) ARE CRITICAL TO QUALITY (CTQ) ITEMS. THIS INDICATES A CRUCIAL SPECIFICATION THAT MUST BE ROUTINELY VERIFIED.	
TOLERANCES: X ±.1 XX ±.03 XXX ±.010		©COPYRIGHT, 2023 : ALL RIGHTS RESERVED BY ZOELLER.	
DRAFTER: PRAPISSORN Y.		DATE: 09/15/22	
STEPHEN KIRBY 07/26/23		MARGARET KAYED 08/02/23	
ELECTRONIC SCALE: 1X DO NOT SCALE PRINT EXCEPT AS NOTED DIMENSIONS ARE IN INCHES.		PART NUMBER: 304316 PART REVISION: A DRAWING NUMBER: 304316 SHEET: 1 OF 3	

TULSAR END ITEM#
EPB34D2-0001
EPB34E2-0001
EPB34F2-0001
EPB34G2-0001
EPB34H2-0001
EPB34Q2-0001
EPB34R2-0001



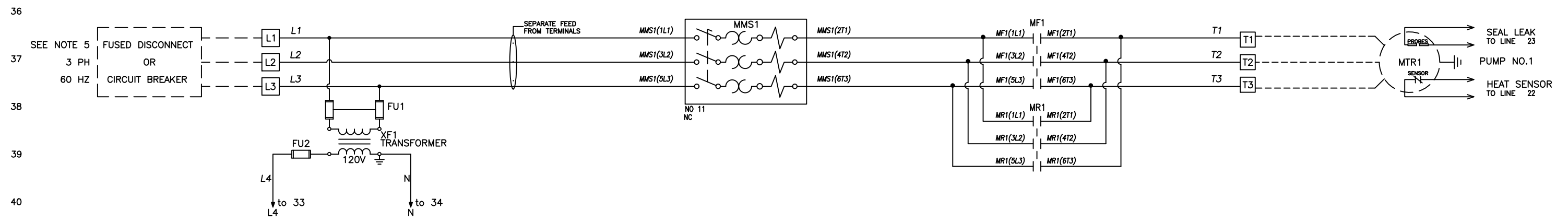
1
2
3
4
5
6
7
8
9
10
11
12
13
14
15
16
17
18
19
20

21
22
23
24
25
26
27
28
29
30
31
32
33
34
35



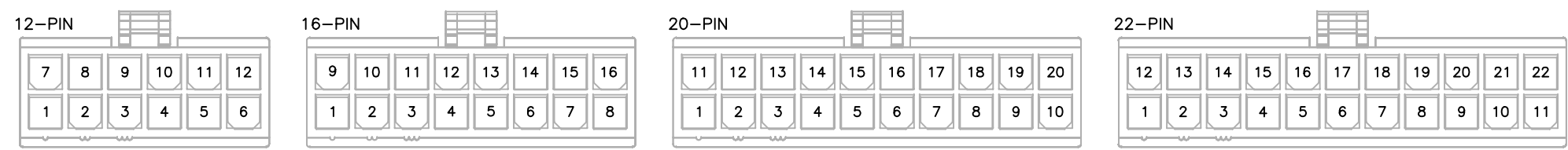
NOTE: TERMINAL (AC.IN) AND TERMINAL (ALAC) ARE JUMPED BY FACTORY DEFAULT. REMOVE JUMPER TO PROVIDE EXTERNAL 120VAC SUPPLY FOR ALARMS.

TERMINAL LEGEND
◻ DENOTE MOLEX PIN



36
37
38
39
40
41
42
43
44
45
46
47
48
49
50
51
52
53
54
55

MOLEX DETAILS



TERMINAL LEGEND
□ DENOTE LOCAL TERMINAL

ZOELLER PUMP COMPANY

THIS SHEET MUST BE ACCOMPANIED BY ALL RELATED SHEETS.
DRAWING NUMBER: 304316
SHEET: 3 OF 3