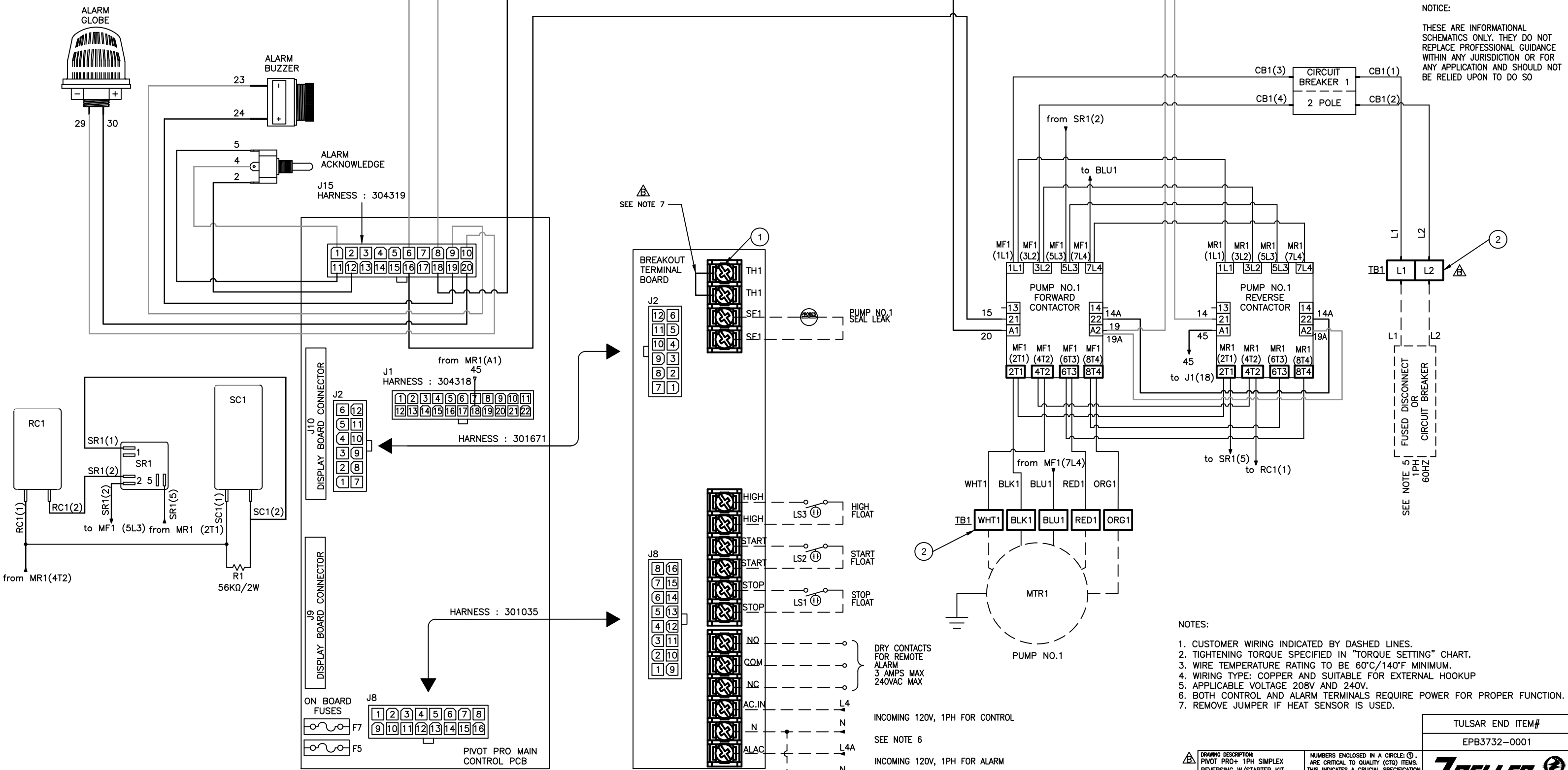


DRAWING REVISIONS				
LTR	BY	DATE	ECO #	DESCRIPTION
A	PY	03/14/23	11481	RELEASE
B	PY	05/29/23	11605	FORMAT UPDATES

CUSTOMER TORQUE SETTING		
NUMBER	COMPONENT	TORQUE
1	BREAKOUT TERMINAL BOARD	0.82 N.m. 7.3 lb-in
2	TERMINAL BLOCK 6mm ² -CROSS SECTION	1.5-1.8 N.m. 13.3-15.9 lb-in

WARNING:
SEPARATE OVERCURRENT PROTECTION IS REQUIRED TO BE PROVIDED IN ACCORDANCE WITH PREVAILING LOCAL CODES (NFPA70: NATIONAL ELECTRICAL CODE OR CANADIAN ELECTRICAL CODE PART 1)

NOTICE:
THESE ARE INFORMATIONAL SCHEMATICS ONLY. THEY DO NOT REPLACE PROFESSIONAL GUIDANCE WITHIN ANY JURISDICTION OR FOR ANY APPLICATION AND SHOULD NOT BE RELIED UPON TO DO SO



- NOTES:**
- CUSTOMER WIRING INDICATED BY DASHED LINES.
 - TIGHTENING TORQUE SPECIFIED IN "TORQUE SETTING" CHART.
 - WIRE TEMPERATURE RATING TO BE 60°C/140°F MINIMUM.
 - WIRING TYPE: COPPER AND SUITABLE FOR EXTERNAL HOOKUP
 - APPLICABLE VOLTAGE 208V AND 240V.
 - BOTH CONTROL AND ALARM TERMINALS REQUIRE POWER FOR PROPER FUNCTION.
 - REMOVE JUMPER IF HEAT SENSOR IS USED.

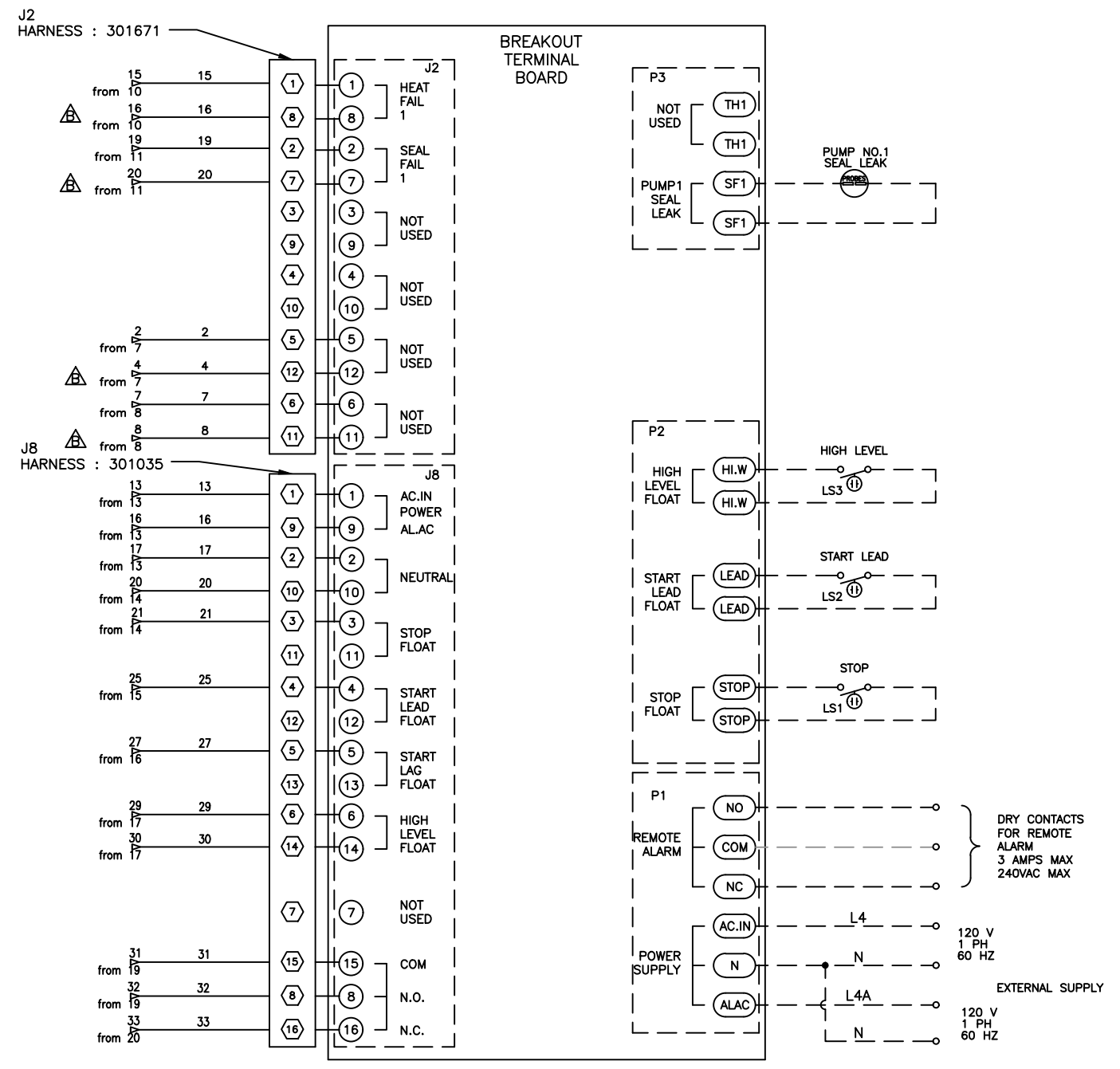
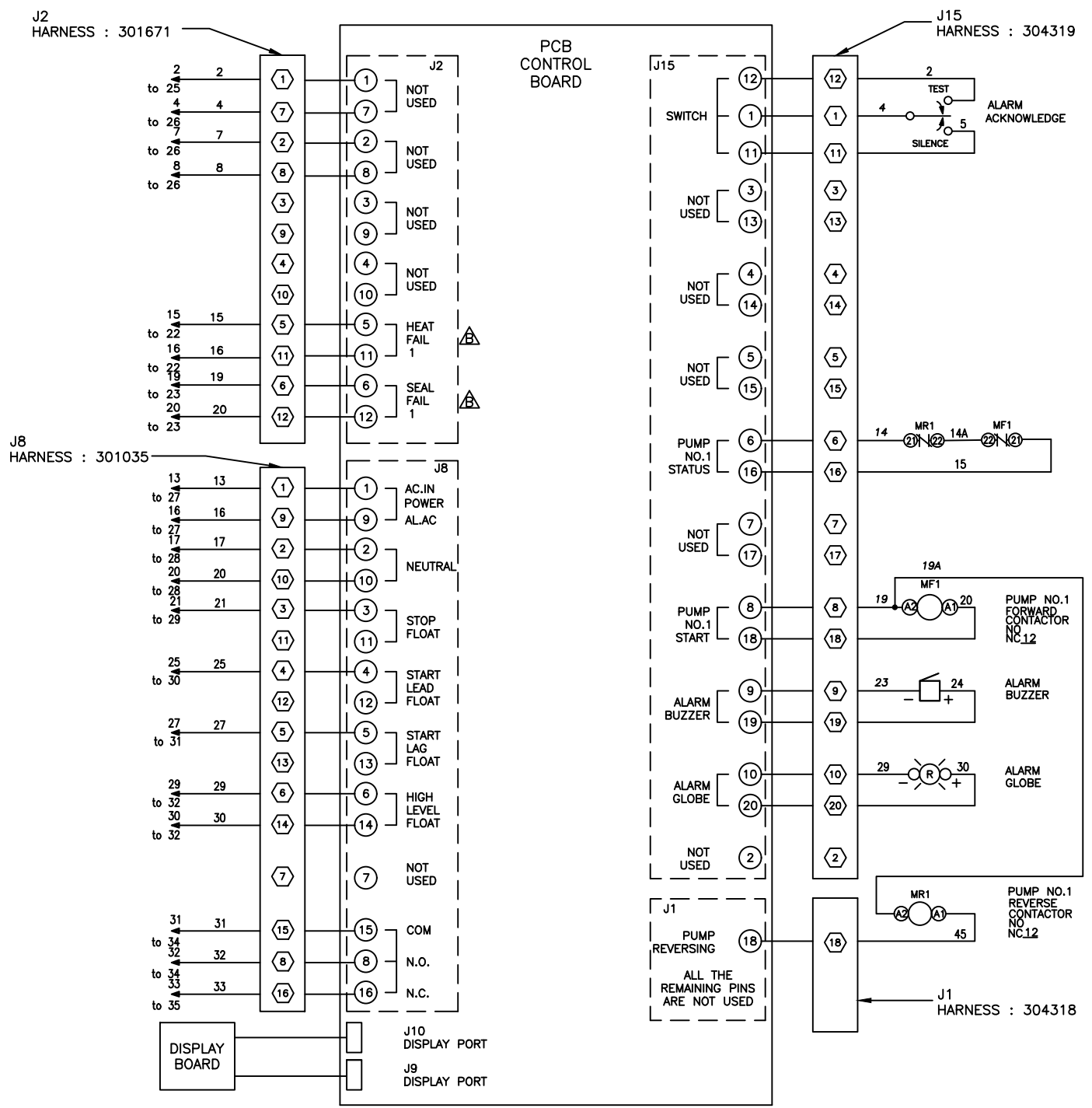
GROUND LUGS

DRAWING DESCRIPTION: PIVOT PRO+ 1PH SIMPLEX REVERSING W/STARTER KIT CIRCUIT BREAKER		NUMBERS ENCLOSED IN A CIRCLE (○), ARE CRITICAL TO QUALITY (CQ) ITEMS. THIS INDICATES A CRUCIAL SPECIFICATION THAT MUST BE ROUTINELY VERIFIED.	
TOLERANCES: X ±.1 XX ±.03 XXX ±.010		©COPYRIGHT, 2023 : ALL RIGHTS RESERVED BY TULSAR.	
DRAFTER: PRAPISSORN Y.		DATE: 09/12/22	
DRAWING NUMBER: 304315		SHEET: 1 OF 3	

ZOELLER
PUMP COMPANY

TULSAR END ITEM#
EPB3732-0001

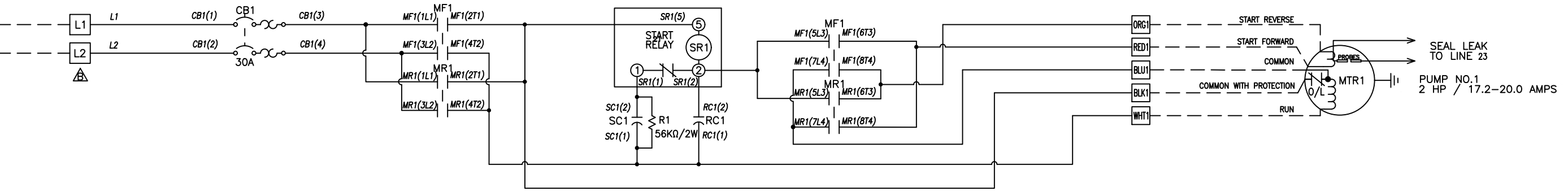
1
2
3
4
5
6
7
8
9
10
11
12
13
14
15
16
17
18
19
20
21
22
23
24
25
26
27
28
29
30
31
32
33
34
35



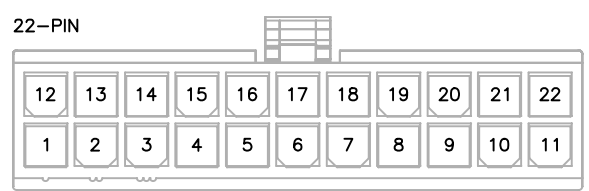
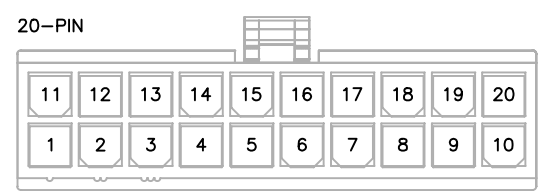
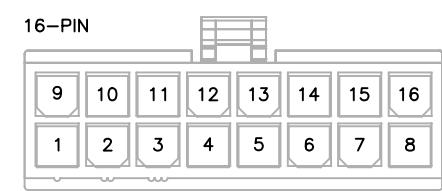
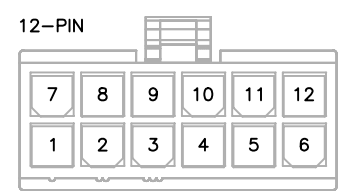
TERMINAL LEGEND
 DENOTE MOLEX PIN

36
37
38
39
40
41
42
43
44
45
46
47
48
49
50
51
52
53
54
55

SEE NOTE 5
1 PH
60 HZ



MOLEX DETAILS



TERMINAL LEGEND
□ DENOTE LOCAL TERMINAL

ZOELLER PUMP COMPANY
THIS SHEET MUST BE ACCOMPANIED BY ALL RELATED SHEETS.
DRAWING NUMBER: 304315
SHEET: 3 OF 3