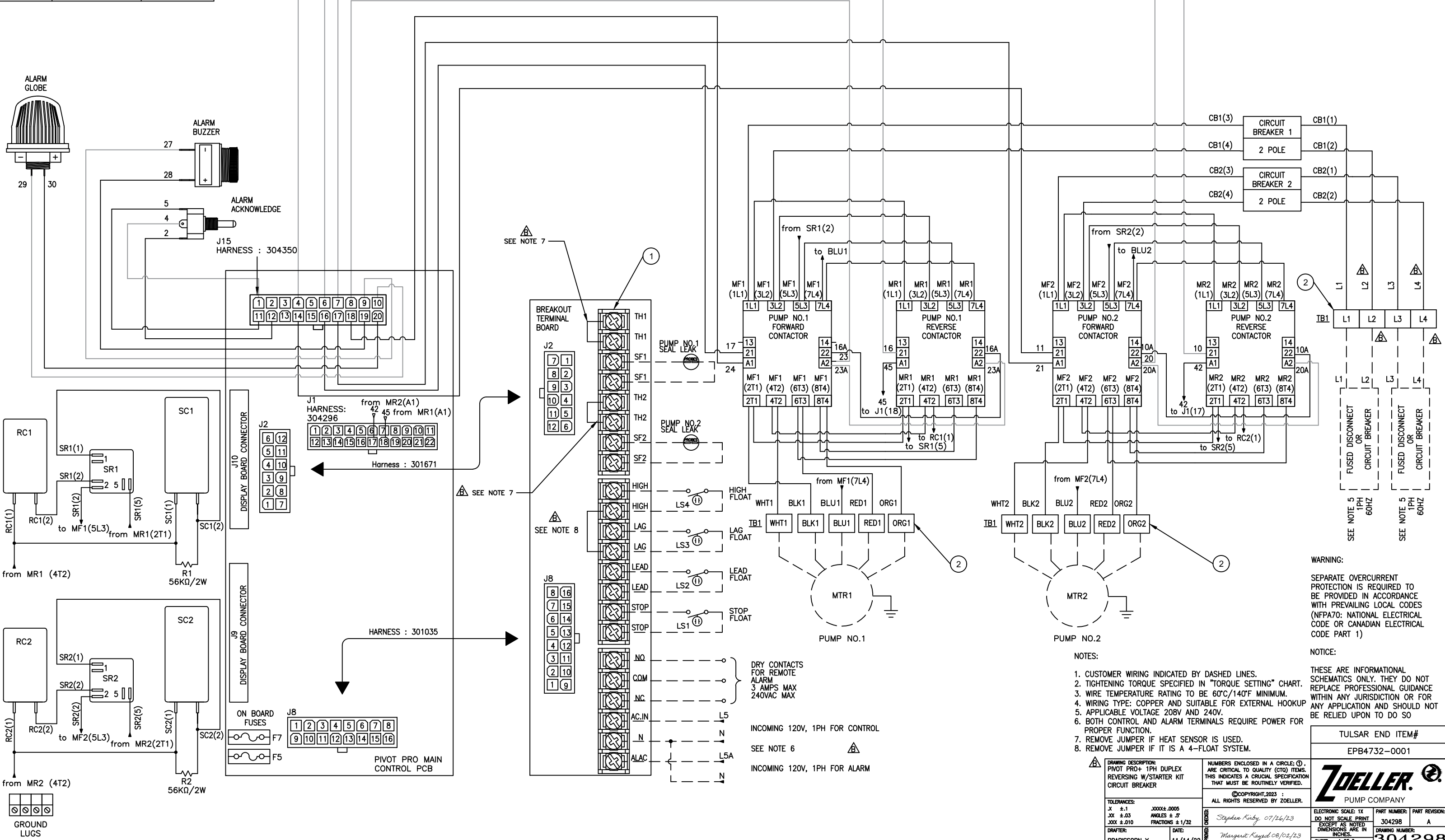


DRAWING REVISIONS			
LTR	BY	DATE	ECO # / DESCRIPTION
A	PY	02/14/23	11481 RELEASE
B	PY	05/29/23	11605 FORMAT UPDATES

CUSTOMER TORQUE SETTING		
NUMBER	COMPONENT	TORQUE
1	BREAKOUT TERMINAL BOARD	0.82 N.m. 7.3 lb-in
2	TERMINAL BLOCK 6mm <sup>2</sup> -CROSS SECTION	1.5-1.8 N.m. 13.3-15.9 lb-in



**WARNING:**  
SEPARATE OVERCURRENT PROTECTION IS REQUIRED TO BE PROVIDED IN ACCORDANCE WITH PREVAILING LOCAL CODES (NFPA70: NATIONAL ELECTRICAL CODE OR CANADIAN ELECTRICAL CODE PART 1)

- NOTES:**
- CUSTOMER WIRING INDICATED BY DASHED LINES.
  - TIGHTENING TORQUE SPECIFIED IN "TORQUE SETTING" CHART.
  - WIRE TEMPERATURE RATING TO BE 60°C/140°F MINIMUM.
  - WIRING TYPE: COPPER AND SUITABLE FOR EXTERNAL HOOKUP
  - APPLICABLE VOLTAGE 208V AND 240V.
  - BOTH CONTROL AND ALARM TERMINALS REQUIRE POWER FOR PROPER FUNCTION.
  - REMOVE JUMPER IF HEAT SENSOR IS USED.
  - REMOVE JUMPER IF IT IS A 4-FLOAT SYSTEM.

**NOTICE:**  
THESE ARE INFORMATIONAL SCHEMATICS ONLY. THEY DO NOT REPLACE PROFESSIONAL GUIDANCE WITHIN ANY JURISDICTION OR FOR ANY APPLICATION AND SHOULD NOT BE RELIED UPON TO DO SO

TULSAR END ITEM#  
EPB4732-0001

**ZOELLER**  
PUMP COMPANY

*Stephen Kirby* 07/26/23  
DATE: 11/14/22

ELECTRONIC SCALE: 1X  
DO NOT SCALE PRINT  
EXCEPT AS NOTED  
DIMENSIONS ARE IN INCHES.

PART NUMBER: 304298  
PART REVISION: A  
DRAWING NUMBER: 304298  
SHEET: 1 OF 3

DRAWING DESCRIPTION: PIVOT PRO+ 1PH DUPLEX REVERSING W/STARTER KIT CIRCUIT BREAKER		NUMBERS ENCLOSED IN A CIRCLE (1, 2) ARE CRITICAL TO QUALITY (CTQ) ITEMS. THIS INDICATES A CRUCIAL SPECIFICATION THAT MUST BE ROUTINELY VERIFIED.	
TOLERANCES: X ±.1 XX ±.03 XXX ±.010		FINISHES: XXXX.0005 ANGLES ±.5° FRACTIONS ±1/32	
DRAFTER: PRAPISSORN Y.		DATE: 11/14/22	

SEE NOTE 7

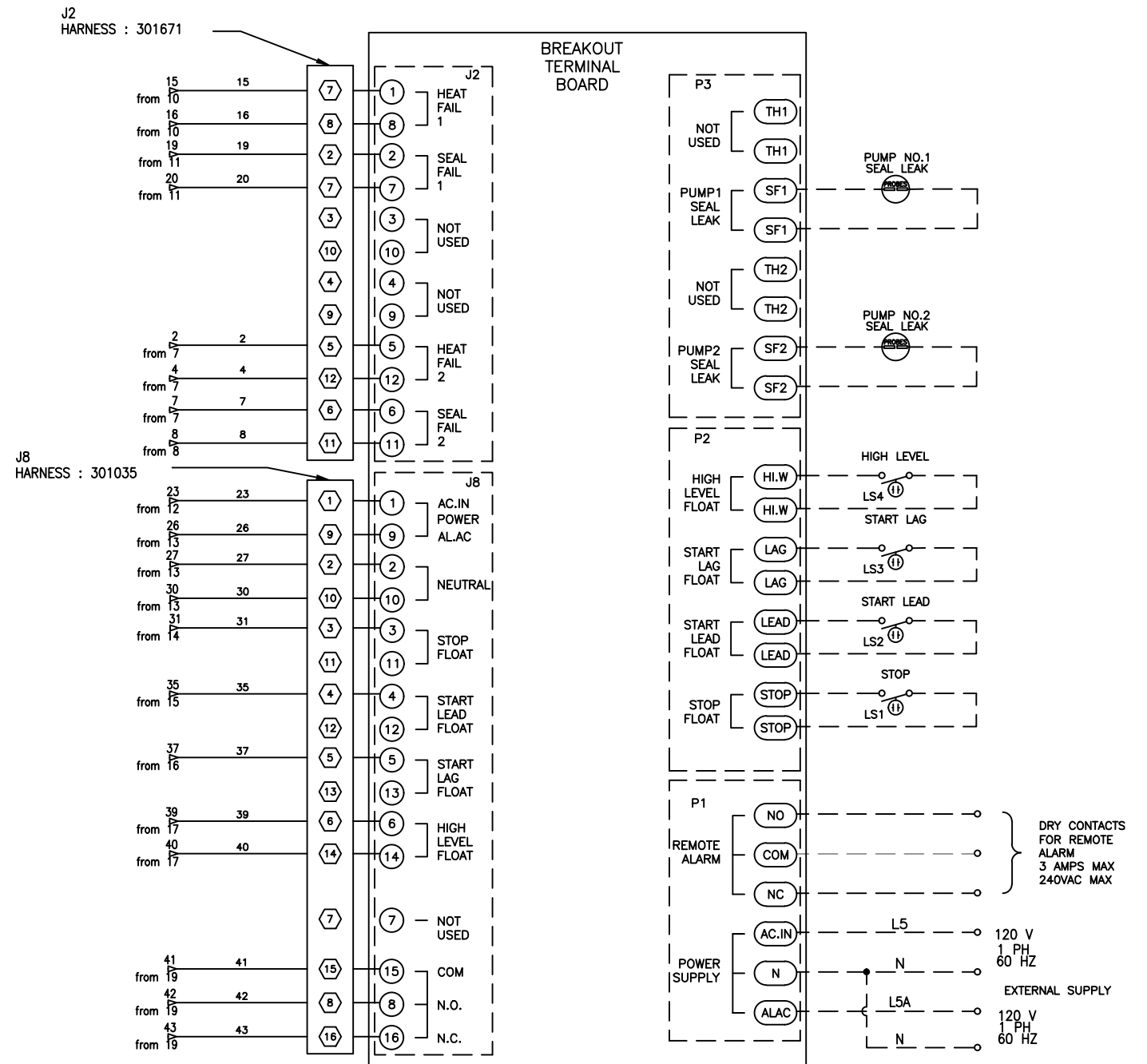
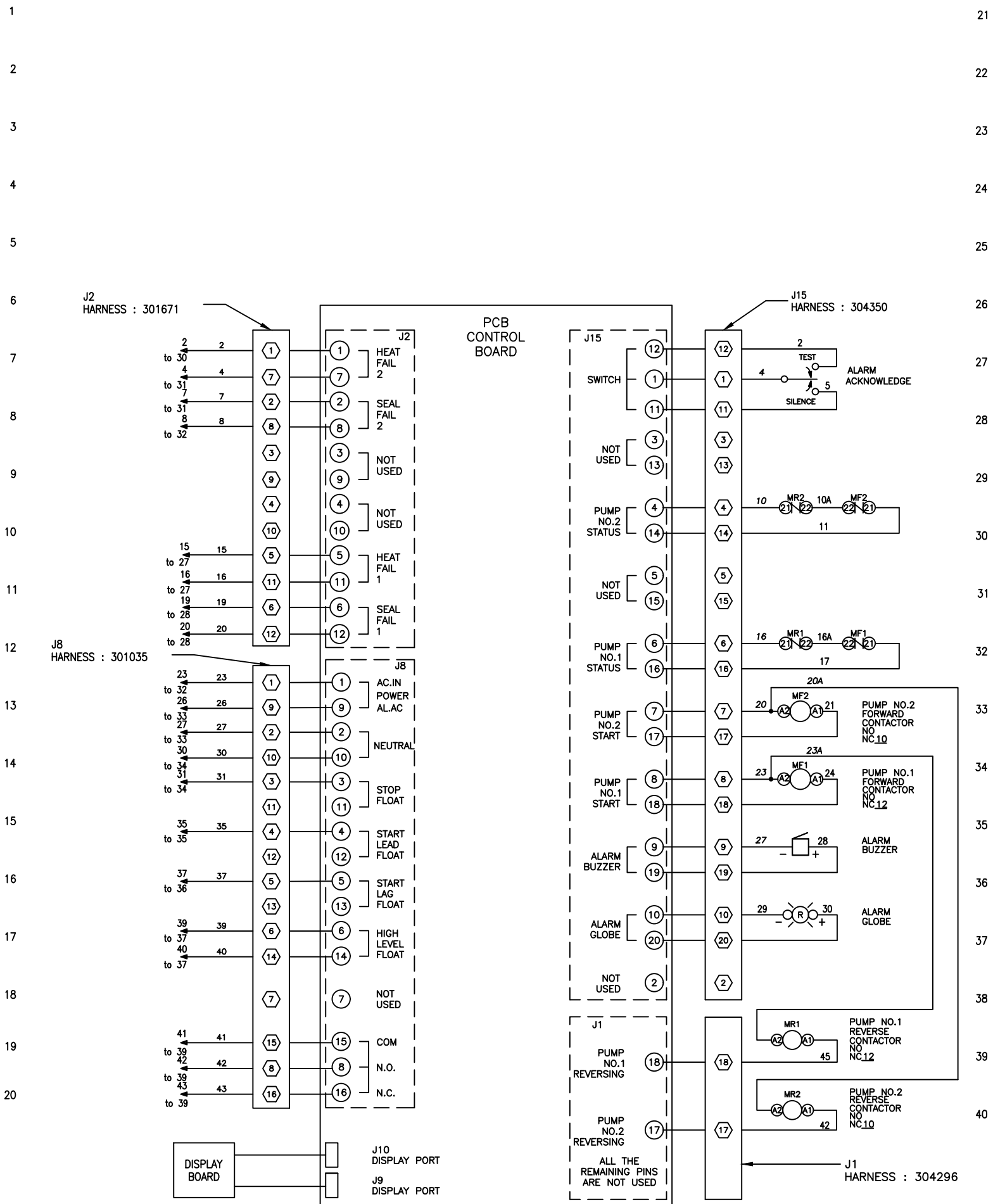
SEE NOTE 8

DRY CONTACTS FOR REMOTE ALARM  
3 AMPS MAX  
240VAC MAX

INCOMING 120V, 1PH FOR CONTROL

INCOMING 120V, 1PH FOR ALARM

GROUND LUGS

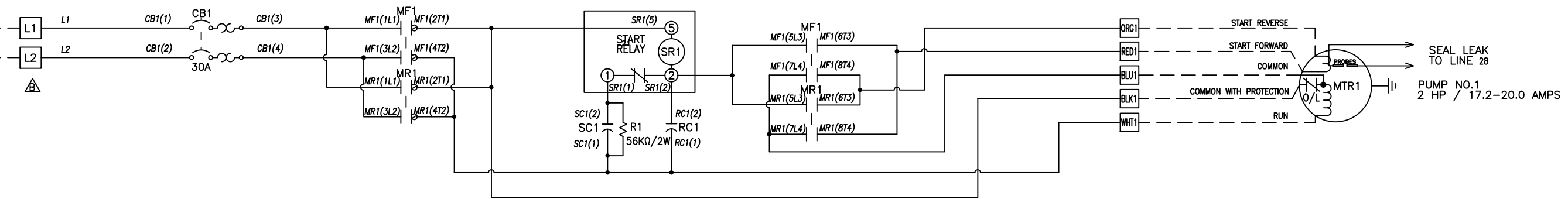


TERMINAL LEGEND  
 Hexagon symbol: DENOTE MOLEX PIN

41  
42  
43  
44  
45  
46  
47  
48  
49  
50  
51  
52  
53  
54  
55  
56  
57  
58  
59  
60

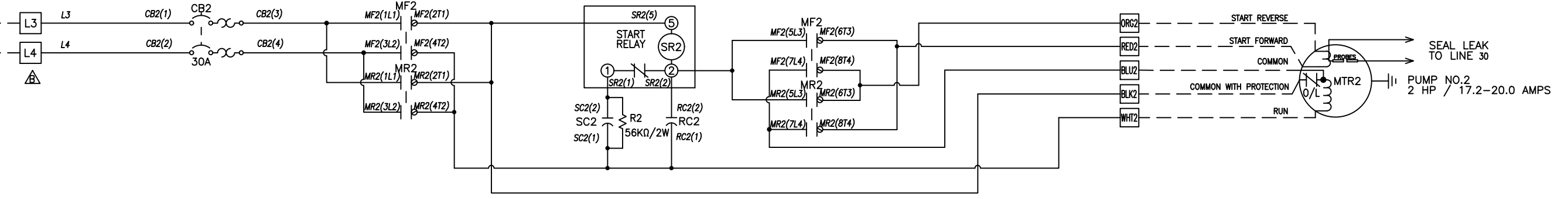
SEE NOTE 5  
1 PH  
60 HZ

FUSED DISCONNECT  
OR  
CIRCUIT BREAKER

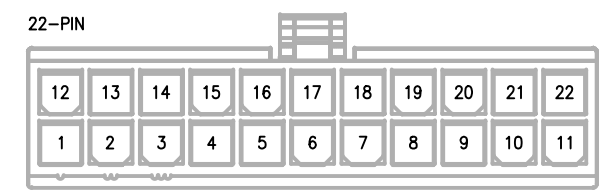
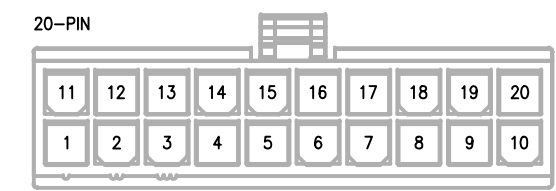
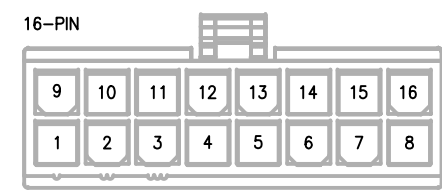
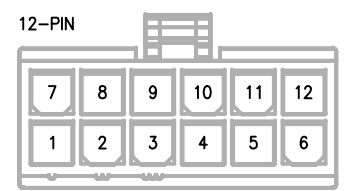


SEE NOTE 5  
1 PH  
60 HZ

FUSED DISCONNECT  
OR  
CIRCUIT BREAKER



MOLEX DETAILS



TERMINAL LEGEND  
□ DENOTE LOCAL TERMINAL