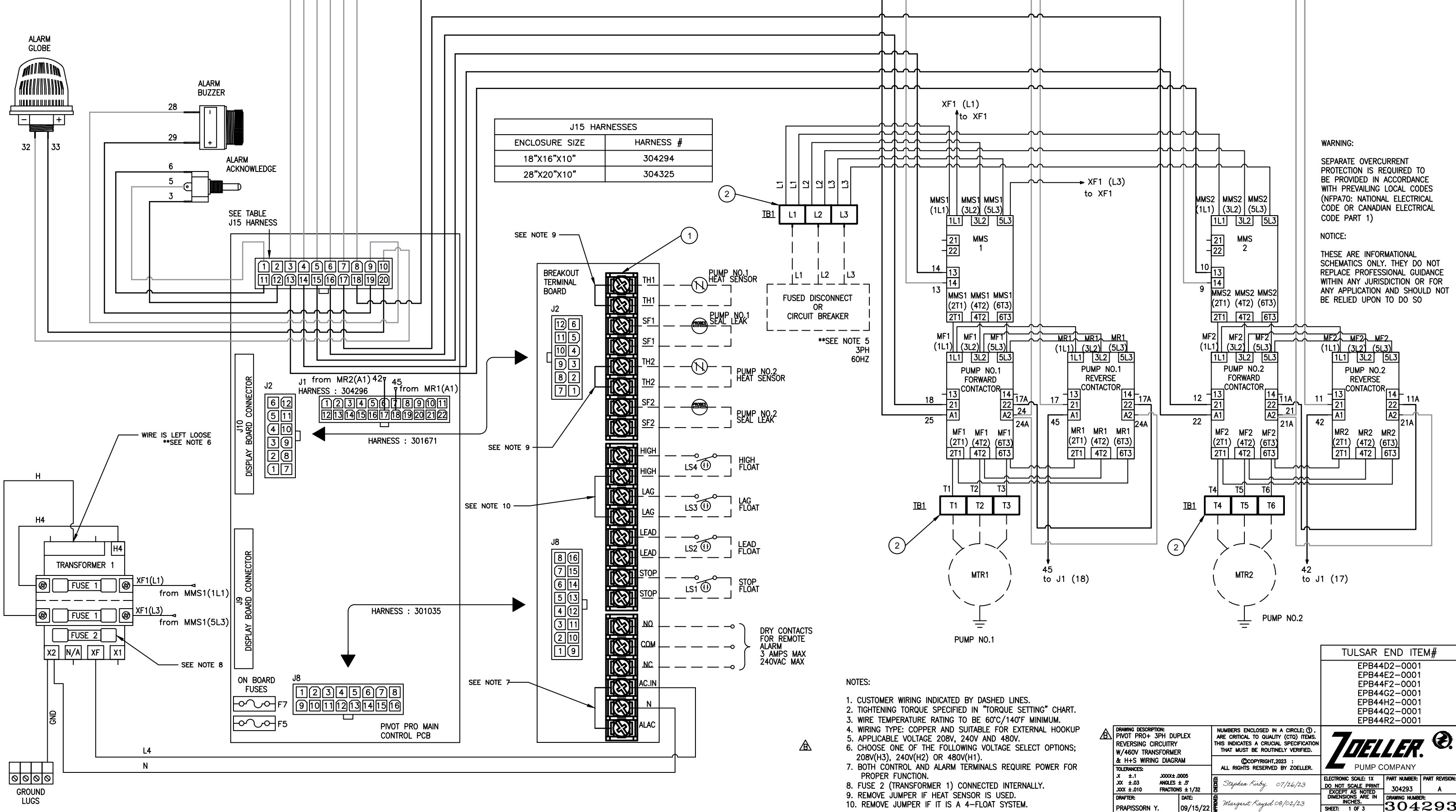


DRAWING REVISIONS			
LTR	BY	DATE	DESCRIPTION
△	PY	02/14/23	11481 RELEASE
△	PY	05/23/23	11605 FORMAT UPDATES

CUSTOMER TORQUE SETTING		
NUMBER	COMPONENT	TORQUE
1	BREAKOUT TERMINAL BOARD	0.82 N.m. 7.3 lb-in
2	TERMINAL BLOCK 6mm <sup>2</sup> -CROSS SECTION	1.5-1.8 N.m. 13.3-15.9 lb-in
	TERMINAL BLOCK 16mm <sup>2</sup> -CROSS SECTION	2.5-3 N.m. 22.1-26.5 lb-in



J15 HARNESSES	
ENCLOSURE SIZE	HARNESS #
18"X16"X10"	304294
28"X20"X10"	304325

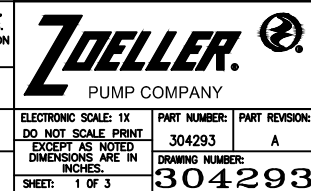
**WARNING:**  
SEPARATE OVERCURRENT PROTECTION IS REQUIRED TO BE PROVIDED IN ACCORDANCE WITH PREVAILING LOCAL CODES (NFPA70: NATIONAL ELECTRICAL CODE OR CANADIAN ELECTRICAL CODE PART 1)

**NOTICE:**  
THESE ARE INFORMATIONAL SCHEMATICS ONLY. THEY DO NOT REPLACE PROFESSIONAL GUIDANCE WITHIN ANY JURISDICTION OR FOR ANY APPLICATION AND SHOULD NOT BE RELIED UPON TO DO SO

- NOTES:**
- CUSTOMER WIRING INDICATED BY DASHED LINES.
  - TIGHTENING TORQUE SPECIFIED IN "TORQUE SETTING" CHART.
  - WIRE TEMPERATURE RATING TO BE 60°C/140°F MINIMUM.
  - WIRING TYPE: COPPER AND SUITABLE FOR EXTERNAL HOOKUP
  - APPLICABLE VOLTAGE 208V, 240V AND 480V.
  - CHOOSE ONE OF THE FOLLOWING VOLTAGE SELECT OPTIONS; 208V(H3), 240V(H2) OR 480V(H1).
  - BOTH CONTROL AND ALARM TERMINALS REQUIRE POWER FOR PROPER FUNCTION.
  - FUSE 2 (TRANSFORMER 1) CONNECTED INTERNALLY.
  - REMOVE JUMPER IF HEAT SENSOR IS USED.
  - REMOVE JUMPER IF IT IS A 4-FLOAT SYSTEM.

TULSAR END ITEM#		
EPB44D2-0001		
EPB44E2-0001		
EPB44F2-0001		
EPB44G2-0001		
EPB44H2-0001		
EPB44Q2-0001		
EPB44R2-0001		

DRAWING DESCRIPTION: PIVOT PRO+ 3PH DUPLEX REVERSING CIRCUITRY W/480V TRANSFORMER & H+S WIRING DIAGRAM		NUMBERS ENCLOSED IN A CIRCLE (1), (2), (3) ARE CRITICAL TO QUALITY (CTQ) ITEMS. THIS INDICATES A CRUCIAL SPECIFICATION THAT MUST BE ROUTINELY VERIFIED.	
TOLERANCES: X ±.1 XX ±.03 XXX ±.010		©COPYRIGHT, 2023 : ALL RIGHTS RESERVED BY ZOELLER.	
DRAFTER: PRAPISOORN Y.		DATE: 09/15/22	
STEPHEN KIRBY 07/26/23		MARGARET KAYD 08/02/23	
ELECTRONIC SCALE: 1X DO NOT SCALE PRINT EXCEPT AS NOTED DIMENSIONS ARE IN INCHES.		PART NUMBER: 304293 PART REVISION: A DRAWING NUMBER: 304293 SHEET: 1 OF 3	

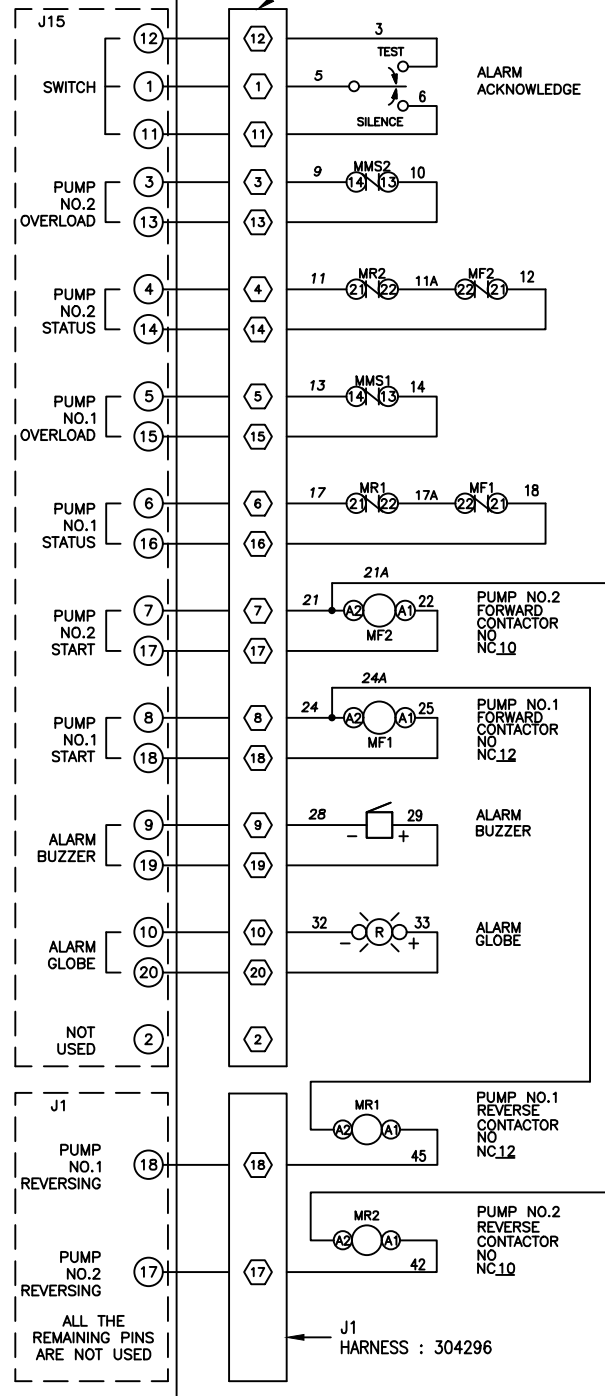


1  
2  
3  
4  
5  
6  
7  
8  
9  
10  
11  
12  
13  
14  
15  
16  
17  
18  
19  
20  
21  
22  
23  
24  
25  
26  
27  
28  
29  
30  
31  
32  
33  
34  
35

J2 HARNESS : 301671

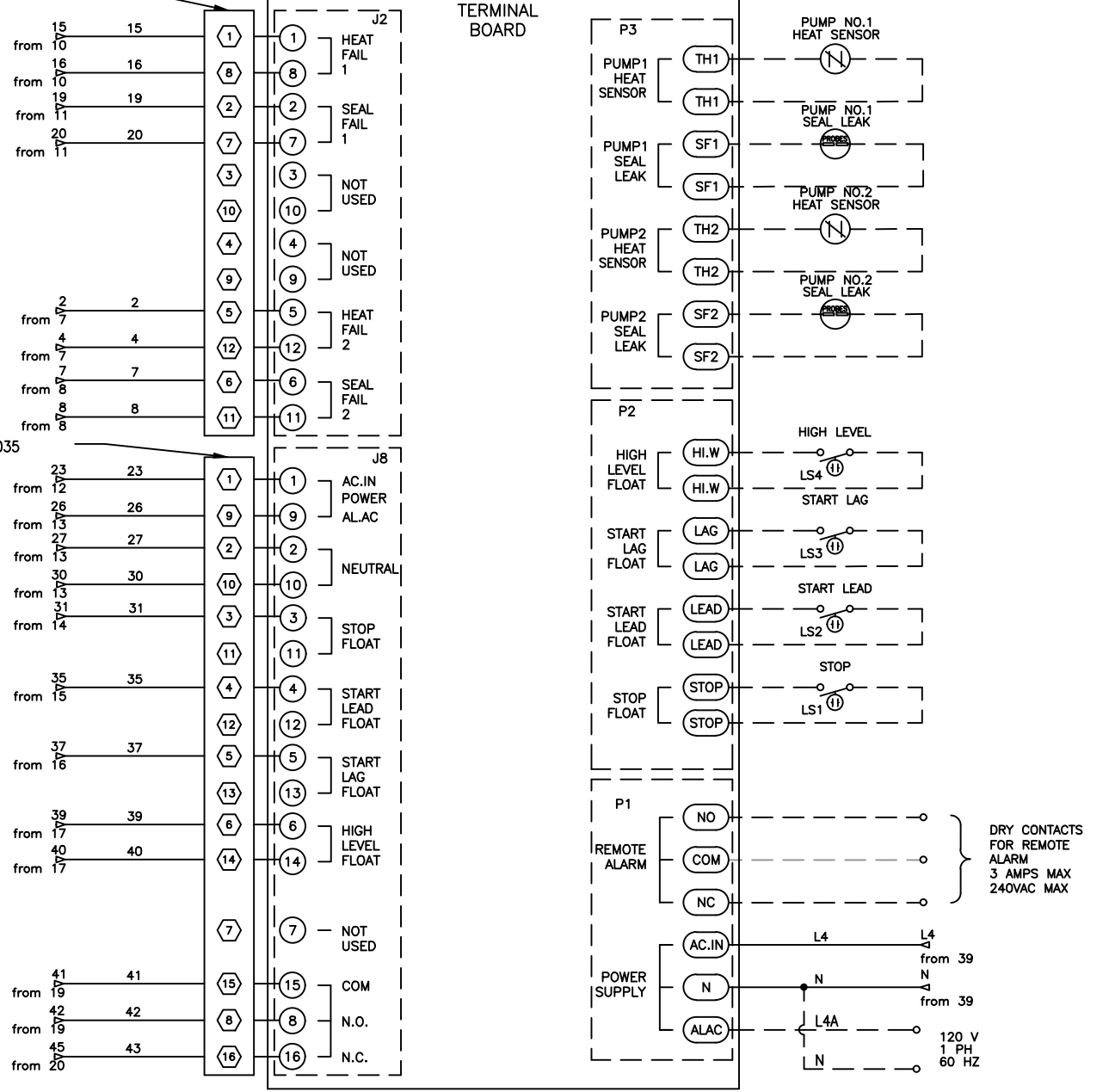
PCB CONTROL BOARD

J15 HARNESS : SEE TABLE J15

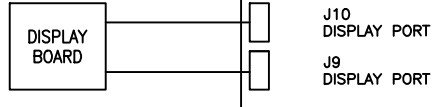


J2 HARNESS : 301671

BREAKOUT TERMINAL BOARD



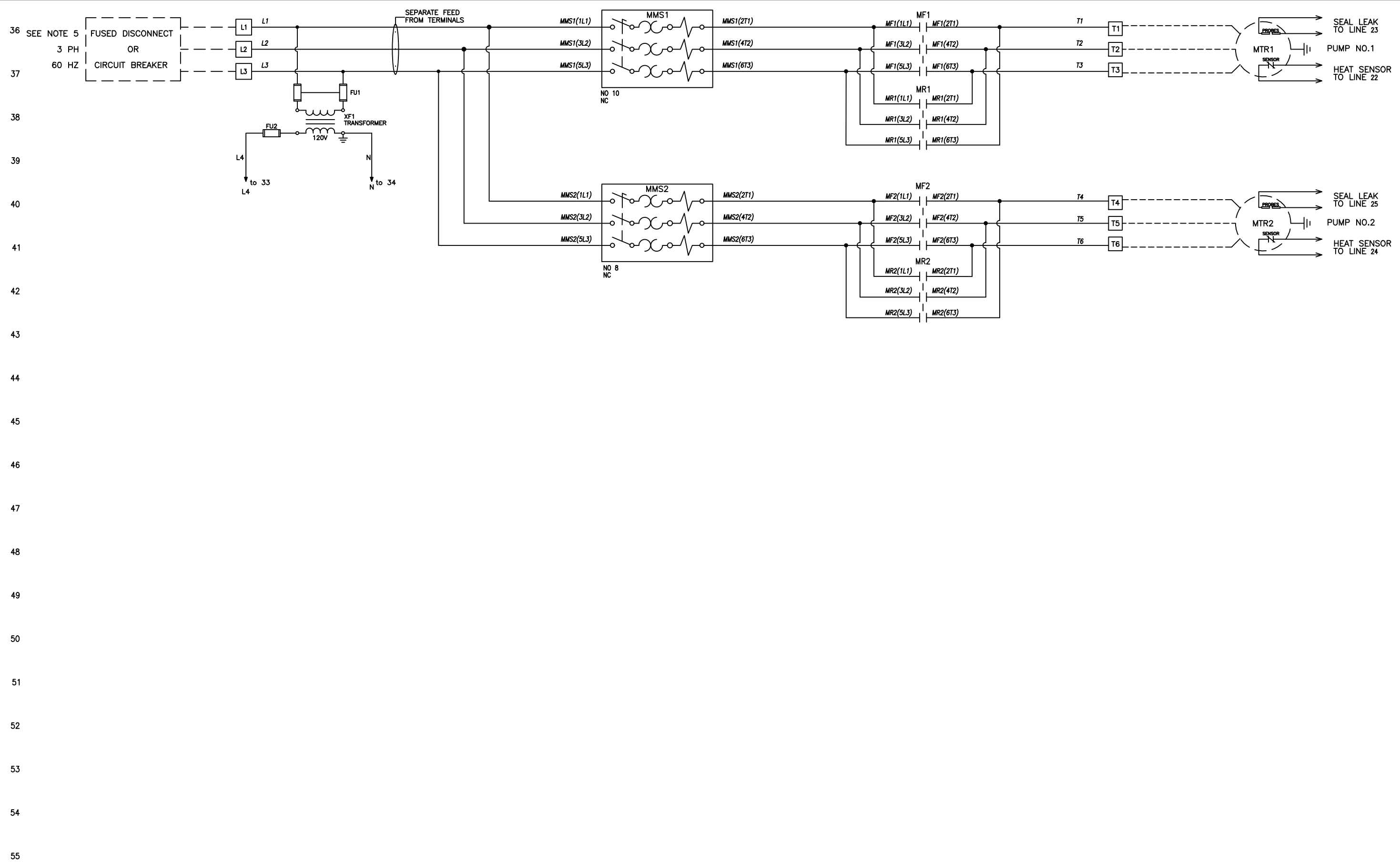
J8 HARNESS : 301035



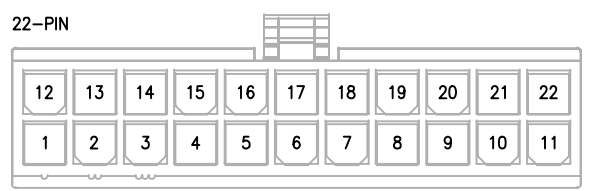
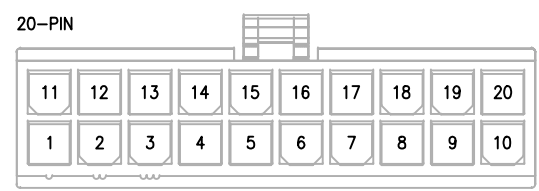
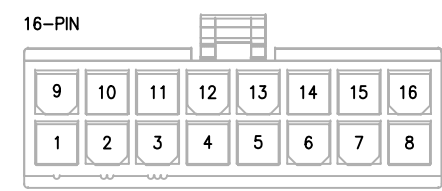
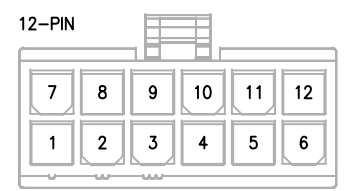
TERMINAL LEGEND  
◻ DENOTE MOLEX PIN

NOTE:  
TERMINAL (AC.IN) AND TERMINAL (ALAC) ARE JUMPED BY FACTORY DEFAULT. REMOVE JUMPER TO PROVIDE EXTERNAL 120VAC SUPPLY FOR ALARMS.





MOLEX DETAILS



TERMINAL LEGEND  
□ DENOTE LOCAL TERMINAL

**ZOELLER** PUMP COMPANY

THIS SHEET MUST BE ACCOMPANIED BY ALL RELATED SHEETS. SHEET: 3 OF 3

DRAWING NUMBER: 304293