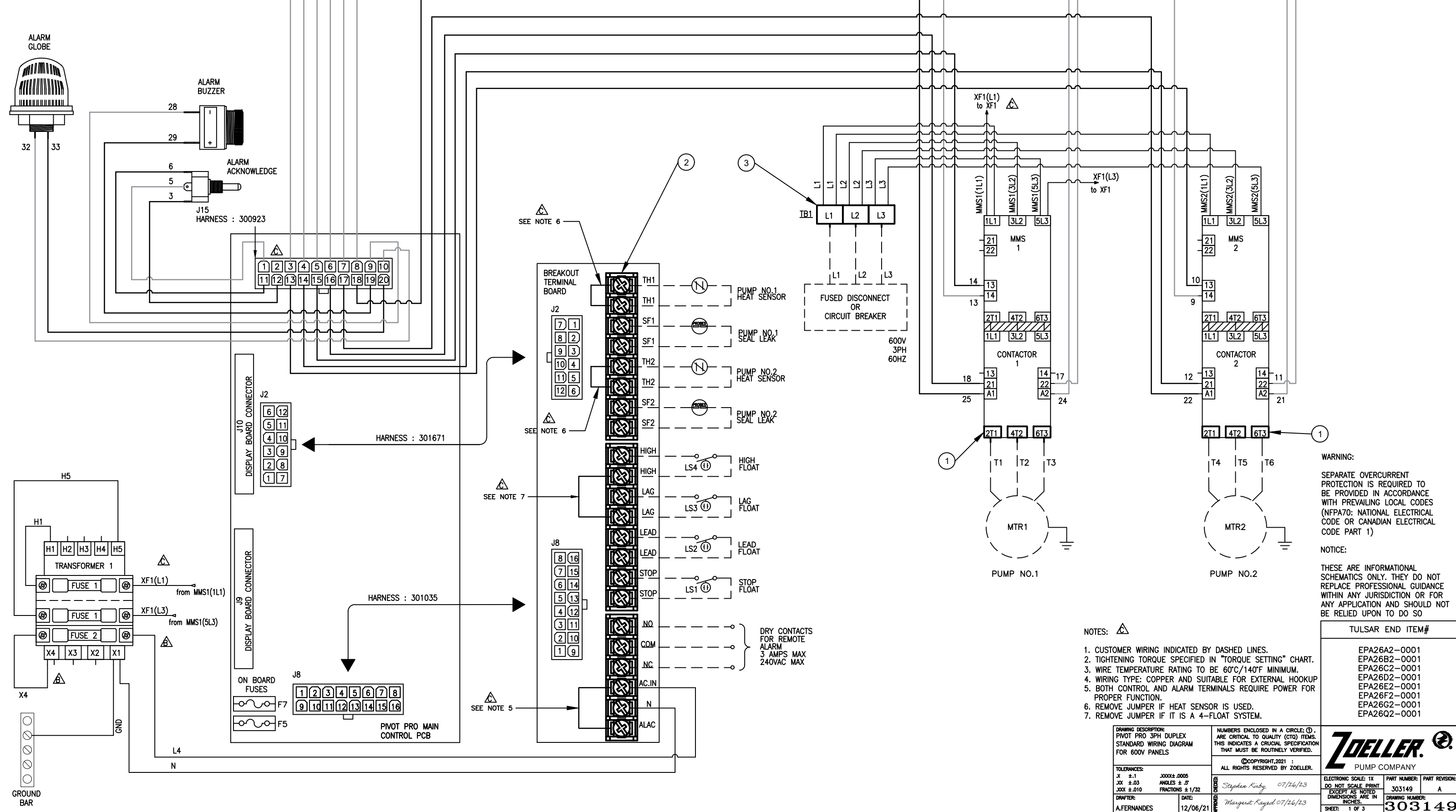


DRAWING REVISIONS			
LTR	BY	DATE	DESCRIPTION
△	AF	12/06/21	11351 RELEASE
□	PY	08/08/22	11531 NFR WIRING UPDATED
○	PY	05/30/23	11605 DRAWING UPDATES

CUSTOMER TORQUE SETTING		
NUMBER	COMPONENT	TORQUE
1	CONTACTOR	1.7 N.m. 15 lb-in
2	BREAKOUT TERMINAL BOARD	0.82 N.m. 7.3 lb-in
3	TERMINAL BLOCK 6mm <sup>2</sup> -CROSS SECTION	1.5-1.8 N.m. 13.3-15.9 lb-in
	TERMINAL BLOCK 16mm <sup>2</sup> -CROSS SECTION	2.5-3 N.m. 22.1-26.5 lb-in



**WARNING:**  
SEPARATE OVERCURRENT PROTECTION IS REQUIRED TO BE PROVIDED IN ACCORDANCE WITH PREVAILING LOCAL CODES (NFPA70: NATIONAL ELECTRICAL CODE OR CANADIAN ELECTRICAL CODE PART 1)

**NOTICE:**  
THESE ARE INFORMATIONAL SCHEMATICS ONLY. THEY DO NOT REPLACE PROFESSIONAL GUIDANCE WITHIN ANY JURISDICTION OR FOR ANY APPLICATION AND SHOULD NOT BE RELIED UPON TO DO SO

- NOTES:**
- CUSTOMER WIRING INDICATED BY DASHED LINES.
  - TIGHTENING TORQUE SPECIFIED IN "TORQUE SETTING" CHART.
  - WIRE TEMPERATURE RATING TO BE 60°C/140°F MINIMUM.
  - WIRING TYPE: COPPER AND SUITABLE FOR EXTERNAL HOOKUP
  - BOTH CONTROL AND ALARM TERMINALS REQUIRE POWER FOR PROPER FUNCTION.
  - REMOVE JUMPER IF HEAT SENSOR IS USED.
  - REMOVE JUMPER IF IT IS A 4-FLOAT SYSTEM.

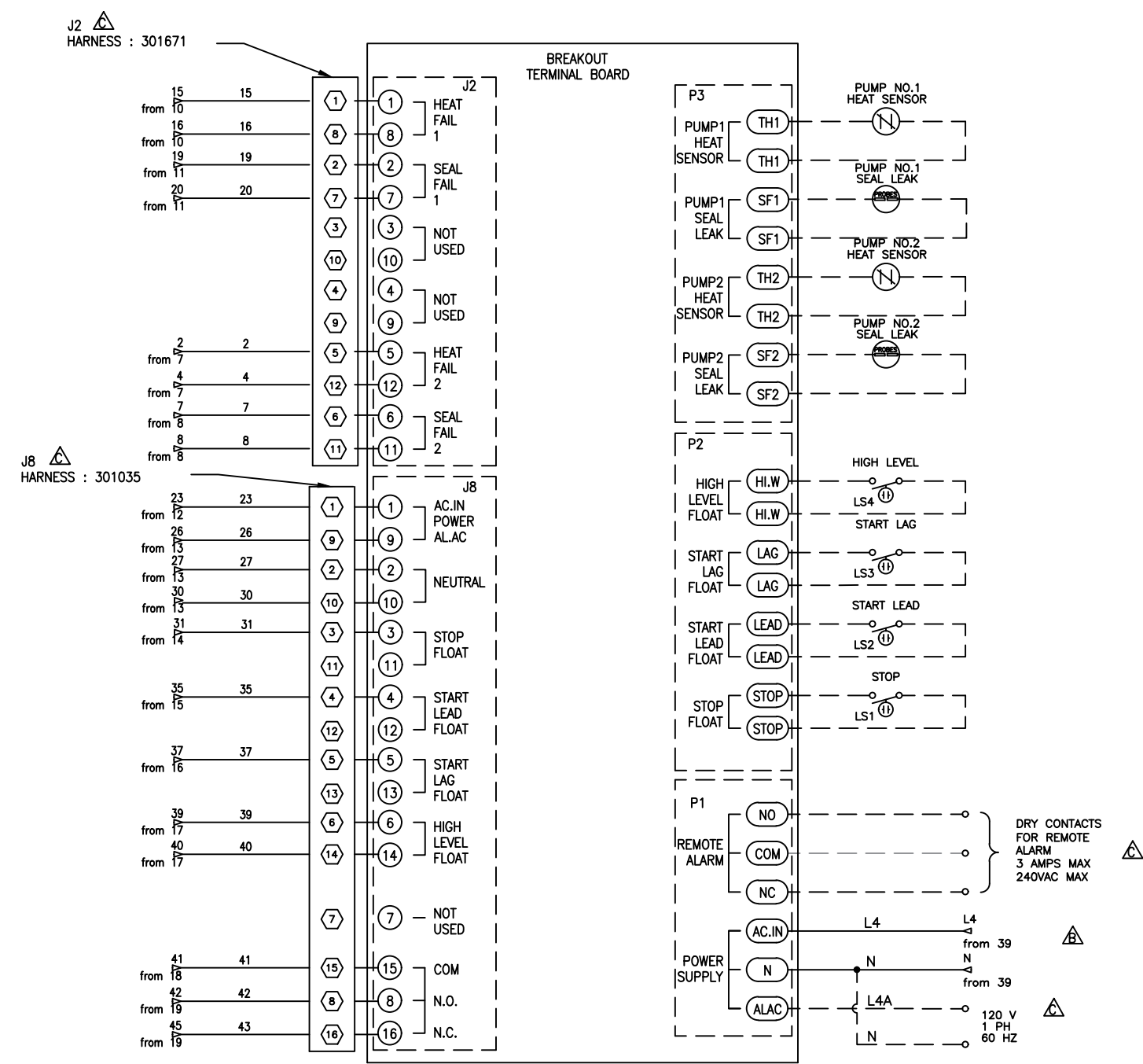
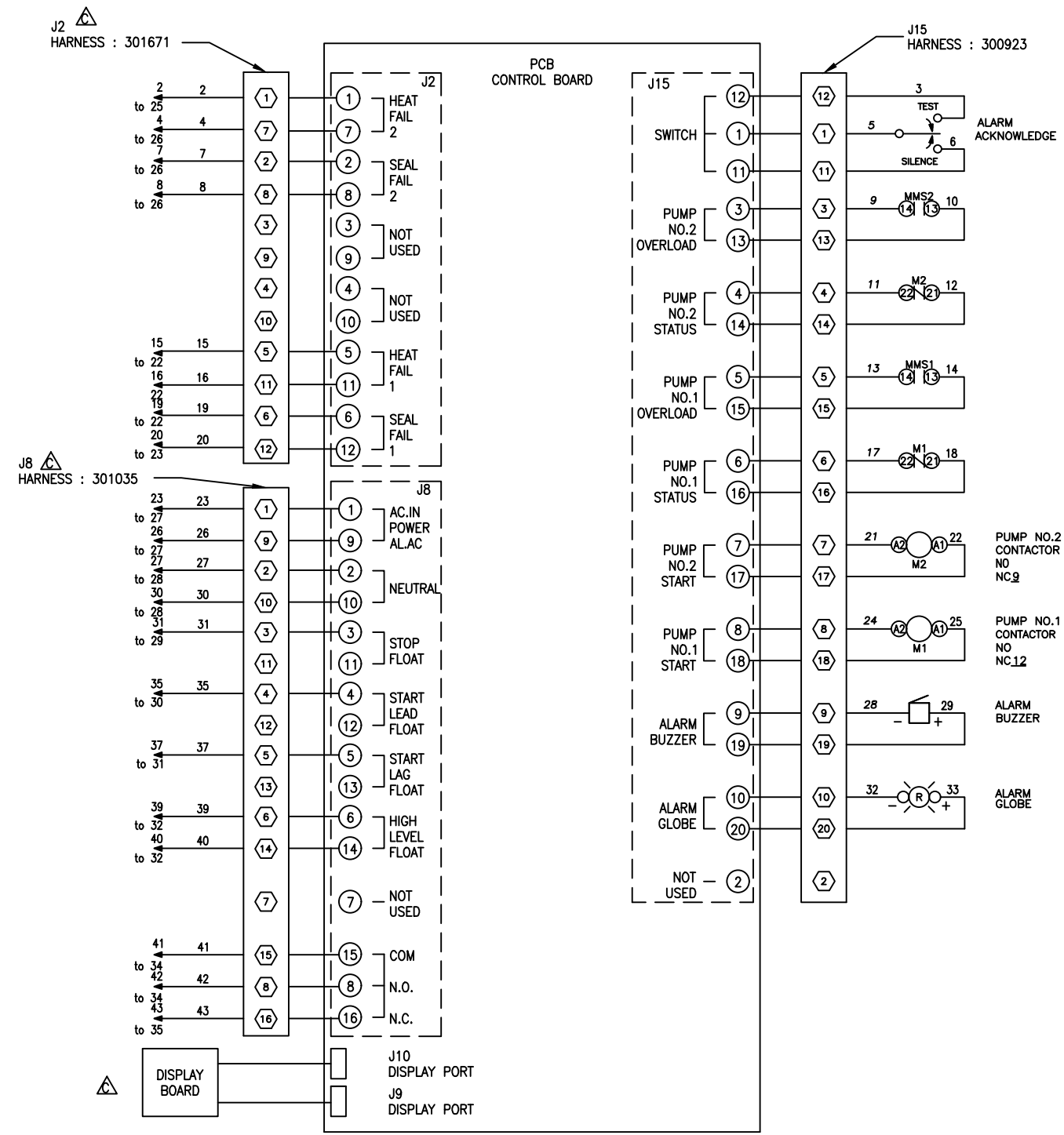
TULSAR END ITEM#		
EPA26A2-0001		
EPA26B2-0001		
EPA26C2-0001		
EPA26D2-0001		
EPA26E2-0001		
EPA26F2-0001		
EPA26G2-0001		
EPA26Q2-0001		

DRAWING DESCRIPTION: PIVOT PRO 3PH DUPLEX STANDARD WIRING DIAGRAM FOR 600V PANELS		NUMBERS ENCLOSED IN A CIRCLE: ○, △ ARE CRITICAL TO QUALITY (CTQ) ITEMS. THIS INDICATES A CRUCIAL SPECIFICATION THAT MUST BE ROUTINELY VERIFIED.	
TOLERANCES: X ±.1 XX ±.03 XXX ±.010		©COPYRIGHT, 2021 : ALL RIGHTS RESERVED BY ZOELLER.	
DRAFTER: A.FERNANDES		DATE: 12/06/21	
DRAWING NUMBER: 303149		PART NUMBER: 303149	
SHEET: 1 OF 3		PART REVISION: A	

**ZOELLER** PUMP COMPANY

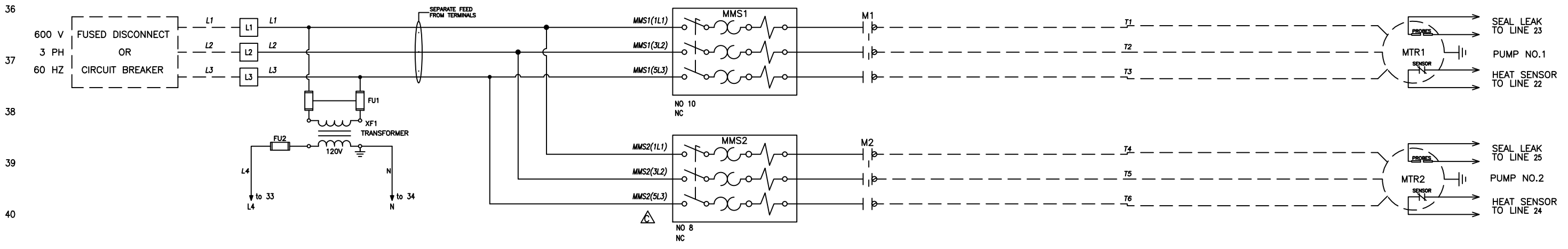
Stephen Kirby 07/26/23  
Margaret Kaye 07/26/23

1  
2  
3  
4  
5  
6  
7  
8  
9  
10  
11  
12  
13  
14  
15  
16  
17  
18  
19  
20  
21  
22  
23  
24  
25  
26  
27  
28  
29  
30  
31  
32  
33  
34  
35



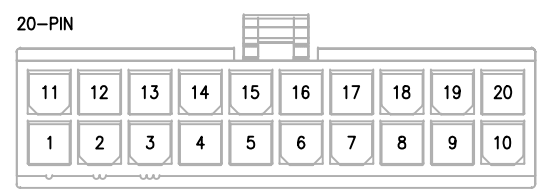
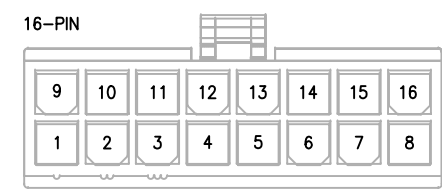
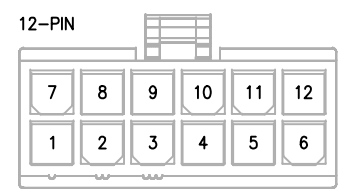
TERMINAL LEGEND  
◻ DENOTE MOLEX PIN

NOTE:  
TERMINAL (AC.IN) AND TERMINAL (ALAC) ARE JUMPED BY FACTORY DEFAULT. REMOVE JUMPER TO PROVIDE EXTERNAL 120VAC SUPPLY FOR ALARMS.



36  
37  
38  
39  
40  
41  
42  
43  
44  
45  
46  
47  
48  
49  
50  
51  
52  
53  
54  
55

MOLEX DETAILS



TERMINAL LEGEND  
□ DENOTE LOCAL TERMINAL

**ZOELLER**

PUMP COMPANY

THIS SHEET MUST BE ACCOMPANIED BY ALL RELATED SHEETS.  
DRAWING NUMBER: 303149  
SHEET: 3 OF 3