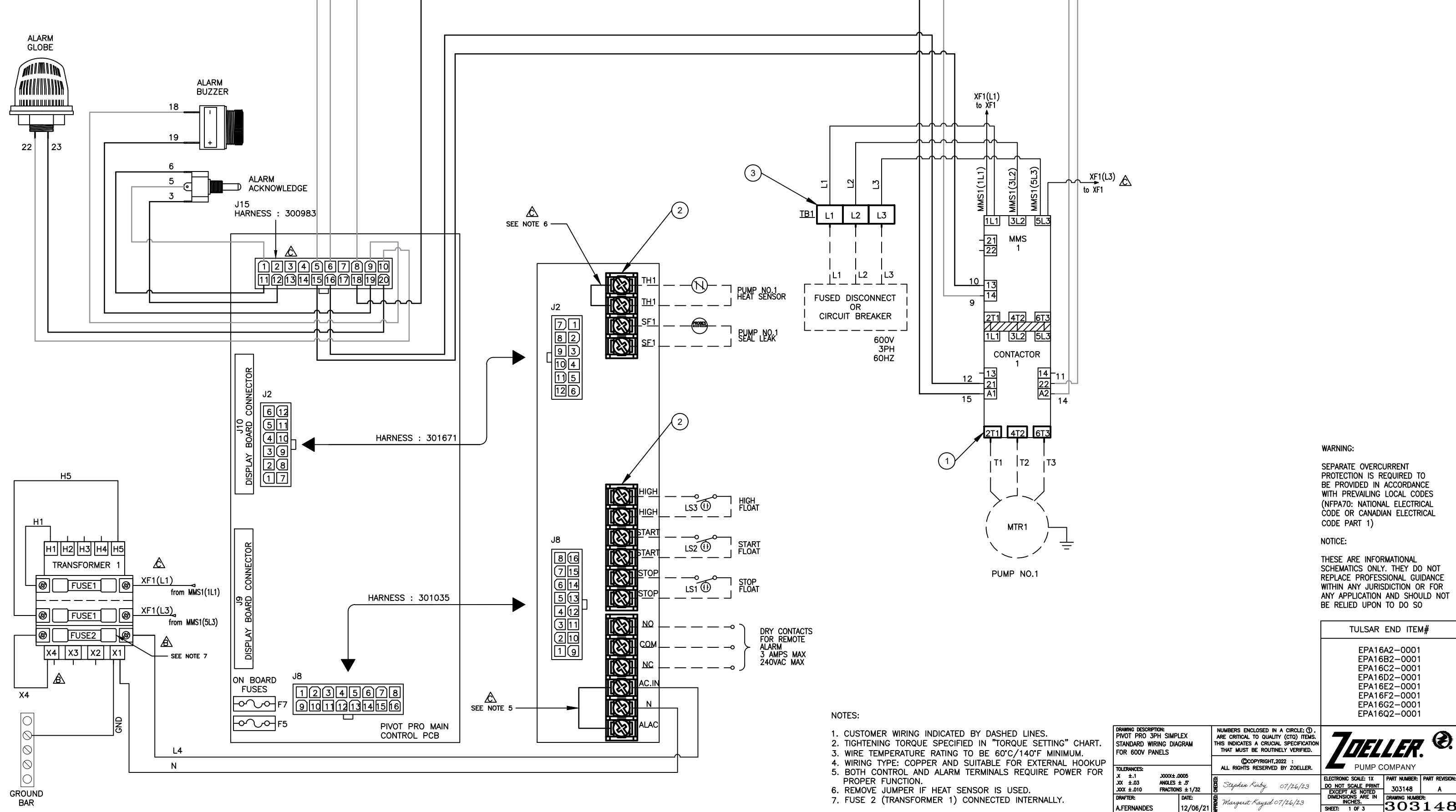


DRAWING REVISIONS				
LTR	BY	DATE	ECO #	DESCRIPTION
A	AF	12/06/21	11351	RELEASE
B	PY	11/11/22	11554	TRANSFER & TORQUE UPDATE
C	PY	05/30/23	11605	DRAWING UPDATES

CUSTOMER TORQUE SETTING		
NUMBER	COMPONENT	TORQUE
1	CONTACTOR	1.7 N.m. 15 lb-in
2	BREAKOUT TERMINAL BOARD	0.82 N.m. 7.3 lb-in
3	TERMINAL BLOCK 6mm <sup>2</sup> -CROSS SECTION	1.5-1.8 N.m. 13.3-15.9 lb-in
	TERMINAL BLOCK 16mm <sup>2</sup> -CROSS SECTION	2.5-3 N.m. 22.1-26.5 lb-in



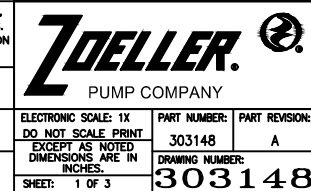
**WARNING:**  
SEPARATE OVERCURRENT PROTECTION IS REQUIRED TO BE PROVIDED IN ACCORDANCE WITH PREVAILING LOCAL CODES (NFPA70: NATIONAL ELECTRICAL CODE OR CANADIAN ELECTRICAL CODE PART 1)

**NOTICE:**  
THESE ARE INFORMATIONAL SCHEMATICS ONLY. THEY DO NOT REPLACE PROFESSIONAL GUIDANCE WITHIN ANY JURISDICTION OR FOR ANY APPLICATION AND SHOULD NOT BE RELIED UPON TO DO SO

TULSAR END ITEM#
EPA16A2-0001
EPA16B2-0001
EPA16C2-0001
EPA16D2-0001
EPA16E2-0001
EPA16F2-0001
EPA16G2-0001
EPA16Q2-0001

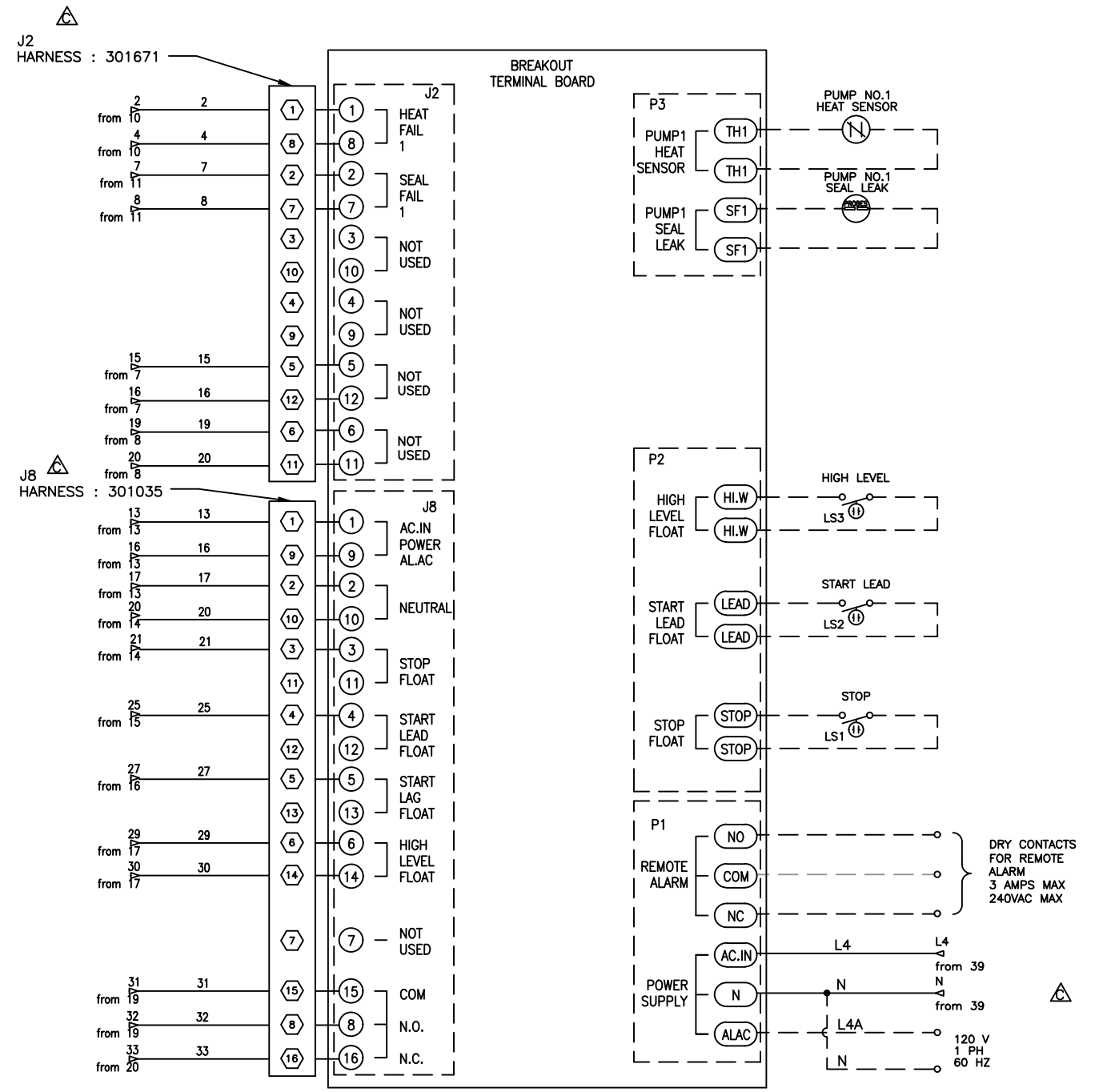
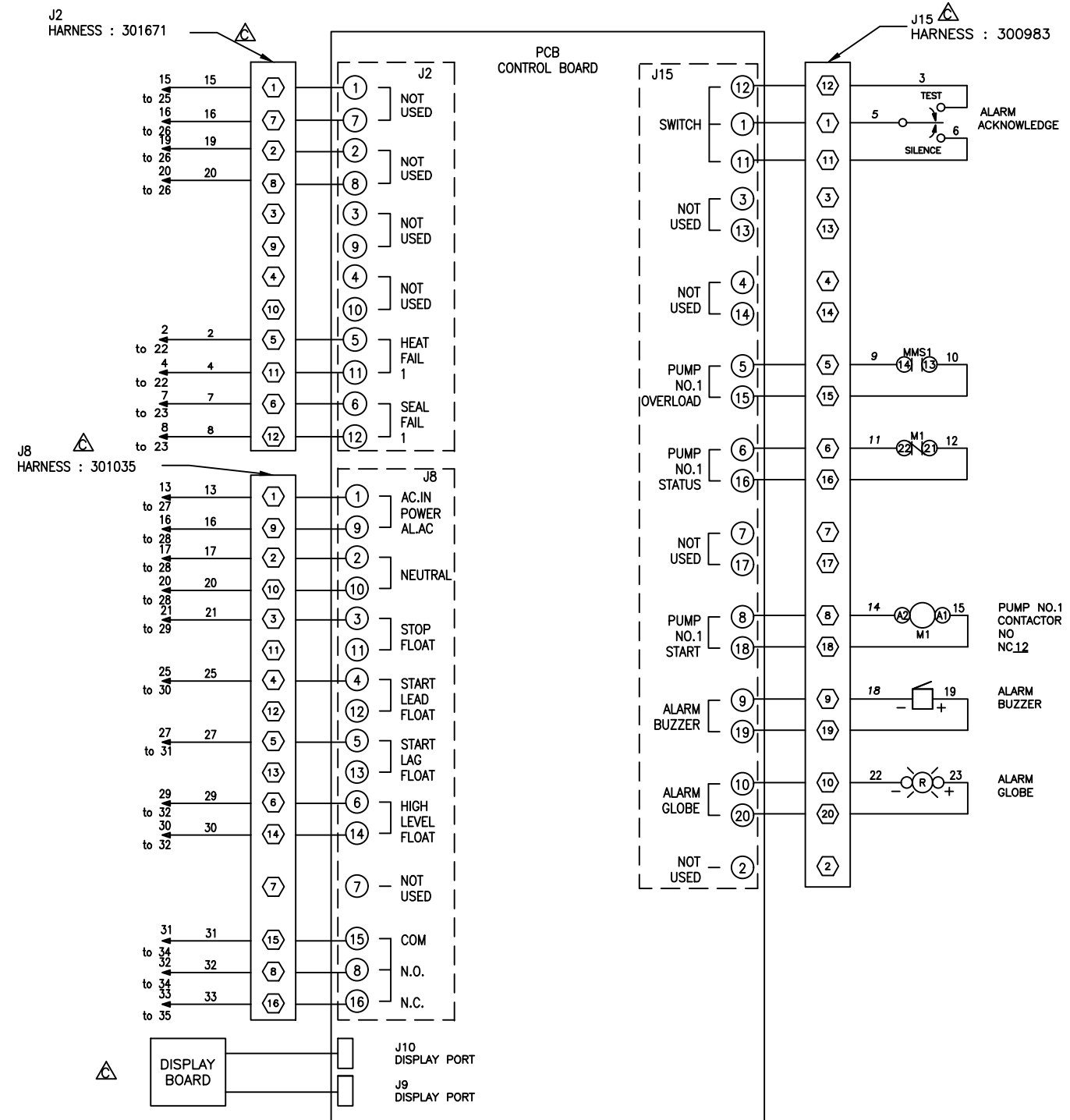
- NOTES:**
- CUSTOMER WIRING INDICATED BY DASHED LINES.
  - TIGHTENING TORQUE SPECIFIED IN "TORQUE SETTING" CHART.
  - WIRE TEMPERATURE RATING TO BE 60°C/140°F MINIMUM.
  - WIRING TYPE: COPPER AND SUITABLE FOR EXTERNAL HOOKUP
  - BOTH CONTROL AND ALARM TERMINALS REQUIRE POWER FOR PROPER FUNCTION.
  - REMOVE JUMPER IF HEAT SENSOR IS USED.
  - FUSE 2 (TRANSFORMER 1) CONNECTED INTERNALLY.

DRAWING DESCRIPTION: PIVOT PRO 3PH SIMPLEX STANDARD WIRING DIAGRAM FOR 600V PANELS		NUMBERS ENCLOSED IN A CIRCLE: ①, ② ARE CRITICAL TO QUALITY (CTQ) ITEMS. THIS INDICATES A CRUCIAL SPECIFICATION THAT MUST BE ROUTINELY VERIFIED.	
TOLERANCES: X ±.1 XX ±.03 XXX ±.010		J000±.0005 ANGLES ± 5° FRACTIONS ± 1/32	
DRAFTER: A.FERNANDES		DATE: 12/06/21	
DESIGNED BY: Stephen Kirby 07/26/23		CHECKED BY: Margaret Kaye 07/26/23	
ELECTRONIC SCALE: 1X DO NOT SCALE PRINT EXCEPT AS NOTED DIMENSIONS ARE IN INCHES.		PART NUMBER: 303148 PART REVISION: A DRAWING NUMBER: 303148 SHEET: 1 OF 3	



1  
2  
3  
4  
5  
6  
7  
8  
9  
10  
11  
12  
13  
14  
15  
16  
17  
18  
19  
20

21  
22  
23  
24  
25  
26  
27  
28  
29  
30  
31  
32  
33  
34  
35

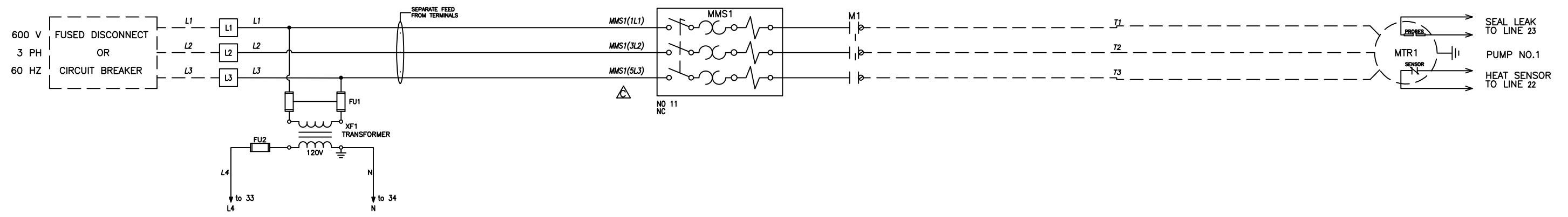


TERMINAL LEGEND  
◻ DENOTE MOLEX PIN

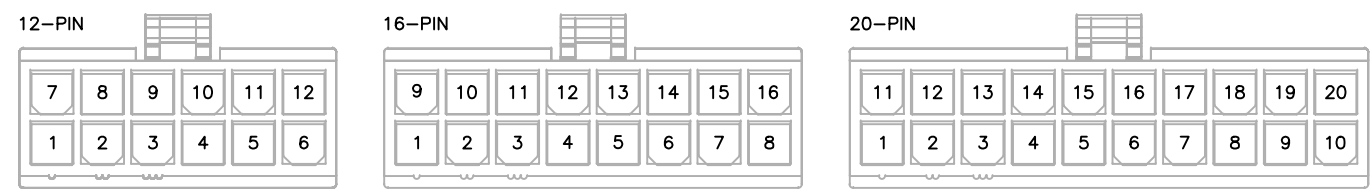
NOTE:  
TERMINAL (AC.IN) AND TERMINAL (ALAC) ARE JUMPED BY FACTORY DEFAULT. REMOVE JUMPER TO PROVIDE EXTERNAL 120VAC SUPPLY FOR ALARMS.



36  
37  
38  
39  
40  
41  
42  
43  
44  
45  
46  
47  
48  
49  
50  
51  
52  
53  
54  
55



MOLEX DETAILS



TERMINAL LEGEND  
□ DENOTE LOCAL TERMINAL

**ZOELLER** PUMP COMPANY

THIS SHEET MUST BE ACCOMPANIED BY ALL RELATED SHEETS.  
DRAWING NUMBER: 303148  
SHEET: 3 OF 3