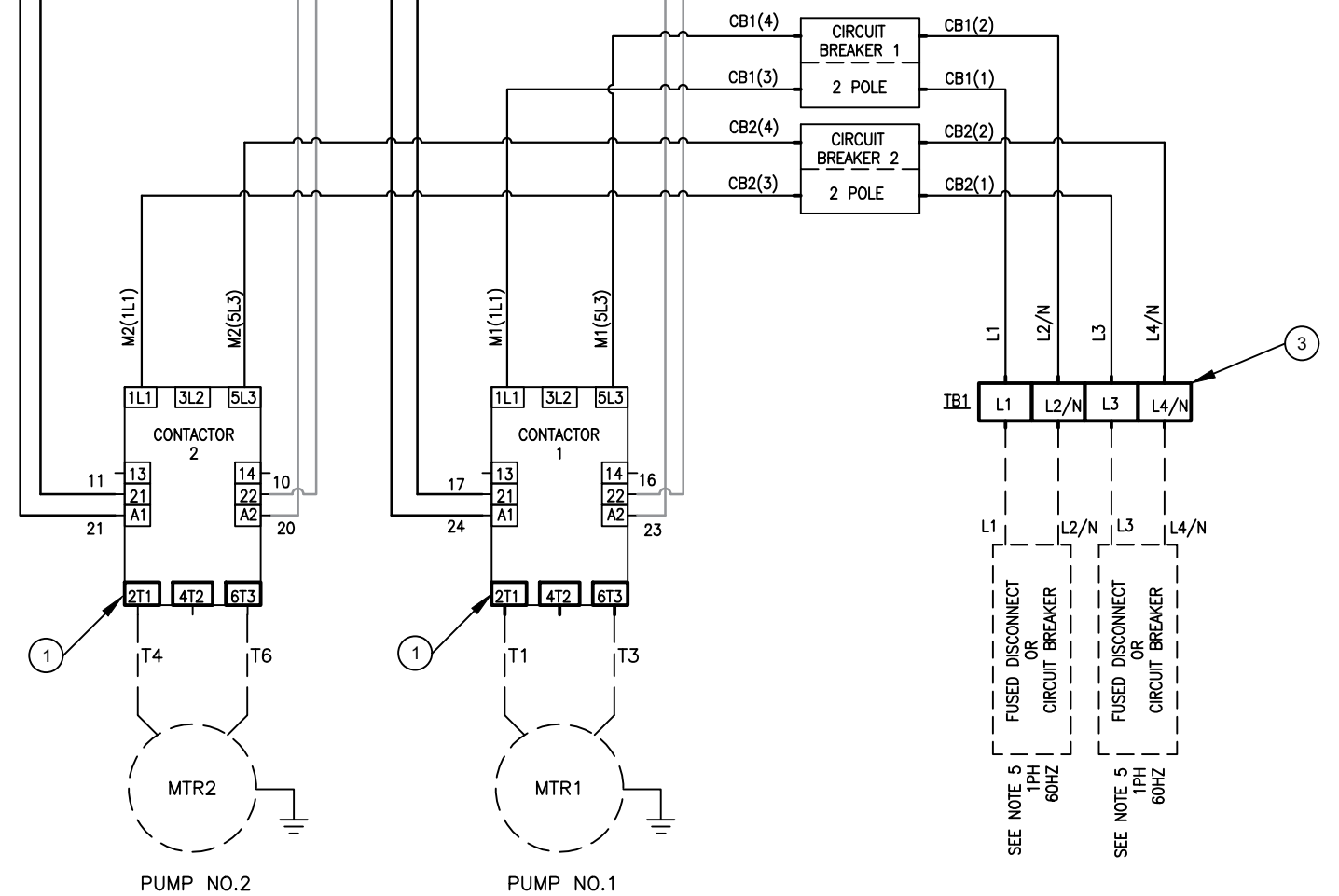
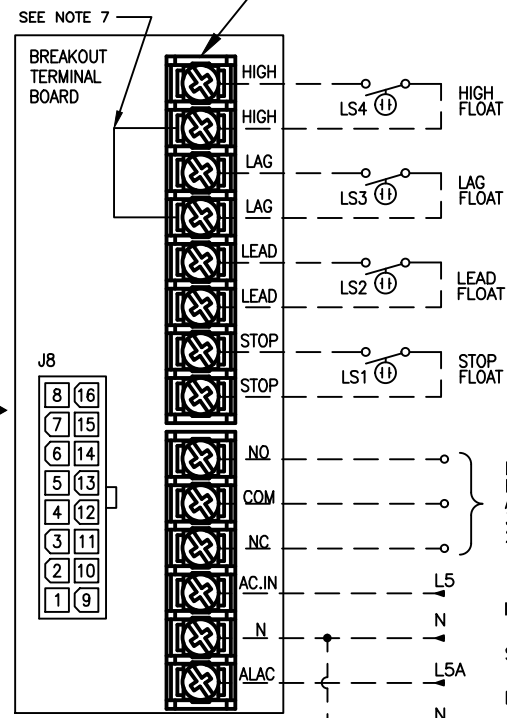
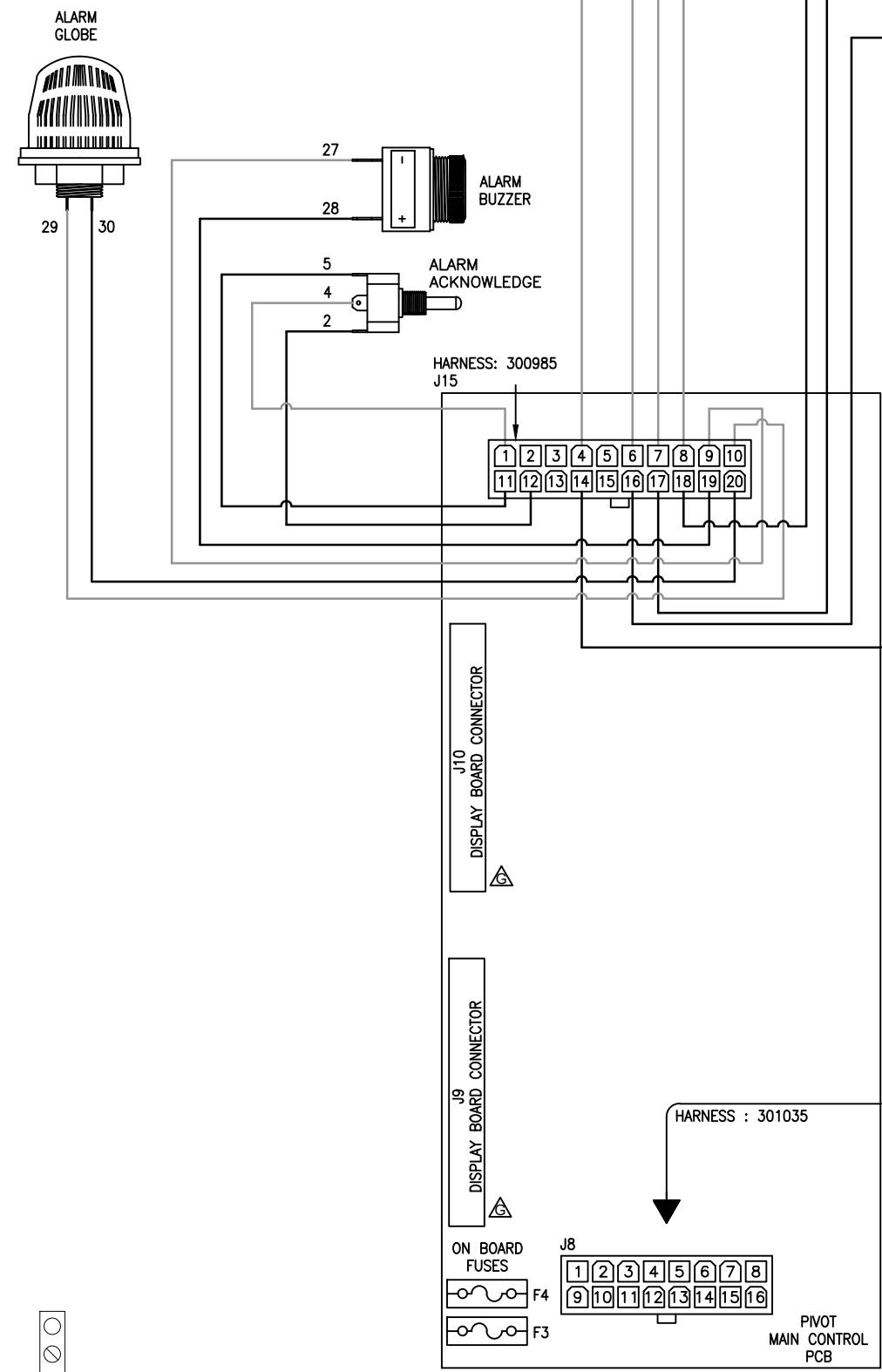


DRAWING REVISIONS				
LTR	BY	DATE	ECO #	DESCRIPTION
A	ISM	05/01/20	11069	RELEASE
B	AF	09/14/20	11098	JUMPERS ADDED
C	AF	01/13/21	11188	LEGAL NOTICE ADDED
D	AF	06/21/21	11320	ELECTRICAL SCHEMATIC ADDED
E	AF	12/07/21	11391	APPLICABLE VOLTAGE UPDATED
F	PY	11/11/22	11437	TORQUE SETTING & NOTE ADDED
G	HK	05/31/23	11605	DRAWING UPDATES

CUSTOMER TORQUE SETTING		
NUMBER	COMPONENT	TORQUE
1	CONTACTOR LC1D09G7-LC1D18G7	1.7 N.m. 15 lb-in
	CONTACTOR LC1D25G7-LC1D38G7	2.5 N.m. 22 lb-in
2	BREAKOUT TERMINAL BOARD	1.15 N.m. 10 lb-in
3	TERMINAL BLOCK 6mm ² -CROSS SECTION	1.5-1.8 N.m. 13.3-15.9 lb-in
	TERMINAL BLOCK 16mm ² -CROSS SECTION	2.5-3 N.m. 22.1-26.5 lb-in



WARNING:
SEPARATE OVERCURRENT PROTECTION IS REQUIRED TO BE PROVIDED IN ACCORDANCE WITH PREVAILING LOCAL CODES (NFPA70: NATIONAL ELECTRICAL CODE OR CANADIAN ELECTRICAL CODE PART 1)

NOTICE:
THESE ARE INFORMATIONAL SCHEMATICS ONLY. THEY DO NOT REPLACE PROFESSIONAL GUIDANCE WITHIN ANY JURISDICTION OR FOR ANY APPLICATION AND SHOULD NOT BE RELIED UPON TO DO SO

- NOTES:**
- CUSTOMER WIRING INDICATED BY DASHED LINES.
 - TIGHTENING TORQUE SPECIFIED IN "TORQUE SETTING" CHART.
 - WIRE TEMPERATURE RATING TO BE 60°C/140°F MINIMUM.
 - WIRING TYPE: COPPER AND SUITABLE FOR EXTERNAL HOOKUP
 - APPLICABLE VOLTAGE 120V, 208V & 240V.
 - BOTH CONTROL AND ALARM TERMINALS REQUIRE POWER FOR PROPER FUNCTION.
 - REMOVE JUMPER IF IT IS A 4-FLOAT SYSTEM.

DRAWING DESCRIPTION: PIVOT 1PH DUPLEX WIRING DIAGRAM		NUMBERS ENCLOSED IN A CIRCLE: (1), (2) ARE CRITICAL TO QUALITY (CTQ) ITEMS. THIS INDICATES A CRUCIAL SPECIFICATION THAT MUST BE ROUTINELY VERIFIED.	
TOLERANCES: X ±.1 XOX ±.03 XOX ±.010		J000±.0005 ANGLES ± 5° FRACTIONS ±1/32	
DRAFTER: S.MURRAY		DATE: 05/01/20	
DRAWING NUMBER: 301100		SHEET: 1 OF 3	

©COPYRIGHT, 2020 : ALL RIGHTS RESERVED BY ZOELLER.

Stephen Kirby 07/24/23

Margaret Kayser 07/24/23

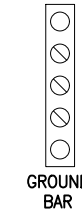
TULSAR END ITEM#

EPC2352-0001
EPC2122-0001
EPC2132-0001
EPC2312-0001
EPC2322-0001
EPC2332-0001
EPC2342-0001
EPC2222-0001

ZOELLER PUMP COMPANY

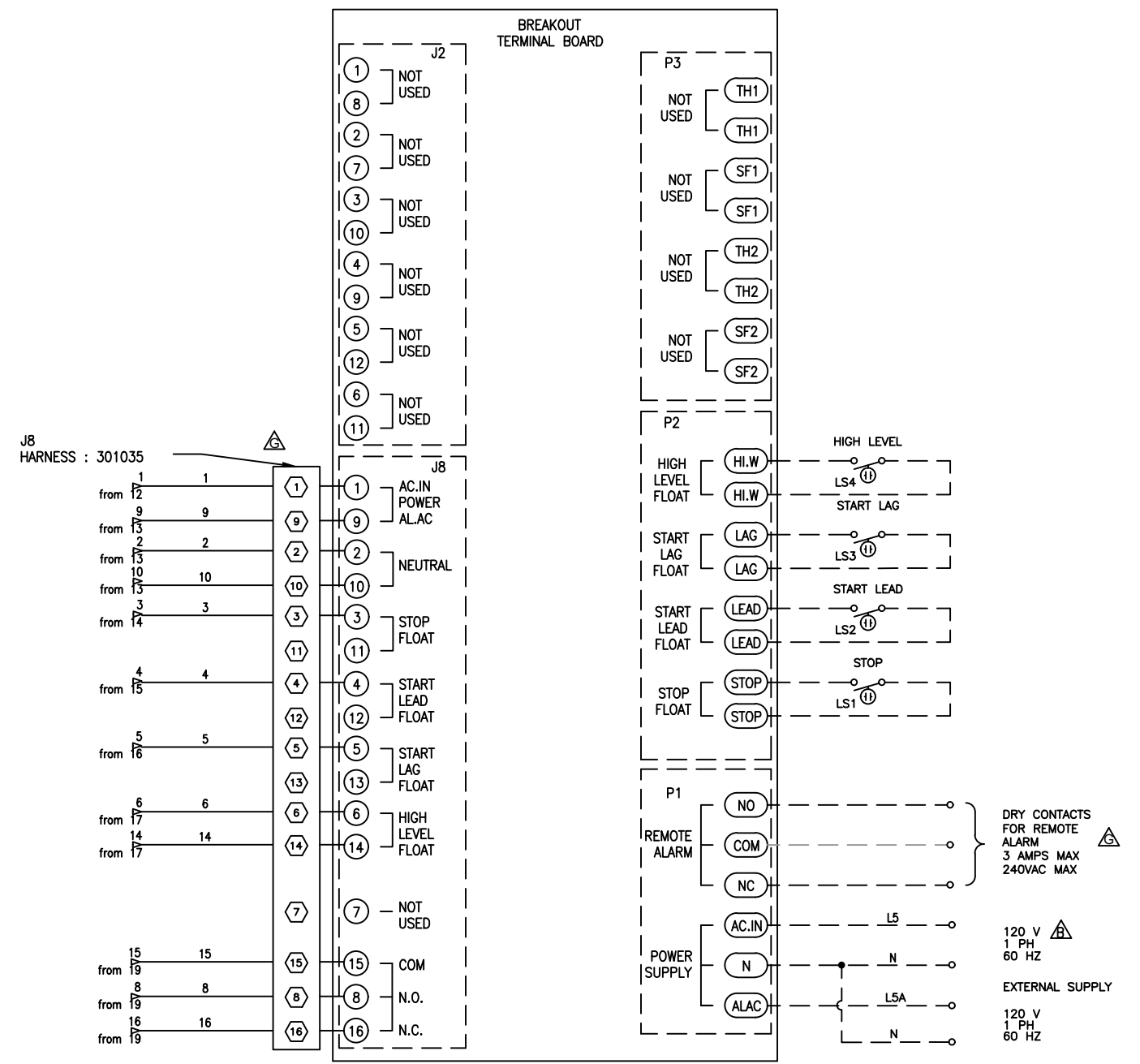
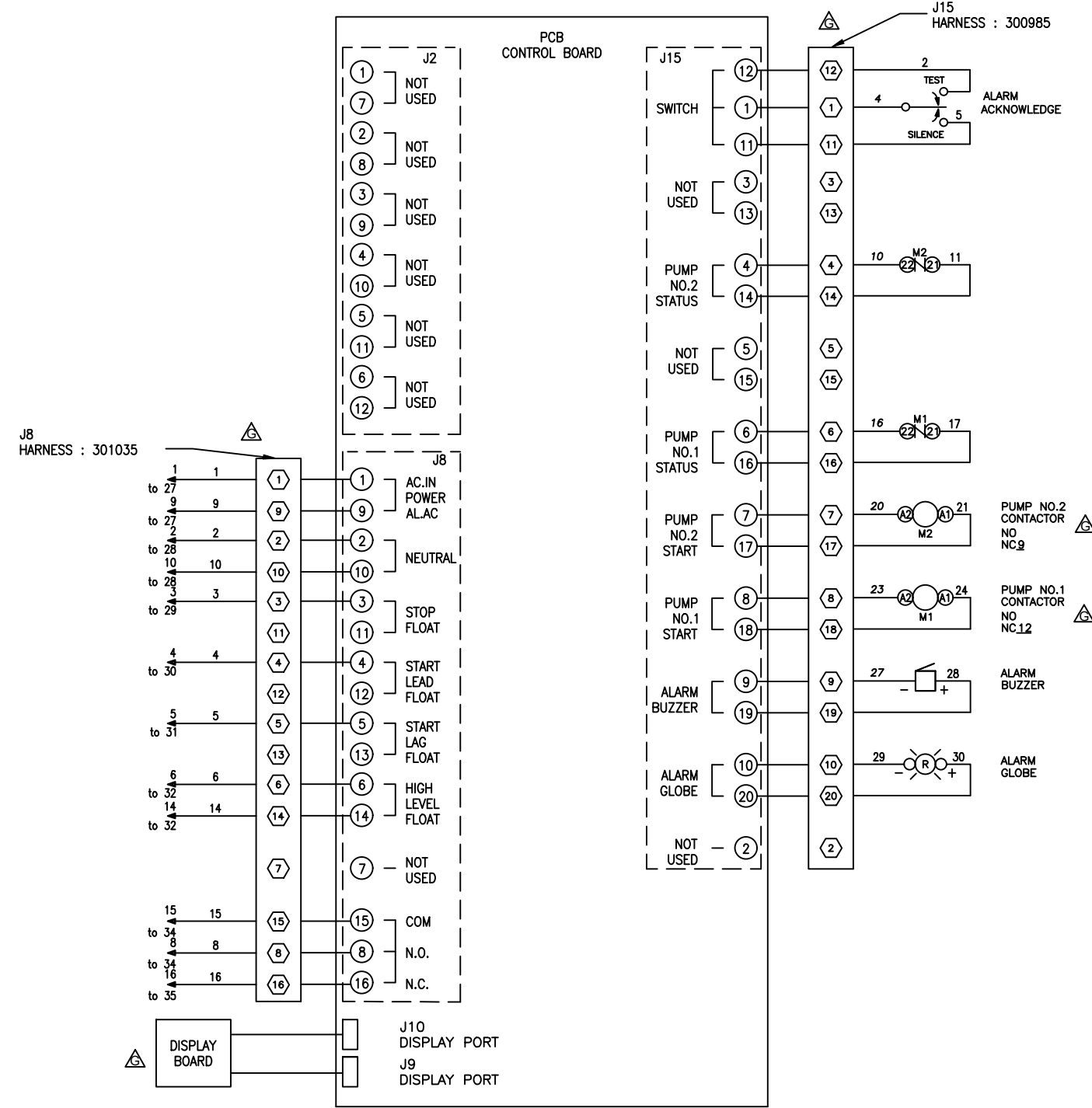
ELECTRONIC SCALE: 1X
DO NOT SCALE PRINT
EXCEPT AS NOTED
DIMENSIONS ARE IN INCHES.

PART NUMBER: 301100
PART REVISION: A

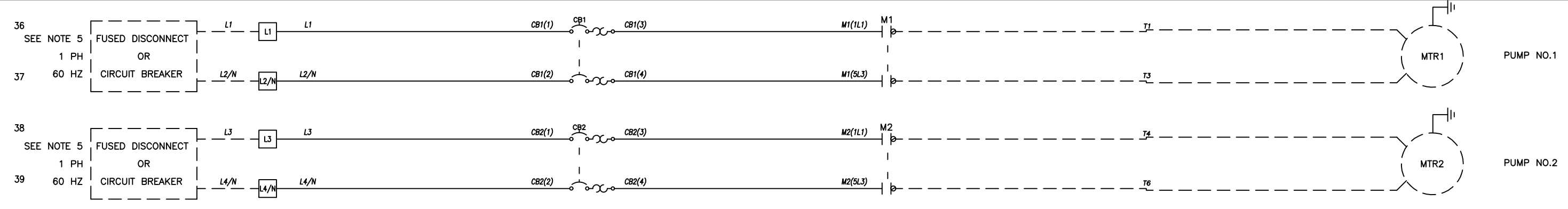


1
2
3
4
5
6
7
8
9
10
11
12
13
14
15
16
17
18
19
20

21
22
23
24
25
26
27
28
29
30
31
32
33
34
35

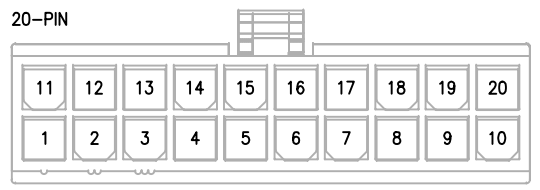
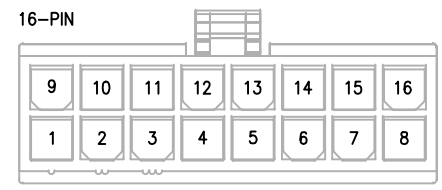


TERMINAL LEGEND
 DENOTE MOLEX PIN



36
37
38
39
40
41
42
43
44
45
46
47
48
49
50
51
52
53
54
55

MOLEX DETAILS



TERMINAL LEGEND
□ DENOTE LOCAL TERMINAL