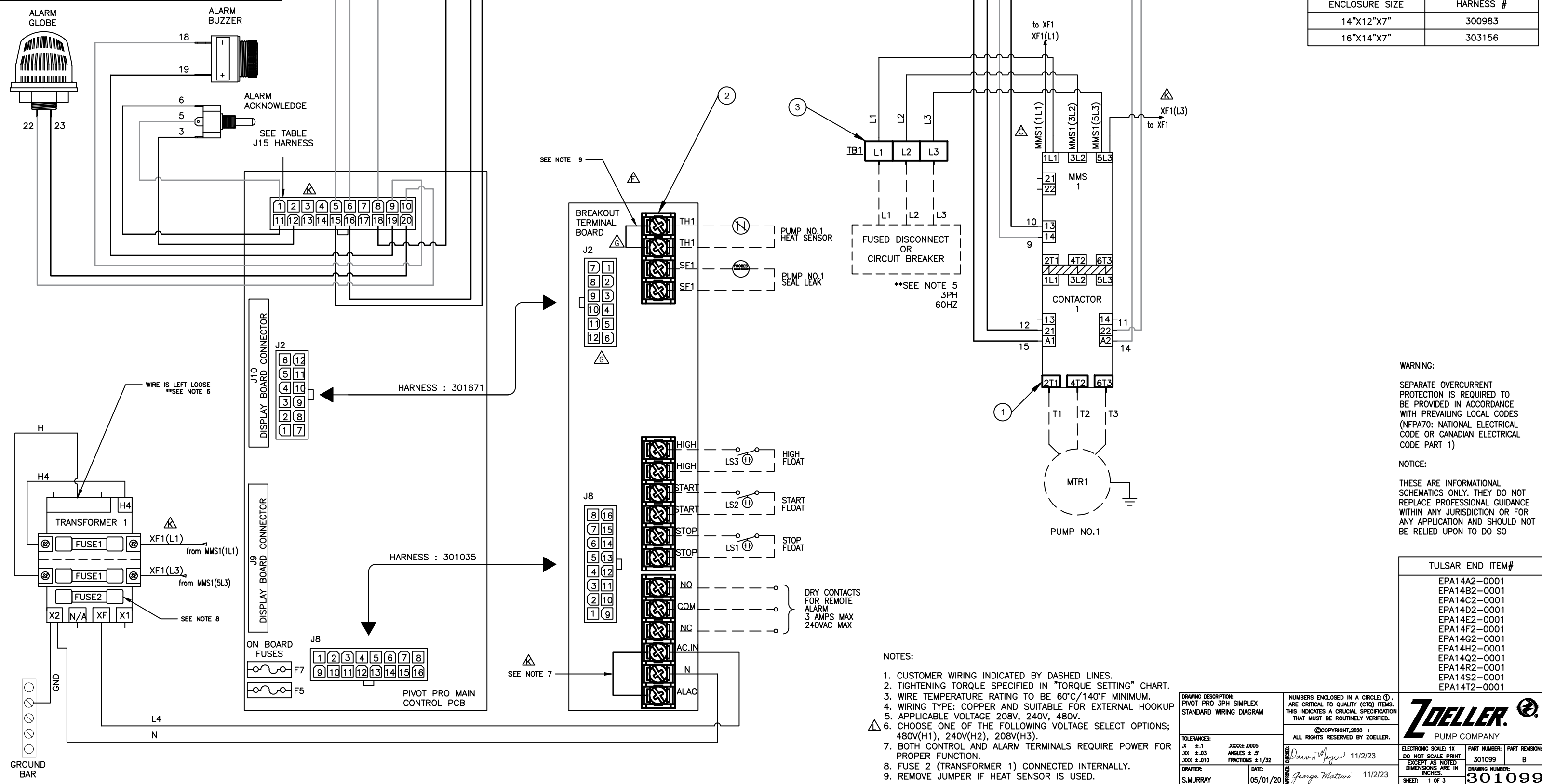


DRAWING REVISIONS				
LTR	BY	DATE	ECO #	DESCRIPTION
A	ISM	05/01/20	11069	RELEASE
B	AF	08/20/20	11098	JUMPERS ADDED
C	AF	09/15/20	11110	WIRE LABELS CHANGED
D	AF	01/13/21	11188	LEGAL NOTICE ADDED
E	AF	03/24/21	11212	TORQUE TABLE REMOVED
F	AF	05/25/21	11320	HEAT AND SEAL ADDED
G	AF	08/30/21	11366	HEAT AND SEAL WIRING UPDATED
H	AF	12/07/21	11391	APPLICABLE VOLTAGE UPDATED
J	PY	11/11/22	11437	TORQUE SETTING & NOTE ADDED
K	PY	05/30/23	11605	DRAWING UPDATES
L	MK	11/02/23	20234	NOTE 6 UPDATED

J15 HARNESSES	
ENCLOSURE SIZE	HARNESS #
14"X12"X7"	300983
16"X14"X7"	303156

CUSTOMER TORQUE SETTING		
NUMBER	COMPONENT	TORQUE
1	CONTACTOR LC1D09G7-LC1D32G7	1.7 N.m. 15 lb-in
	CONTACTOR LC1D40AG7-LC1D65AG7	5-8 N.m. 70 lb-in
2	BREAKOUT TERMINAL BOARD	0.82 N.m. 7.3 lb-in
3	TERMINAL BLOCK 6mm ² -CROSS SECTION	1.5-1.8 N.m. 13.3-15.9 lb-in
	TERMINAL BLOCK 16mm ² -CROSS SECTION	2.5-3 N.m. 22.1-26.5 lb-in
	TERMINAL BLOCK 35mm ² -CROSS SECTION	3.2-3.7 N.m. 28.3-32.7 lb-in



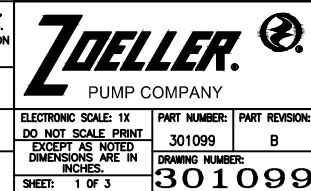
WARNING:
SEPARATE OVERCURRENT PROTECTION IS REQUIRED TO BE PROVIDED IN ACCORDANCE WITH PREVAILING LOCAL CODES (NFPA70: NATIONAL ELECTRICAL CODE OR CANADIAN ELECTRICAL CODE PART 1)

NOTICE:
THESE ARE INFORMATIONAL SCHEMATICS ONLY. THEY DO NOT REPLACE PROFESSIONAL GUIDANCE WITHIN ANY JURISDICTION OR FOR ANY APPLICATION AND SHOULD NOT BE RELIED UPON TO DO SO

TULSAR END ITEM#
EPA14A2-0001
EPA14B2-0001
EPA14C2-0001
EPA14D2-0001
EPA14E2-0001
EPA14F2-0001
EPA14G2-0001
EPA14H2-0001
EPA14Q2-0001
EPA14R2-0001
EPA14S2-0001
EPA14T2-0001

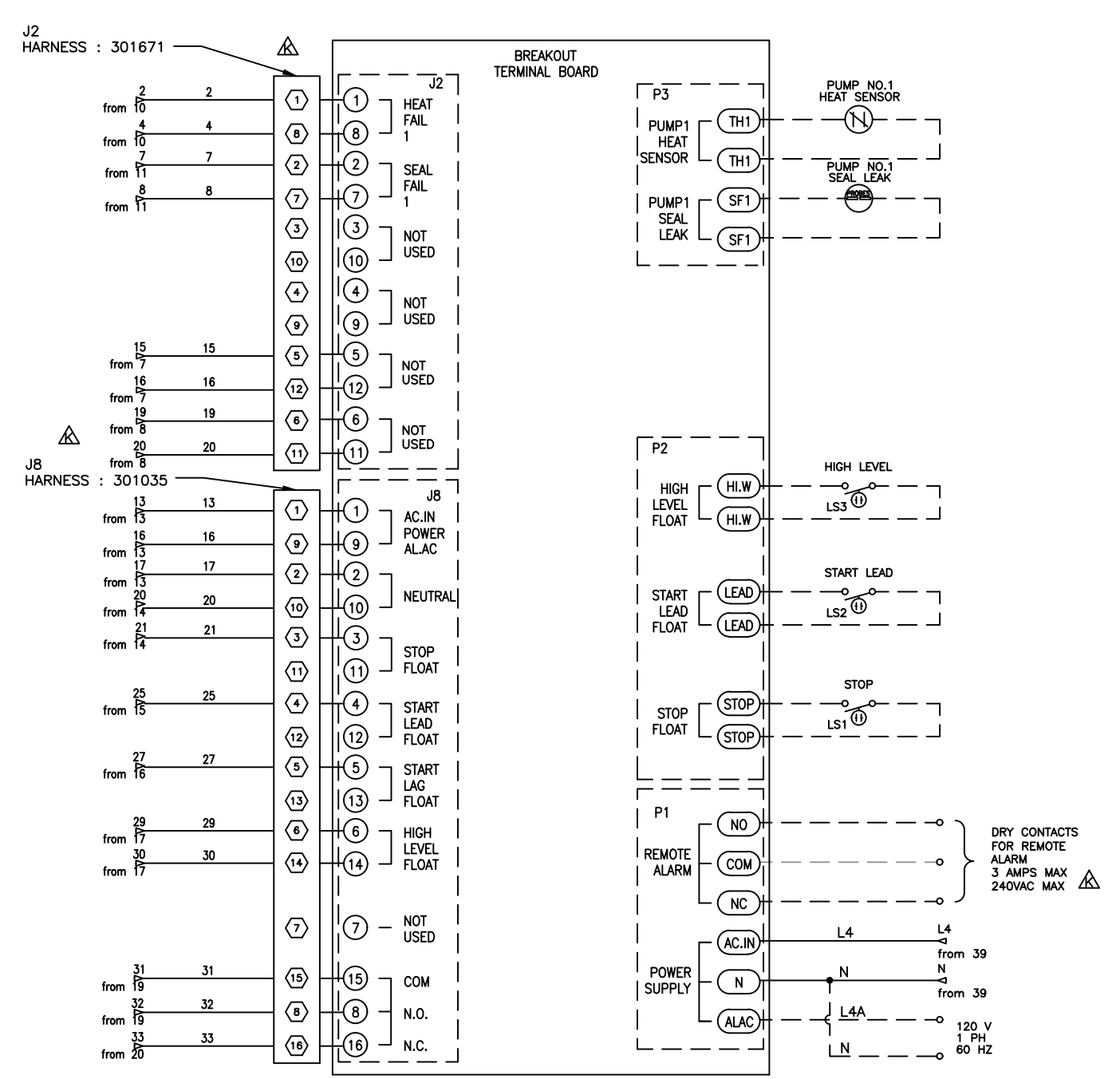
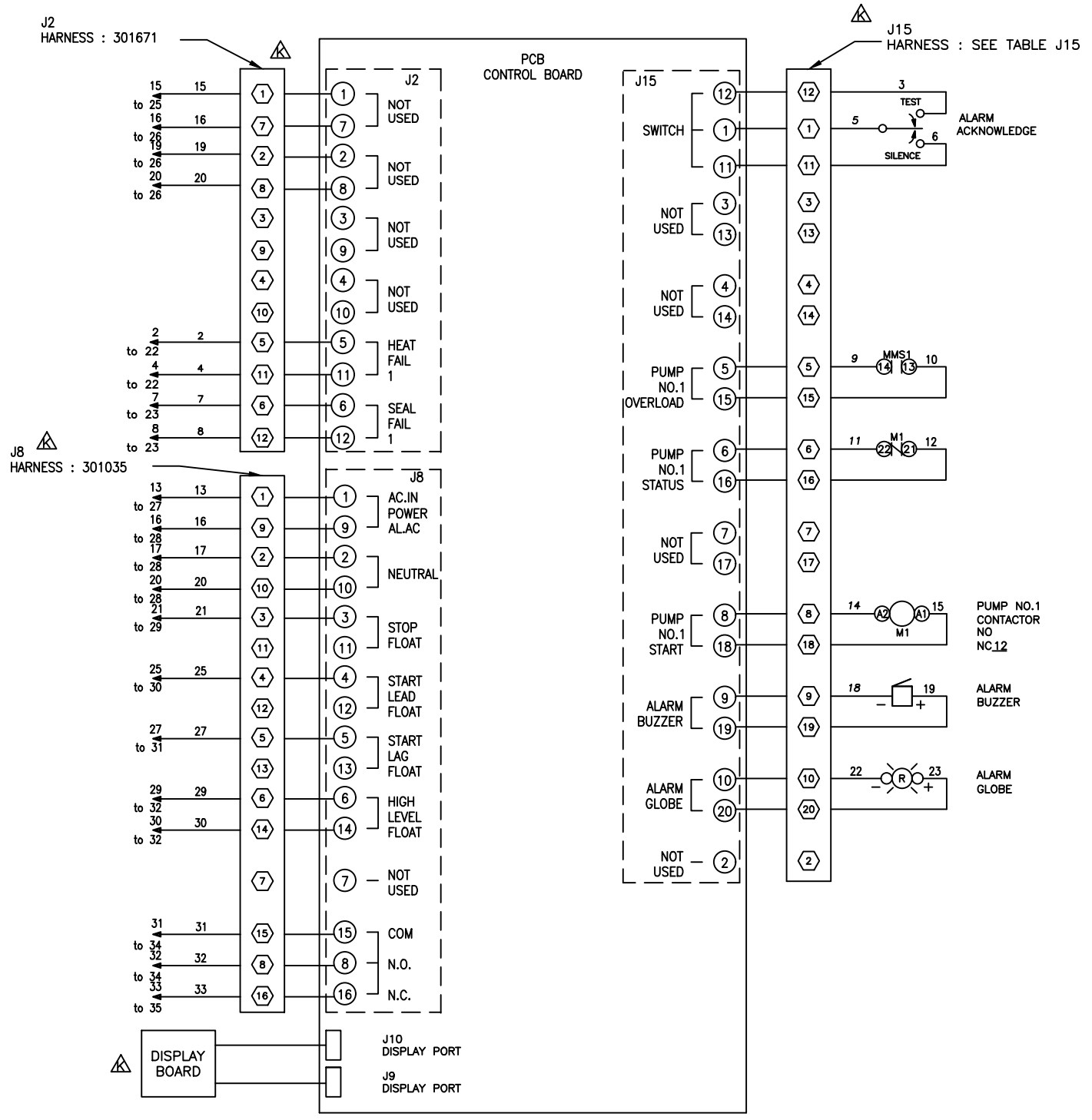
- NOTES:**
- CUSTOMER WIRING INDICATED BY DASHED LINES.
 - TIGHTENING TORQUE SPECIFIED IN "TORQUE SETTING" CHART.
 - WIRE TEMPERATURE RATING TO BE 60°C/140°F MINIMUM.
 - WIRING TYPE: COPPER AND SUITABLE FOR EXTERNAL HOOKUP
 - APPLICABLE VOLTAGE 208V, 240V, 480V.
 - CHOOSE ONE OF THE FOLLOWING VOLTAGE SELECT OPTIONS; 480V(H1), 240V(H2), 208V(H3).
 - BOTH CONTROL AND ALARM TERMINALS REQUIRE POWER FOR PROPER FUNCTION.
 - FUSE 2 (TRANSFORMER 1) CONNECTED INTERNALLY.
 - REMOVE JUMPER IF HEAT SENSOR IS USED.

DRAWING DESCRIPTION: PIVOT PRO 3PH SIMPLEX STANDARD WIRING DIAGRAM		NUMBERS ENCLOSED IN A CIRCLE (1, 2, 3) ARE CRITICAL TO QUALITY (CTQ) ITEMS. THIS INDICATES A CRUCIAL SPECIFICATION THAT MUST BE ROUTINELY VERIFIED.	
TOLERANCES: X ±.1 XX ±.03 XXX ±.010		©COPYRIGHT, 2020 : ALL RIGHTS RESERVED BY ZOELLER.	
DRAFTER: S.MURRAY		DATE: 05/01/20	
ELECTRONIC SCALE: 1X DO NOT SCALE PRINT EXCEPT AS NOTED DIMENSIONS ARE IN INCHES.		PART NUMBER: 301099 PART REVISION: B DRAWING NUMBER: 301099	
SHEET: 1 OF 3		DATE: 11/2/23 DRAFTER: George Matwii	



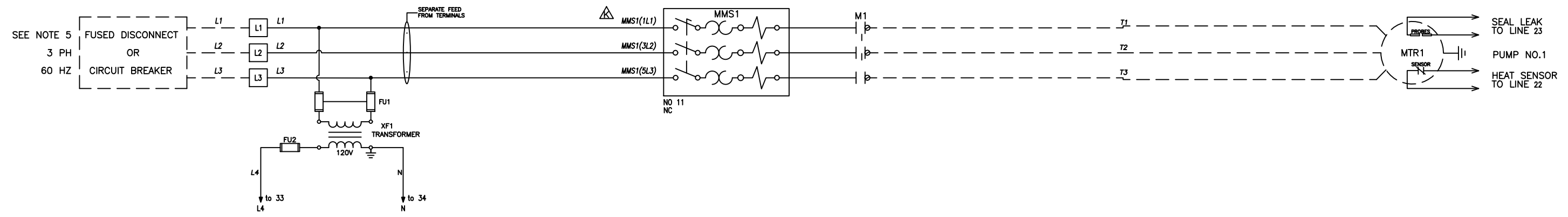
1
2
3
4
5
6
7
8
9
10
11
12
13
14
15
16
17
18
19
20

21
22
23
24
25
26
27
28
29
30
31
32
33
34
35



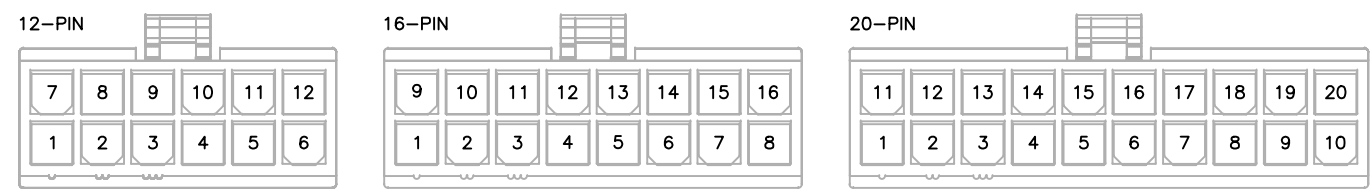
TERMINAL LEGEND
◻ DENOTE MOLEX PIN

NOTE:
TERMINAL (AC.IN) AND TERMINAL (ALAC) ARE JUMPED BY FACTORY DEFAULT. REMOVE JUMPER TO PROVIDE EXTERNAL 120VAC SUPPLY FOR ALARMS.



36
37
38
39
40
41
42
43
44
45
46
47
48
49
50
51
52
53
54
55

MOLEX DETAILS



TERMINAL LEGEND
 DENOTE LOCAL TERMINAL

ZOELLER

PUMP COMPANY

THIS SHEET MUST BE ACCOMPANIED BY ALL RELATED SHEETS.
 SHEET: 3 OF 3

DRAWING NUMBER:
301099