

DRAWING REVISIONS				
LTR	BY	DATE	ECO #	DESCRIPTION
ISM	AF	05/01/20	11069	RELEASE
AF	AF	08/20/20	11098	JUMPERS ADDED
AF	AF	09/15/20	11110	WIRE LABELS CHANGED
AF	AF	01/13/21	11188	LEGAL NOTICE ADDED
AF	AF	05/25/21	11320	HEAT AND SEAL ADDED
AF	AF	08/30/21	11366	HEAT AND SEAL WIRING UPDATED
AF	AF	12/07/21	11391	APPLICABLE VOLTAGE UPDATED
PY	PY	11/11/22	11437	TORQUE SETTING & NOTE ADDED
PY	PY	05/30/23	11605	DRAWING UPDATES
MK	MK	09/21/23	11605	MMS2 WIRE TAG UPDATE
MK	MK	11/02/23	20234	NOTE 6 UPDATED

J15 HARNESSES	
ENCLOSURE SIZE	HARNESS #
14"x12"x7"	302387
16"x14"x7"	300923

**WARNING:** ⚠️  
SEPARATE OVERCURRENT PROTECTION IS REQUIRED TO BE PROVIDED IN ACCORDANCE WITH PREVAILING LOCAL CODES (NFPA70: NATIONAL ELECTRICAL CODE OR CANADIAN ELECTRICAL CODE PART 1)

**NOTICE:**  
THESE ARE INFORMATIONAL SCHEMATICS ONLY. THEY DO NOT REPLACE PROFESSIONAL GUIDANCE WITHIN ANY JURISDICTION OR FOR ANY APPLICATION AND SHOULD NOT BE RELIED UPON TO DO SO

TULSAR END ITEM#
EPA24A2-0001
EPA24B2-0001
EPA24C2-0001
EPA24D2-0001
EPA24E2-0001
EPA24F2-0001
EPA24G2-0001
EPA24H2-0001
EPA24Q2-0001
EPA24R2-0001
EPA24S2-0001
EPA24T2-0001

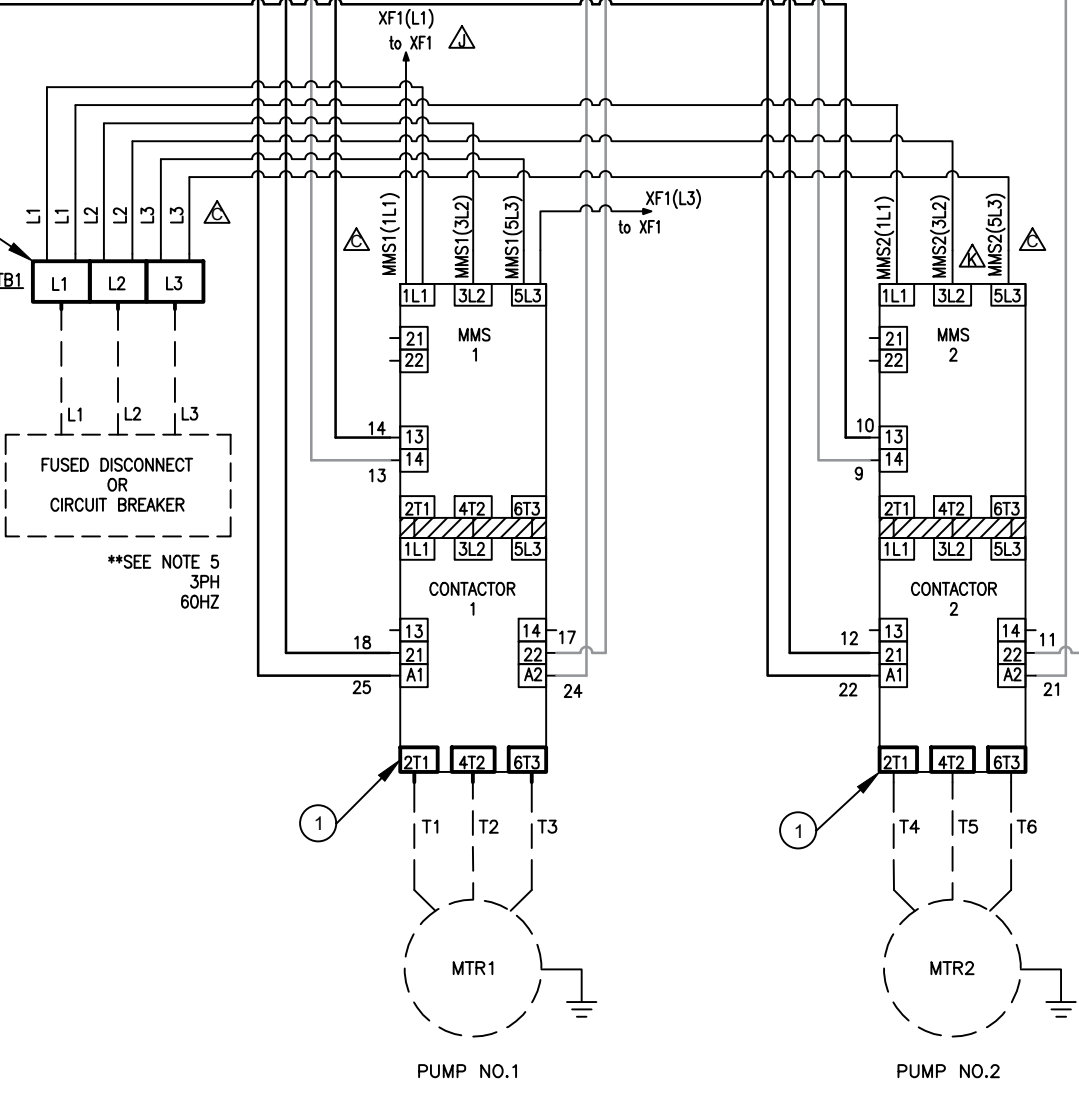
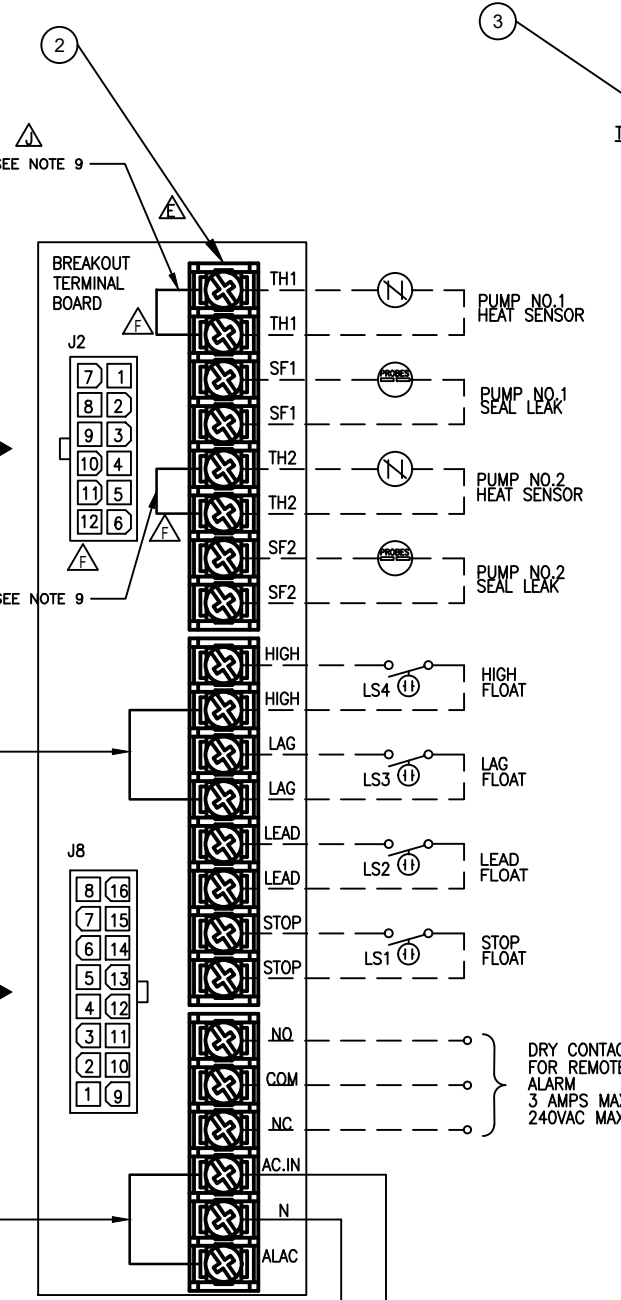
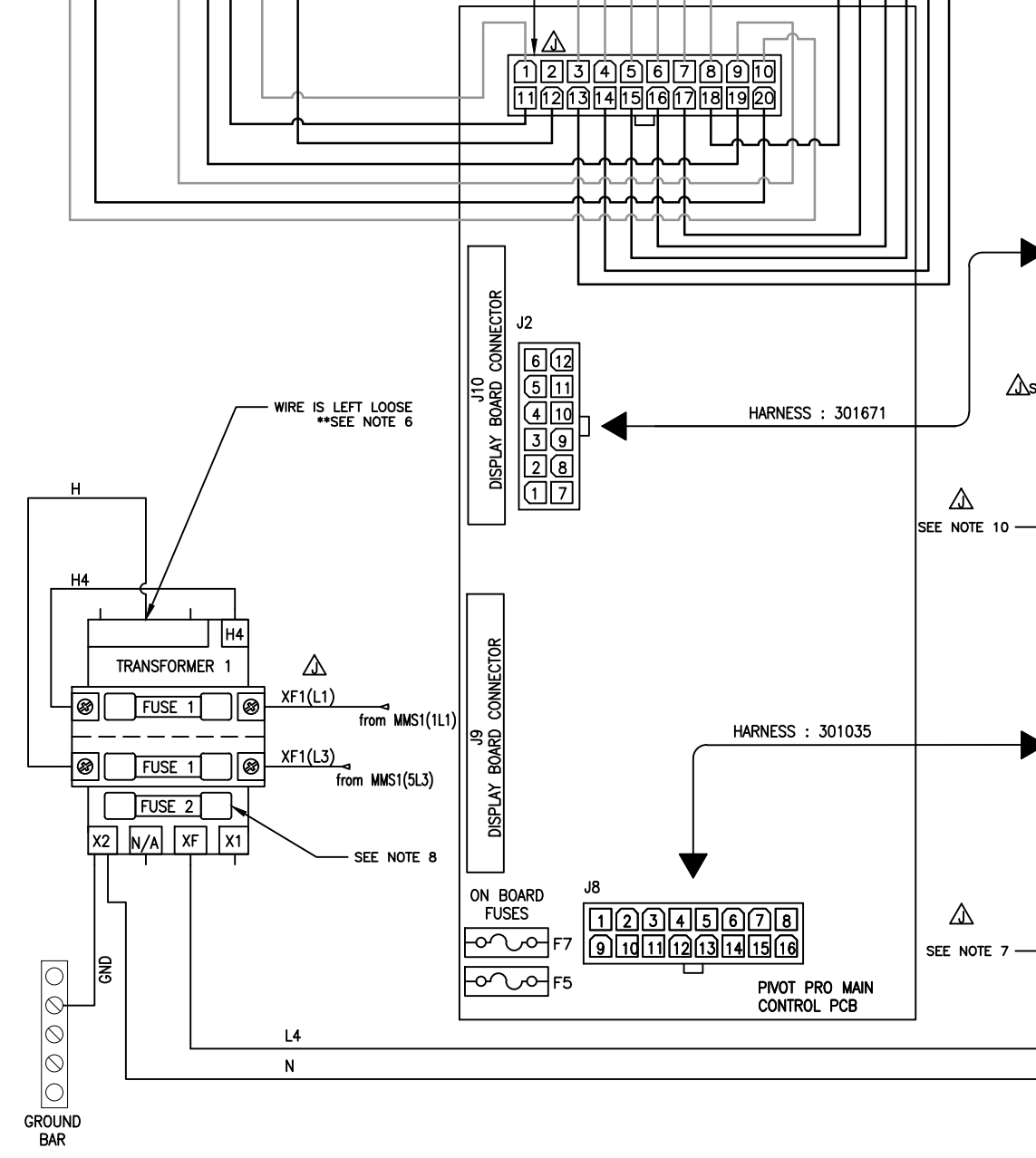
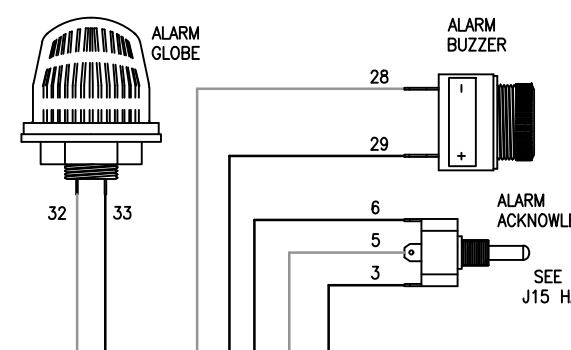
**ZOELLER** PUMP COMPANY

DATE: 11/2/23  
DRAWN BY: George Matzui

PART NUMBER: 301019  
PART REVISION: A

DRAWING NUMBER: 301019  
SHEET: 1 OF 3

CUSTOMER TORQUE SETTING		
NUMBER	COMPONENT	TORQUE
1	CONTACTOR LC1D09G7-LC1D18G7	1.7 N.m. 15 lb-in
	CONTACTOR LC1D25G7-LC1D32G7	2.5 N.m. 22 lb-in
	CONTACTOR LC1D40AG7-LC1D65AG7	5-8 N.m. 70 lb-in
2	BREAKOUT TERMINAL BOARD	0.82 N.m. 7.3 lb-in
3	TERMINAL BLOCK 6mm <sup>2</sup> -CROSS SECTION	1.5-1.8 N.m. 13.3-15.9 lb-in
	TERMINAL BLOCK 16mm <sup>2</sup> -CROSS SECTION	2.5-3 N.m. 22.1-26.5 lb-in
	TERMINAL BLOCK 35mm <sup>2</sup> -CROSS SECTION	3.2-3.7 N.m. 28.3-32.7 lb-in



- NOTES:**
- CUSTOMER WIRING INDICATED BY DASHED LINES.
  - TIGHTENING TORQUE SPECIFIED IN "TORQUE SETTING" CHART.
  - WIRE TEMPERATURE RATING TO BE 60°C/140°F MINIMUM.
  - WIRING TYPE: COPPER AND SUITABLE FOR EXTERNAL HOOKUP
  - APPLICABLE VOLTAGE 208V, 240V, 480V.
  - CHOOSE ONE OF THE FOLLOWING VOLTAGE SELECT OPTIONS; 480V(H1), 240V(H2), 208V(H3).
  - BOTH CONTROL AND ALARM TERMINALS REQUIRE POWER FOR PROPER FUNCTION.
  - FUSE 2 (TRANSFORMER 1) CONNECTED INTERNALLY.
  - REMOVE JUMPER IF HEAT SENSOR IS USED.
  - REMOVE JUMPER IF IT IS A 4 FLOAT SYSTEM.

**DRAWING DESCRIPTION:**  
PIVOT PRO 3PH DUPLEX STANDARD WIRING DIAGRAM

**TOLERANCES:**  
X ±.1  
XX ±.03  
XXX ±.010

**NUMBERS ENCLOSED IN A CIRCLE: ①, ②, ③ ARE CRITICAL TO QUALITY (CTQ) ITEMS. THIS INDICATES A CRUCIAL SPECIFICATION THAT MUST BE ROUTINELY VERIFIED.**

©COPYRIGHT, 2020 : ALL RIGHTS RESERVED BY ZOELLER.

DATE: 11/2/23  
DRAWN BY: George Matzui

1  
2  
3  
4  
5  
6  
7  
8  
9  
10  
11  
12  
13  
14  
15  
16  
17  
18  
19  
20

21  
22  
23  
24  
25  
26  
27  
28  
29  
30  
31  
32  
33  
34  
35

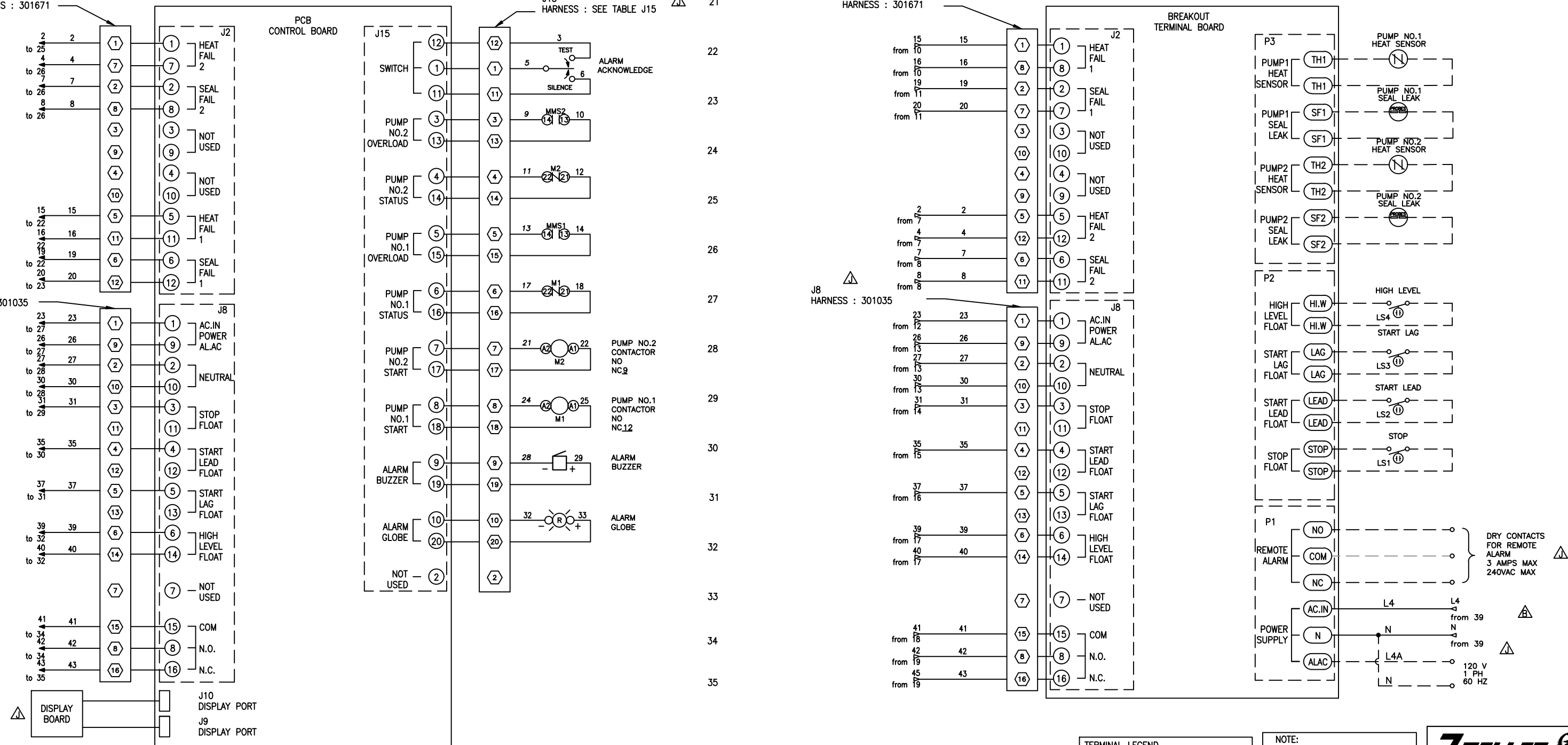
J2 HARNESS : 301671

J15 HARNESS : SEE TABLE J15

J2 HARNESS : 301671

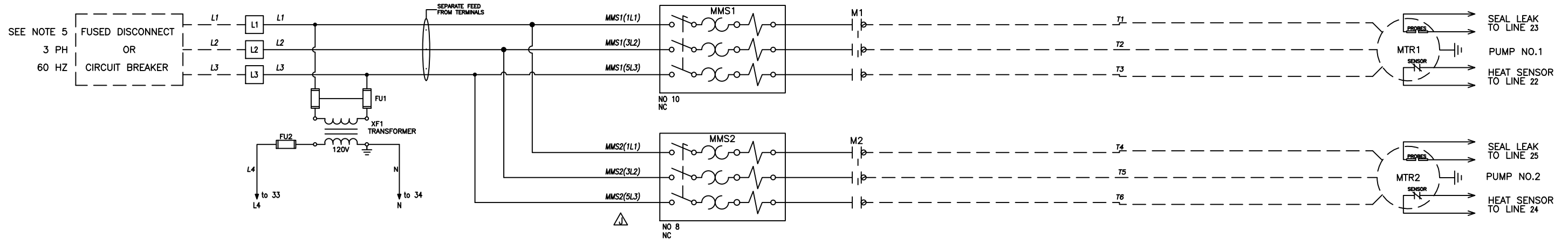
J8 HARNESS : 301035

J8 HARNESS : 301035



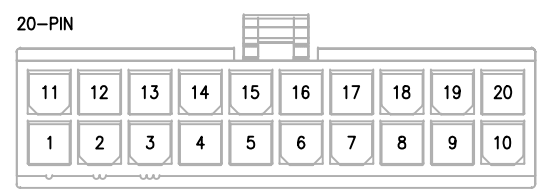
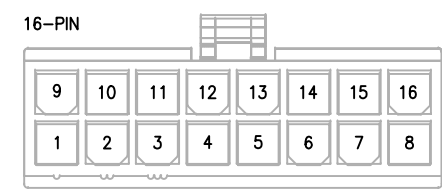
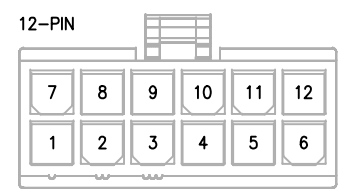
TERMINAL LEGEND  
◻ DENOTE MOLEX PIN

NOTE:  
TERMINAL (AC.IN) AND  
TERMINAL (ALAC) ARE JUMPED  
BY FACTORY DEFAULT.  
REMOVE JUMPER TO PROVIDE  
EXTERNAL 120VAC SUPPLY FOR  
ALARMS.



36  
37  
38  
39  
40  
41  
42  
43  
44  
45  
46  
47  
48  
49  
50  
51  
52  
53  
54  
55

MOLEX DETAILS



TERMINAL LEGEND  
□ DENOTE LOCAL TERMINAL

**ZOELLER**

PUMP COMPANY

THIS SHEET MUST BE ACCOMPANIED BY ALL RELATED SHEETS.  
DRAWING NUMBER: 301019  
SHEET: 3 OF 3