

Trusted. Tested. Tough.®

SECTION: 2.15.045

FM2985

0720Supersedes

0619

Product information presented here reflects conditions at time of publication. Consult factory regarding discrepancies or inconsistencies.



TECHNICAL DATA SHEET

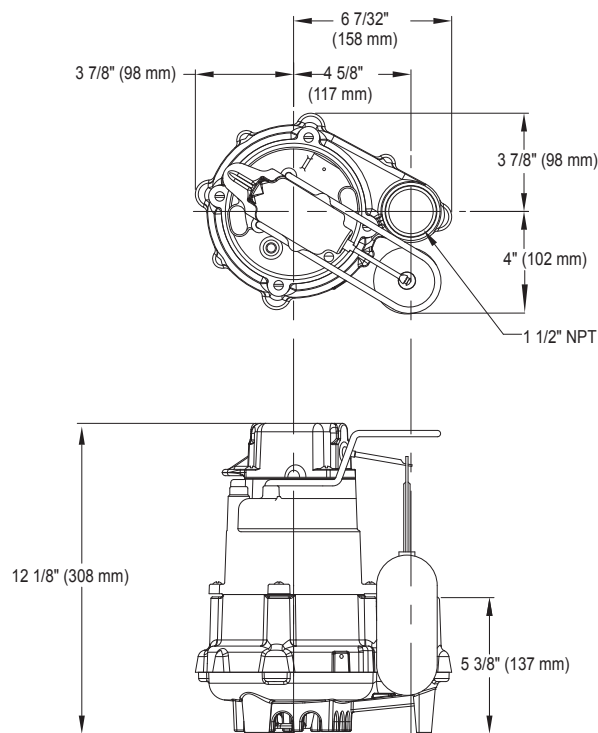
PREMIUM SERIES MIGHTY-MATE

Cast Iron Model 95

Submersible Sump / Dewatering Pumps

PRODUCT SPECIFICATIONS

MOTOR	Horse Power	1/2
	Voltage	115
	Phase	1 Ph
	Hertz	60 Hz
	RPM	3450
	Type	Permanent split capacitor
	Insulation	Class B
	Amps	10.5
PUMP	Operation	Automatic
	Auto On/Off Points	9-1/2" (24 cm) / 2-1/2" (6.4 cm)
	Discharge Size	1-1/2" NPT
	Solids Handling	1/2" (12 mm) spherical solids
	Cord Length	15' (4.6 m)
	Cord Type	UL listed, 3-wire, grounded plug
	Max. Head	26' (7.9 m)
	Max. Flow Rate	80 GPM (303 LPM)
	Max. Operating Temp.	130° F (54° C)
	Cooling	Oil filled
	Motor Protection	Auto reset thermal overload
	MATERIALS	Cap
Motor Housing		Cast iron
Pump Housing		Cast iron
Base		Cast iron
Upper Bearing		Sleeve bearing
Lower Bearing		Ball bearing
Mechanical Seals		Carbon and ceramic
Impeller Type		Non-clogging vortex
Impeller		Engineered thermoplastic
Hardware		Stainless steel
Motor Shaft		AISI 1215 cold rolled steel
Gasket		Neoprene



SK3129

NOTE: See model comparison chart for specific details.

Made In The USA.
Using a MAJORITY OF U.S. content.

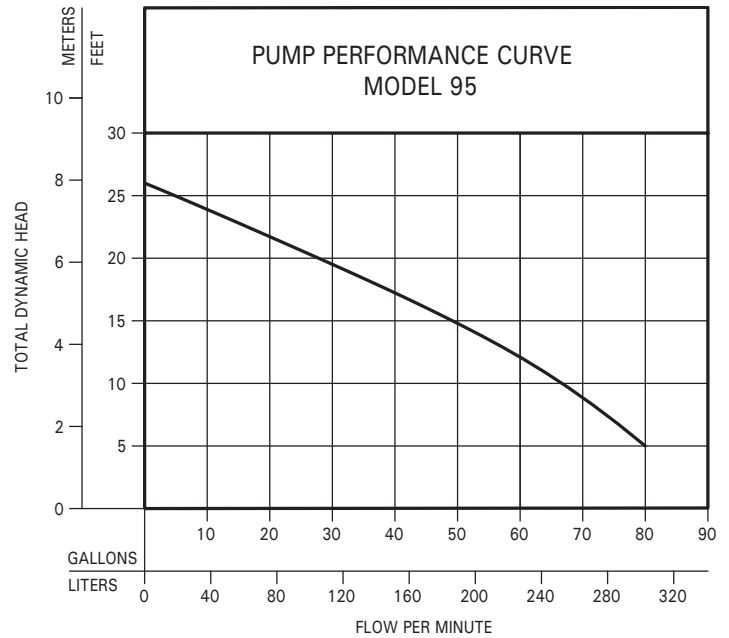


© Copyright 2019 Zoeller® Co. All rights reserved.

502-778-2731 | 800-928-7867 | 3649 Cane Run Road | Louisville, KY 40211-1961 | www.zoeller.com

TOTAL DYNAMIC HEAD FLOW PER MINUTE

MODEL		95	
Feet	Meters	Gal.	Liters
5	1.5	80	303
10	3.0	68	257
15	4.6	50	189
20	6.1	28	106
25	7.6	5	19
Shut-off Head:		26.0 ft (7.9 m)	



154422

Model	MODEL COMPARISON											CERTIFICATIONS
	Seal	Mode	Volts	Ph	Amps	HP	Hz	Lbs	Kg	Simplex	Duplex	cCSAus
M95	Single	Auto	115	1	10.5	1/2	60	38	17	1	---	Y

* Single piggyback switch included.

SPECIAL MODEL FEATURES

Has a lighted plug, cast iron switch case, motor and pump housing, a cast iron base, and a thermoplastic impeller.

Optional pump stand (P/N 10-2421). Integral float-operated electro-mechanical switch, no external control required.

CAUTION

All installation of controls, protection devices and wiring should be done by a qualified licensed electrician. All electrical and safety codes should be followed including the most recent National Electrical Code (NEC) and the Occupational Safety and Health Act (OSHA).