

Product information presented here reflects conditions at time of publication. Consult factory regarding discrepancies or inconsistencies.

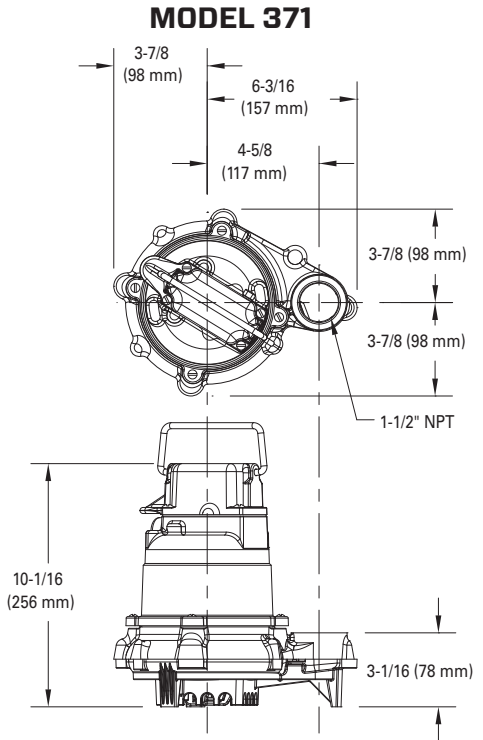
TECHNICAL DATA SHEET

EVAPORATIVE COOLING PUMPS

Models 371, 372, 373 Submersible Effluent/Dewatering Pump

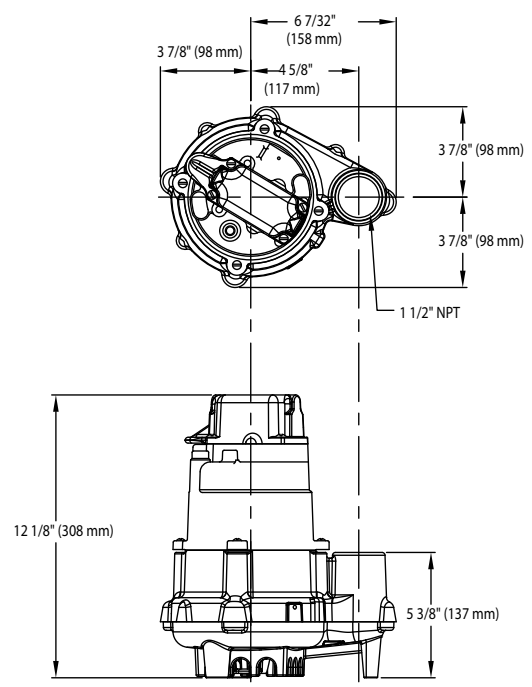
PRODUCT SPECIFICATIONS

MOTOR	Horse Power	0.3-0.4
	Voltage	115 or 230
	Phase	1 Ph
	Hertz	60 Hz
	RPM	1550-3450
	Type	Permanent split capacitor or shaded pole
	Insulation	Class B
	Amps	3.0 - 9.7
PUMP	Operation	Nonautomatic
	Discharge Size	1-1/2" NPT
	Solids Handling	1/2" (13 mm) spherical solids
	Cord Length	20' (6 m) standard
	Cord Type	UL listed
	Max. Head	38' (11 m)
	Max. Flow Rate	69 GPM (261 LPM)
	Max. Operating Temp.	130° F (54° C)
	Cooling	Oil filled
	Motor Protection	Auto reset thermal overload
MATERIALS	Cap	Cast iron
	Motor Housing	Cast iron
	Pump Housing	Cast iron
	Base	Cast iron or plastic
	Upper Bearing	Oil-fed cast iron
	Lower Bearing	Oil-fed cast iron or ball bearing
	Mechanical Seals	Carbon and silicon carbide
	Impeller Type	Non-clogging vortex
	Impeller	Engineered plastic
	Hardware	Stainless steel
	Motor Shaft	AISI 1215 cold rolled steel
	Gasket	Neoprene



SK1014

MODELS 372 & 373



SK2064

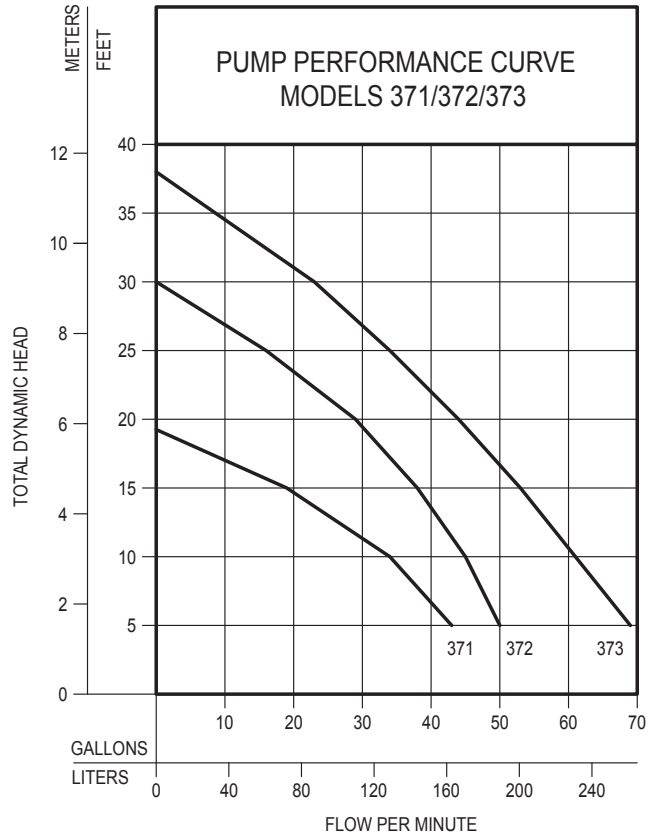
NOTE: See model comparison chart for specific details.



TOTAL DYNAMIC HEAD FLOW PER MINUTE

MODEL		371		372		373	
Feet	Meters	Gal.	Liters	Gal.	Liters	Gal.	Liters
5	1.5	43	163	50	189	69	261
10	3.0	34	129	45	170	61	231
15	4.6	19	72	38	144	53	201
20	6.1	--	--	29	110	44	167
25	7.6	--	--	16	61	34	129
30	9.1	--	--	--	--	23	87
Shut-off Head:		19.25 ft (5.9 m)		30 ft (9.1 m)		38 ft (11.6 m)	

019748



Model	MODEL COMPARISON								
	Seal	Mode	Volts	Ph	Amps	HP	Hz	Lbs	Kg
371-0002	Single	Non	115	1	9.7	0.3	60	21.0	9.5
371-0004	Single	Non	230	1	4.8	0.3	60	21.0	9.5
372-0002	Single	Non	115	1	6.0	0.3	60	32.0	14.5
372-0004	Single	Non	230	1	3.0	0.3	60	32.0	14.5
373-0002	Single	Non	115	1	8.5	0.4	60	37.0	16.8
373-0004	Single	Non	230	1	4.3	0.4	60	37.0	16.8

CAUTION

All installation of controls, protection devices and wiring should be done by a qualified licensed electrician. All electrical and safety codes should be followed including the most recent National Electrical Code (NEC) and the Occupational Safety and Health Act (OSHA).