

Trusted. Tested. Tough.™

Product information presented here reflects conditions at time of publication. Consult factory regarding discrepancies or inconsistencies.



SECTION: 2.70.040

FM2815

1114

Supersedes

1113

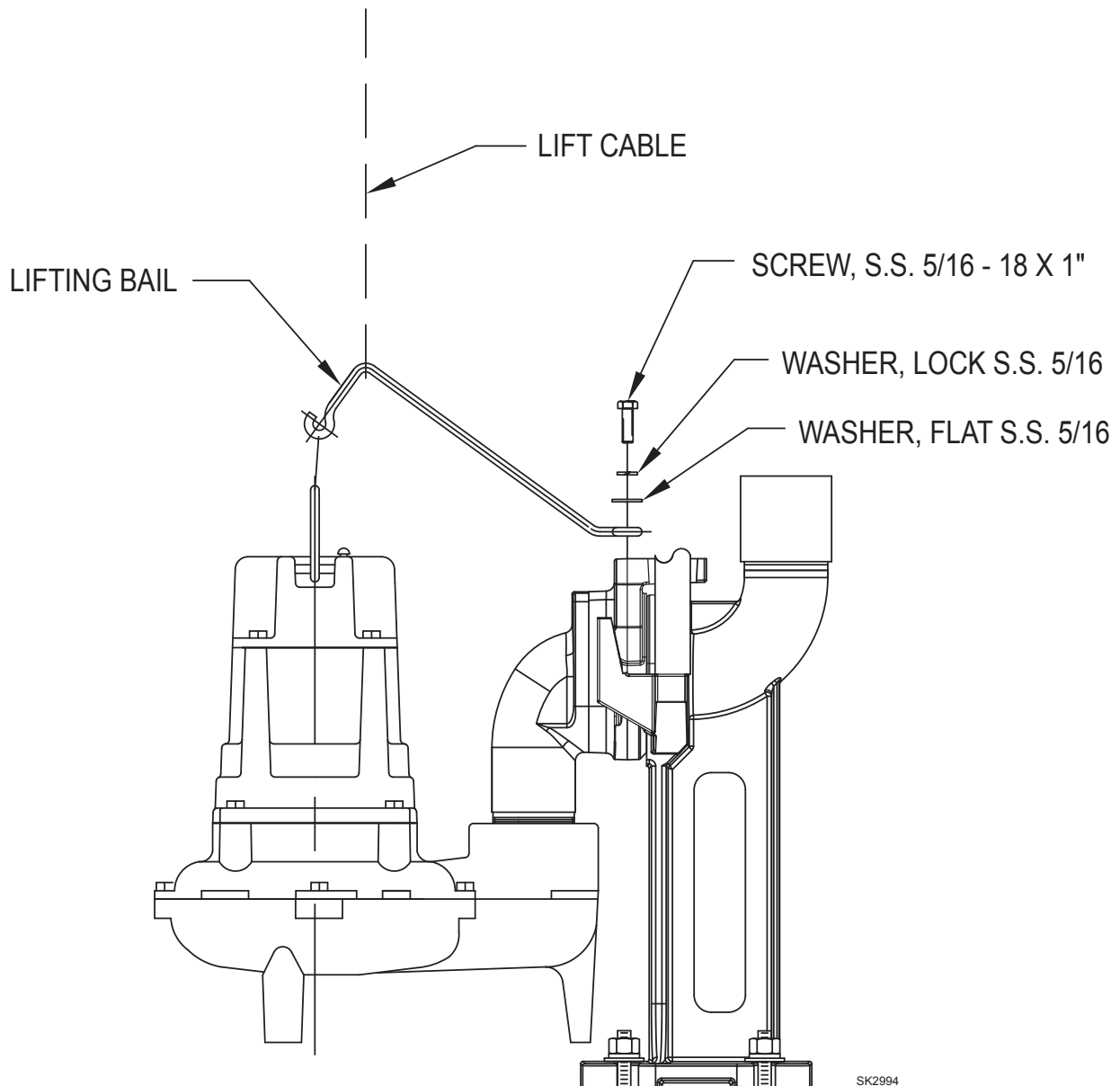
MAIL TO: P.O. BOX 16347 • Louisville, KY 40256-0347
SHIP TO: 3649 Cane Run Road • Louisville, KY 40211-1961
TEL: (502) 778-2731 • 1 (800) 928-PUMP • FAX: (502) 774-3624

Visit our web site:
zoellerpumps.com



Z-RAIL® LIFTING BAIL BRACKET INSTALLATION DATA

FOR P/N 10-2316, 10-3560, 10-3561, 10-3829



SK2994

P/N 10-2316: 130, 260, 270 Series
P/N 10-3560: 50, 90, 150 Series
P/N 10-3561: 140 Series
P/N 10-3829: 803, 805, 807 Series