

Product information presented here reflects conditions at time of publication. Consult factory regarding discrepancies or inconsistencies.



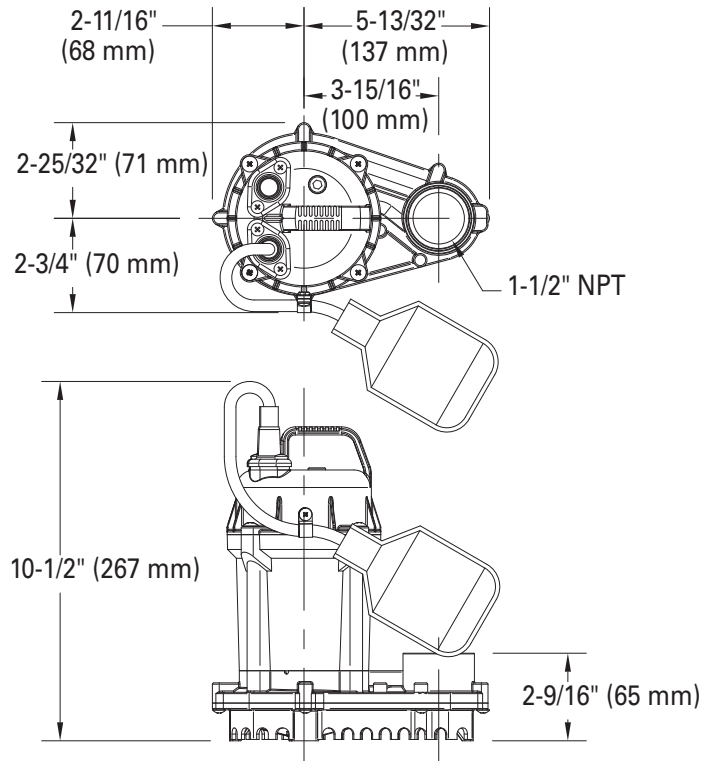
TECHNICAL DATA SHEET



Model 49 Cast Iron Submersible Sump Pump

PRODUCT SPECIFICATIONS

|                  |                      |                                      |
|------------------|----------------------|--------------------------------------|
| <b>MOTOR</b>     | Horse Power          | 1/4                                  |
|                  | Voltage              | 115                                  |
|                  | Phase                | 1 Ph                                 |
|                  | Hertz                | 60 Hz                                |
|                  | RPM                  | 3450                                 |
|                  | Type                 | Permanent split capacitor            |
|                  | Insulation           | Class B                              |
|                  | Amps                 | 4.0                                  |
| <b>PUMP</b>      | Operation            | Automatic                            |
|                  | Auto On/Off Points   | 11-1/4" / 4-1/8" (28.6 cm / 10.5 cm) |
|                  | Discharge Size       | 1-1/2" NPT                           |
|                  | Solids Handling      | 3/8" (9 mm) spherical solids         |
|                  | Cord Length          | 10' (3 m) standard                   |
|                  | Cord Type            | UL listed, 3-wire, grounded plug     |
|                  | Max. Head            | 18' (5.5 m)                          |
|                  | Max. Flow Rate       | 32 GPM (121 LPM)                     |
|                  | Max. Operating Temp. | 104° F (40° C)                       |
|                  | Cooling              | Oil filled                           |
|                  | Motor Protection     | Auto reset thermal overload          |
| <b>MATERIALS</b> | Cap                  | Engineered plastic                   |
|                  | Motor Housing        | Cast iron                            |
|                  | Pump Housing         | Engineered plastic                   |
|                  | Base                 | Engineered plastic                   |
|                  | Upper Bearing        | Ball bearing                         |
|                  | Lower Bearing        | Ball bearing                         |
|                  | Mechanical Seals     | Carbon and ceramic                   |
|                  | Impeller Type        | Non-clogging vortex                  |
|                  | Impeller             | Engineered plastic                   |
|                  | Hardware             | Stainless steel                      |
|                  | Gasket               | NBR                                  |



SK2635

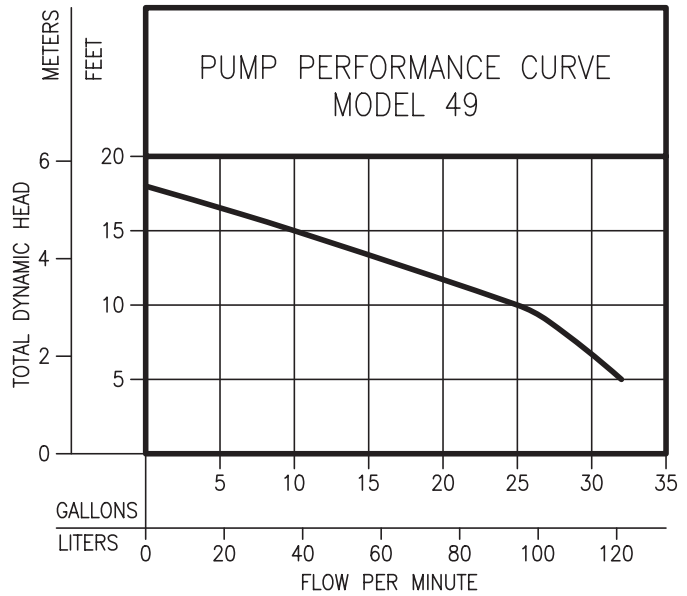
NOTE: See model comparison chart for specific details.



C 227875 US  
Certified to CSA  
Standard C22.2 No. 108

**TOTAL DYNAMIC HEAD  
FLOW PER MINUTE**

|                |        |               |        |
|----------------|--------|---------------|--------|
| MODEL          |        | 49            |        |
| Feet           | Meters | Gal.          | Liters |
| 5              | 1.5    | 32            | 121    |
| 10             | 3.0    | 25            | 95     |
| 15             | 4.6    | 10            | 38     |
| Shut-off Head: |        | 18 ft. (5.5m) |        |



018141

| Model | MODEL COMPARISON |      |       |    |      |     |    |     |    |
|-------|------------------|------|-------|----|------|-----|----|-----|----|
|       | Seal             | Mode | Volts | Ph | Amps | HP  | Hz | Lbs | Kg |
| WM49  | Single           | Auto | 115   | 1  | 4.0  | 1/4 | 60 | 11  | 5  |

**OPTIONAL PUMP STAND P/N 10-2421**

- Reduces potential clogging by debris
  - Replaces rocks or bricks under the pump
  - Made of durable, noncorrosive ABS
  - Raises pump 2" (5 cm) off bottom of basin
  - Provides the ability to raise intake by adding sections of 1½" or 2" (DN40 or DN50) PVC piping
  - Attaches securely to pump
  - Accommodates sump, dewatering and effluent applications
- NOTE: Make sure float is free from obstruction.

