

Product information presented here reflects conditions at time of publication. Consult factory regarding discrepancies or inconsistencies.



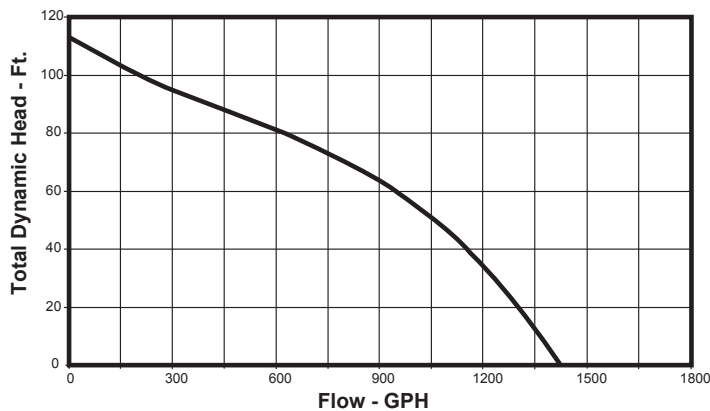
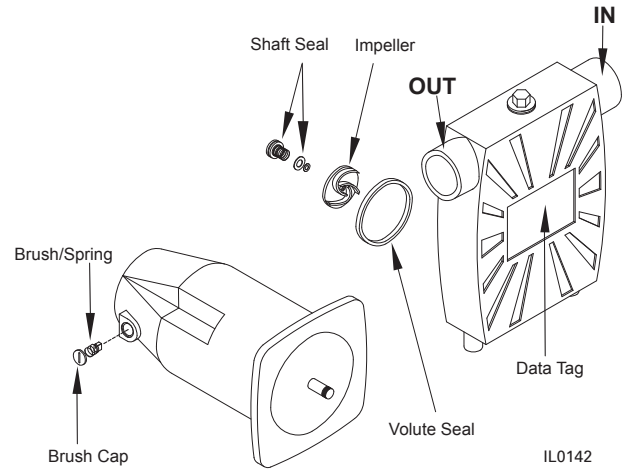
TECHNICAL DATA SHEET

HIGH-CAPACITY WATER MOVER SERIES

Model 314 Non-Submersible Utility Pump

PRODUCT SPECIFICATIONS

MOTOR	Horse Power	1/2
	Voltage	115
	Phase	1 Ph
	Hertz	60 Hz
PUMP	Operation	Nonautomatic
	Discharge Size	3/4" NPT brass or standard garden hose
	Cord Length	20' (6 m) standard
	Cord Type	grounded plug
	Max. Head	110' (33.5 m)
	Max. Flow Rate	1400 GPH (5300 LPH)
	Max. Operating Temp.	104° F (40° C)
	Cooling	Air
MATERIALS	Pump Housing	Cast iron
	Mechanical Seals	Carbon and ceramic
	Impeller	Engineered plastic
	Weight	17 lbs. (8 kg)



IL0153

TOTAL DYNAMIC HEAD FLOW PER HOUR

Model	Volts	Max. Flow 1' (.3 m) Head	Shut-Off Head
314-0002	115 V	1400 GPH (5300 LPH)	110' (33.5 m)



NOTE: Each pump is equipped with a suction screen and an extra set of brushes

