

Product information presented here reflects conditions at time of publication. Consult factory regarding discrepancies or inconsistencies.



MAIL TO: P.O. BOX 16347 • Louisville, KY 40256-0347
SHIP TO: 3649 Cane Run Road • Louisville, KY 40211-1961
TEL: (502) 778-2731 • 1 (800) 928-PUMP • FAX: (502) 774-3624

Visit our website:
zoellerpumps.com

REPLACEMENT PARTS LIST FOR MODELS:

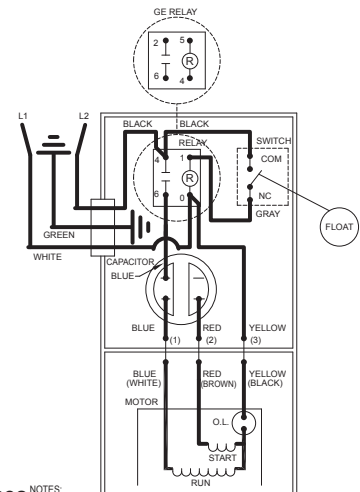
- H165 AUTOMATIC 200V/1PH
- I165 NONAUTOMATIC 200V/1PH
- J165 NONAUTOMATIC 200V/3PH
- F165 NONAUTOMATIC 230V/3PH
- G165 NONAUTOMATIC 460V/3PH
- BA165 NONAUTOMATIC 575V/3PH

Consult factory for all other Models

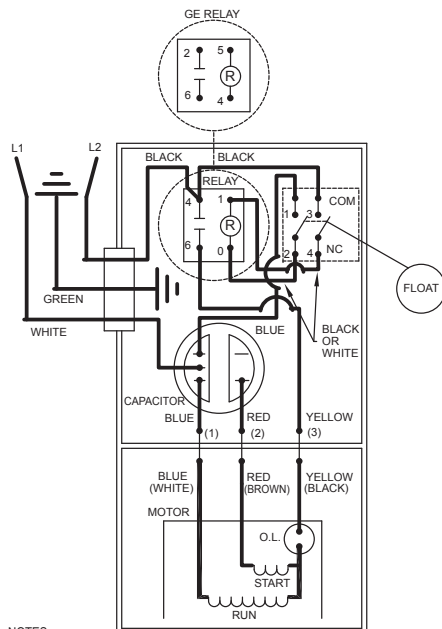
TO ORDER REPLACEMENT PARTS:

PLEASE FURNISH THE FOLLOWING INFORMATION:

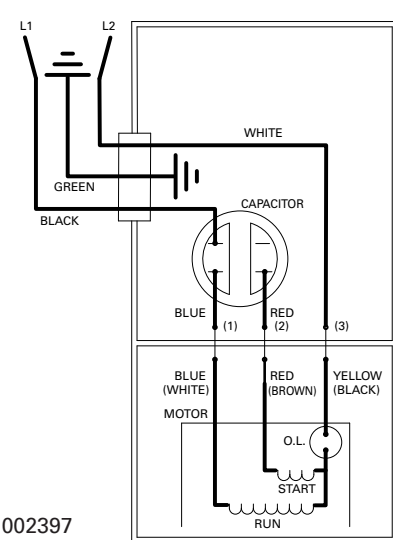
- Model Number.
- Part Number of Pump.
(If manufactured prior to June 1988, give 2 letter date code following Model No.)
- Part Number and Description of part.



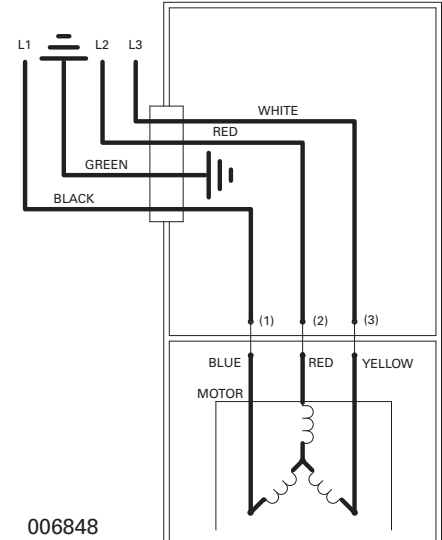
002398 NOTES:
INSULATORS REQUIRED ON GE RELAY TERMINALS 2 & 5.
OMRON RELAY TERMINALS 1 & 4.
WIRING DIAGRAM FOR MODELS
"H165-A" 10/82 (WN) thru 1/85 (MR)
"H165-B" 2/85 (NR) thru 8/86 (US)



004622 NOTES:
WIRING DIAGRAM FOR MODELS
"H165-C"
9/86 (VS) thru Current



002397
WIRING DIAGRAM FOR MODELS
"I165" All Revisions



006848
WIRING DIAGRAM FOR MODELS
"J165" All Revisions
"F165" All Revisions
"G165" All Revisions
"BA165" All Revisions

REPLACEMENT PARTS LIST FOR MODELS "H165"

See page 7 for "H165" illustration.

REF. NO.	DESCRIPTION	QTY	NOTES	MODELS: H165-A			H165-B	H165-C
				10/82 WN thru 1/85 MR	2/85 NR thru 8/86 US	9/86 VS thru Current		
1	CASE, SW. & CORD	1	2,3	005383	005383	005383		
2	• HANDLE	1		217069	217069	217069		
3	CORD, TERM & SEAL	1	2,3	005384	005384	005384		
4	CLAMP, STRAIN RELIEF	1	3	001770	001770	001770		
5	• SEAL, CORD-ASM & STR RLF	1	3	094032	094032	094032		
6	CASE-MACH	1	2,3	004614	004614	004614		
7	• GUARD	1		001023	001023	001023		
8	• ARM & SEAL ASM	1		002379	002379	004745		
9	• GASKET, CASE/COVER	1		001011	001011	001011		
10	SWITCH ASM	1		002380	002380	004744		
11	• WIRE PKG	1		001070	001070	004749		
12	CAPACITOR & CLAMP ASM	1		002381	002381	002381		
13	RELAY	1		217093	217093	217093		
14	FLOAT, PLASTIC	1		094039	094039	094039		
15	GUIDE ASM, FLT ROD	1		001072	001072	001072		
16	ROD ASM, FLT	1		003083	003083	003083		
17	HOUSING, MTR- & STR	1	1,6	005529	005529	005529		
18	BEARING, SLEEVE	1		001012	001012	001012		
19	• PLUG, TEST-WHITE	2		034090	034090	034090		
20	• SEAL, THRU WALL TERM	3		003402	003402	003402		
21	ROTOR & BRG	1		001074	001074	001074		
22	BEARING, RADIAL	1		001013	001013	001013		
23	• SEAL, MTR HSG	1		001014	001014	001014		
24	• OIL, DIELECTRIC	1		003168	003168	003168		
25	ADAPTER-MACH	1		001003	001003	001003		
26	• SEAL, SHAFT	1		002430	002430	002430		
27	FLANGE PKG 2" NPT	1		N/A	10-1305	10-1305		
	FLANGE PKG 3" NPT	1		N/A	10-1306	10-1306		
28	IMPELLER "165" BRONZE	1		001046	004203	004203		
	IMPELLER "165" CAST IRON			N/A	N/A	157829		
29	HOUSING, PUMP-MACH	1		001044	004214	004214		
30	STRAINER PLATE	1		137008	137008	137008		
31	• SCREW, .25-20 X .75 HHM-SS	4		001916	001916	001916		
32	• SCREW, .313-18 X 1" HH CAP-SS	4		002608	002608	002608		
33	• SCREW, #10-24 X.375 RHM-SL SS	2		001883	001883	001883		
34	• SCREW, #6-32X.438 RH/PH TYPE 23	2		004644	004644	004644		
35	• SEM, 10-24X.375HH-SL TC.688 WASH	2		002000	002000	002000		
36	• WASHER, SS-1.25"ODX.562"IDX.078	2		N/A	002115	002115		
37	• SCREW, .5-13 X 2 HH CAP-SS	2		N/A	001909	001909		
38	• SCREW, #6-32X.25RHM SL TC STLGR	2		001877	001877	001877		
39	• SCREW, .25-20X1" HHM-SS	4		007790	007790	007790		
□	REBUILD KIT	1		016103	016103	016103		

• Items included in Rebuild Kit.

□ Not shown in illustration.

NOTES:

- 1) Mtr. Hsg., Brg., Stator & Term. (Item 17) is preassembled at the factory and must be replaced as a unit. Stator is permanently attached to the Motor Housing. Plug (Item 19); Seal, Thru Wall Term. (Item 20) and Bearing - Upper (Item 18) are replaceable.
- 2) When ordering these parts, customer must identify if switch is a General Electric switch.
- 3) If an "X" follows Model No., or Date Mfg. on ID tag, consult factory for ordering of this part.
- 4) See FM0160 Parts Price Sheet for listing of parts prices.
- 5) "N/A" indicates, not applicable.
- 6) When ordering specify either GE or Emerson Motor.

DATE CODE OF MANUFACTURE FROM 12/70 to 12/88

1st LETTER MONTH		2nd LETTER YEAR			
M --- JAN.	T --- JULY	A --- 1971	G --- 1977	O --- 1983	
N --- FEB.	U --- AUG.	B --- 1972	H --- 1978	P --- 1984	
O --- MARCH	V --- SEPT.	C --- 1973	I --- 1979	R --- 1985	
P --- APRIL	W --- OCT.	D --- 1974	J --- 1980	S --- 1986	
R --- MAY	X --- NOV.	E --- 1975	M --- 1981	T --- 1987	
S --- JUNE	Y --- DEC.	F --- 1976	N --- 1982	U --- 1988	

NOTE: Four digit (MMYY) date of mfg. used after June, 1988.

IE: MMYY = 0192 = Jan. 1992

REPLACEMENT PARTS LIST FOR MODELS "I165"

See page 7 for "I165" illustration.

REF. NO.	DESCRIPTION	QTY	NOTES	MODELS: I165-B	
				9/85 VR thru 8/86 US	I165-C
1	• HANDLE	1		217069	217069
2	COVER & CORD	1	2	013883	013883
3	CORD, TERM, & SEAL	1	2	005385	005385
4	CLAMP, STRAIN RELIEF	1	2	001770	001770
5	SEAL, CORD-ASM & STR RLF	1	2	094032	094032
6	COVER-MACH	1	2,3	001077	001077
7	• GASKET, CASE/COVER	1		001011	001011
8	• WIRE PKG	1		001070	004756
9	CAPACITOR & CLAMP ASM	1		002381	002381
10	HOUSING, MTR-& STR	1	1,5	005529	005529
11	BEARING, SLEEVE	1		001012	001012
12	• PLUG, TEST-WHITE	2		034090	034090
13	SEAL, THRU WALL TERM	3		003402	003402
14	ROTOR & BRG	1	5	001074	001074
15	BEARING, RADIAL	1		001013	001013
16	• SEAL, MTR HSG	1		001014	001014
17	• OIL, DIELECTRIC	1		003168	003168
18	ADAPTER-MACH	1		001003	001003
19	• SEAL, SHAFT	1		002430	002430
20	FLANGE PKG 2" NPT	1		10-1305	10-1305
	FLANGE PKG 3" NPT	1		10-1306	10-1306
21	IMPELLER "165" BRONZE	1		004203	004203
	IMPELLER "165" CAST IRON			N/A	157829
22	HOUSING, PUMP-MACH	1		004214	004214
23	STRAINER PLATE	1		137008	137008
24	• SCREW, .25-20 X .75 HHM-SS	4		001916	001916
25	• SCREW, .313-18 X 1" HH CAP-SS	4		002608	002608
26	• SCREW, #10-24 X.375 RHM-SL SS	1		001883	001883
27	• SEM, 10-24X.375HH-SL TC.688 WASH	2		002000	002000
28	• SCREW, .5-13 X 2 HH CAP-SS	2		001909	001909
29	• WASHER, SS-1.25"ODX.562"IDX.078	2		002115	002115
30	• SCREW, #6-32X.25RHM SL TC STLGR	4		001877	001877
31	• SCREW, .25-20X1" HHM-SS	4		007790	007790
□	REBUILD KIT	1		014193	014193

• Items included in Rebuild Kit.

□ Not shown in illustration.

NOTES:

- 1) Mtr. Hsg., Brg., Stator & Term. (Item 10) is preassembled at the factory and must be replaced as a unit. Stator is permanently attached to the Motor Housing. Plug (Item 12); Seal, Thru Wall Term. (Item 13) and Bearing - Upper (Item 15) are replaceable.
- 2) If an "X" follows Model No., or Date Mfg. on ID tag, consult factory for ordering of this part.
- 3) See FM0160 Parts Price Sheet for listing of parts prices.
- 4) "N/A" indicates, not applicable.
- 5) When ordering specify either GE or Emerson Motor.

REPLACEMENT PARTS LIST FOR MODELS "J165"

See back page for "J165" illustration.

REF. NO.	DESCRIPTION	QTY	NOTES	MODELS: J165-A		
				3/82 ON thru 1/85 MR	J165-B	J165-C
1	• HANDLE	1		217069	217069	217069
2	COVER & CORD	1	2	002963	002963	002963
3	COVER-MACH	1	2	001077	001077	001077
4	• GASKET, CASE/COVER	1		001011	001011	001011
5	HOUSING, MTR-& STR	1	1,5	004443	004443	004443
6	BEARING, SLEEVE	1		001012	001012	001012
7	CLAMP, STRAIN RELIEF	1	2	001770	001770	001770
8	CORD, TERM & SEAL	1	2	005131	005131	005131
9	• SEAL, CORD-ASM & STR RLF	1	2	011656	011656	011656
10	• PLUG, TEST-WHITE	2		034090	034090	034090
11	• SEAL, THRU WALL TERM	3		003402	003402	003402
12	ROTOR & BRG	1	5	004870	004870	004870
13	• BEARING, RADIAL	1		001013	001013	001013
14	• SEAL, MTR HSG	1		001014	001014	001014
15	• OIL, DIELECTRIC	1		003168	003168	003168
16	ADAPTER-MACH	1		001003	001003	001003
17	• SEAL, SHAFT	1		002430	002430	002430
18	IMPELLER ASM "165" BRONZE	1		Contact Factory	005223	005223
	IMPELLER ASM "165" CAST IRON		N/A	N/A	157830	
19	FLANGE PKG 2" NPT	1		N/A	10-1305	10-1305
	FLANGE PKG 3" NPT	1		N/A	10-1306	10-1306
20	HOUSING, PUMP-MACH	1		001044	004214	004214
21	• SCREW, #6-32X.25RHM SL TC STLGR	1		001877	001877	001877
22	• SCREW, .25-20 X .75 HHM-SS	4		001916	001916	001916
23	• SCREW, .313-18 X 1"HH CAP-SS	4		002608	002608	002608
24	• SCREW, .5-13 X 2 HH CAP-SS	2		N/A	001909	001909
25	• WASHER, SS-1.25"ODX.562"IDX.078	2		N/A	002115	002115
26	• SCREW, #10-24 X.375 RHM-SL SS	1		001883	001883	001883
27	STRAINER PLATE	1		137008	137008	137008
28	• SEM,10-24X.375HH-SL TC.688 WASH	2		002000	002000	002000
29	• SCREW, .25-20 X 1 HHM-SS	4		007790	007790	007790
30	• NUT, 7/16-20 ACORN SS	1		004351	004351	004351
□	REBUILD KIT	1		014193	014193	014193

• Items included in Rebuild Kit.

□ Not shown in illustration.

NOTES:

- 1) Mtr. Hsg., Brg., Stator & Term. (Item 5) is preassembled at the factory and must be replaced as a unit. Stator is permanently attached to the Motor Housing. Plug (Item 10); Seal, Thru Wall Term. (Item 11) and Bearing - Upper (Item 6) are replaceable.
- 2) If an "X" follows Model No., or Date Mfg. on ID tag, consult factory for ordering of this part.
- 3) See FM0160 Parts Price Sheet for listing of parts prices.
- 4) "N/A" indicates, not applicable.
- 5) When ordering specify either GE or Emerson Motor.

REPLACEMENT PARTS LIST FOR MODELS "F165"

See back page for "F165" illustration.

REF. NO.	DESCRIPTION	QTY	NOTES	MODELS: F165-A		
				3/83 00 thru 1/85 MR	F165-B	F165-C
1	• HANDLE	1		217069	217069	217069
2	COVER & CORD	1	2	002963	002963	002963
3	COVER-MACH	1	2	001077	001077	001077
4	• GASKET, CASE/COVER	1		001011	001011	001011
5	HOUSING, MTR-& STR	1	1,5	005472	005472	005472
6	BEARING, SLEEVE	1		001012	001012	001012
7	CLAMP, STRAIN RELIEF	1	2	001770	001770	001770
8	CORD, TERM & SEAL	1	2	005131	005131	005131
9	• SEAL, CORD-ASM & STR RLF	1	2	011656	011656	011656
10	• PLUG, TEST-WHITE	2		034090	034090	034090
11	• SEAL, THRU WALL TERM	3		003402	003402	003402
12	ROTOR & BRG	1	5	004870	004870	004870
13	• BEARING, RADIAL	1		001013	001013	001013
14	• SEAL, MTR HSG	1		001014	001014	001014
15	• OIL, DIELECTRIC	1		003168	003168	003168
16	ADAPTER-MACH	1		001003	001003	001003
17	• SEAL, SHAFT	1		002430	002430	002430
18	IMPELLER ASM "165" BRONZE	1		Contact Factory	005223	005223
	IMPELLER ASM "165" CAST IRON		N/A	N/A	157830	
19	FLANGE PKG 2" NPT	1		N/A	10-1305	10-1305
	FLANGE PKG 3" NPT	1		N/A	10-1306	10-1306
20	HOUSING, PUMP-MACH	1		001044	004214	004214
21	• SCREW, #6-32X.25RHM SL TC STLGR	1		001877	001877	001877
22	• SCREW, .25-20 X .75 HHM-SS	4		001916	001916	001916
23	• SCREW, .313-18 X 1" HH CAP-SS	4		002608	002608	002608
24	• SCREW, .5-13 X 2 HH CAP-SS	2		N/A	001909	001909
25	• WASHER, SS-1.25" ODX.562" IDX.078	2		N/A	002115	002115
26	• SCREW, #10-24 X.375 RHM-SL SS	1		001883	001883	001883
27	STRAINER PLATE	1		137008	137008	137008
28	• SEM, 10-24X.375HH-SL TC.688 WASH	2		002000	002000	002000
29	• SCREW, .25-20 X 1 HHM-SS	4		007790	007790	007790
30	• NUT, 7/16-20 ACORN SS	1		004351	004351	004351
□	REBUILD KIT			014193	014193	014193

• Items included in Rebuild Kit.

□ Not shown in illustration.

NOTES:

- 1) Mtr. Hsg., Brg., Stator & Term. (Item 5) is preassembled at the factory and must be replaced as a unit. Stator is permanently attached to the Motor Housing. Plug (Item 10); Seal, Thru Wall Term. (Item 11) and Bearing - Upper (Item 6) are replaceable.
- 2) If an "X" follows Model No., or Date Mfg. on ID tag, consult factory for ordering of this part.
- 3) See FM0160 Parts Price Sheet for listing of parts prices.
- 4) "N/A" indicates, not applicable.
- 5) When ordering specify either GE or Emerson Motor.

REPLACEMENT PARTS LIST FOR MODELS "G165" & "BA165"

See back page for "G165 & BA165" illustration.

REF. NO.	DESCRIPTION	QTY	NOTES	MODELS: G165-A			G165-B	G165-C	BA165-A
				2/82 NN thru 1/85 MR	2/85 NR thru 8/86 US	9/86 VS thru Current		1/91 thru Current	
1	• HANDLE	1		217069	217069	217069		217069	
2	COVER & CORD	1	2	002963	002963	002963		002963	
3	COVER-MACH	1	2	001077	001077	001077		001077	
4	• GASKET, CASE/COVER	1		001011	001011	001011		001011	
5	HOUSING, MTR-& STR	1	1,5	003770	003770	003770		006287	
6	BEARING, SLEEVE	1		001012	001012	001012		001012	
7	CLAMP, STRAIN RELIEF	1	2	001770	001770	001770		001770	
8	CORD, TERM & SEAL	1	2	005131	005131	005131		005131	
9	• SEAL, CORD-ASM & STR RLF	1	2	011656	011656	011656		011656	
10	• PLUG, TEST-WHITE	2		034090	034090	034090		034090	
11	• SEAL, THRU WALL TERM	3		003402	003402	003402		003402	
12	ROTOR & BRG	1	5	004870	004870	004870		004870	
13	• BEARING, RADIAL	1		001013	001013	001013		001013	
14	• SEAL, MTR HSG	1		001014	001014	001014		001014	
15	• OIL, DIELECTRIC	1		003168	003168	003168		003168	
16	ADAPTER-MACH	1		001003	001003	001003		001003	
17	• SEAL, SHAFT	1		002430	002430	002430		002430	
18	IMPELLER ASM "165" BRONZE	1		Contact Factory	005223	005223		005223	
	IMPELLER ASM "165" CAST IRON		N/A	N/A	157830		157830		
19	FLANGE PKG 2" NPT	1		N/A	10-1305	10-1305		10-1305	
	FLANGE PKG 3" NPT	1		N/A	10-1306	10-1306		10-1306	
20	HOUSING, PUMP-MACH	1		001044	004214	004214		004214	
21	• SCREW, #6-32X.25RHM SL TC STLGR	1		001877	001877	001877		001877	
22	• SCREW, .25-20 X .75 HHM-SS	4		001916	001916	001916		001916	
23	• SCREW, .313-18 X 1" HH CAP-SS	4		002608	002608	002608		002608	
24	• SCREW, .5-13 X 2 HH CAP-SS	2		N/A	001909	001909		001909	
25	• WASHER, SS-1.25" ODX.562" IDX.078	2		N/A	002115	002115		002115	
26	• SCREW, #10-24 X.375 RHM-SL SS	1		001883	001883	001883		001883	
27	STRAINER PLATE	1		137008	137008	137008		137008	
28	• SEM,10-24X.375HH-SL TC.688 WASH	2		002000	002000	002000		002000	
29	• SCREW, .25-20 X 1 HHM-SS	4		007790	007790	007790		007790	
30	• NUT, 7/16-20 ACORN SS	1		004351	004351	004351		004351	
□	REBUILD KIT	1		014193	014193	014193		014193	

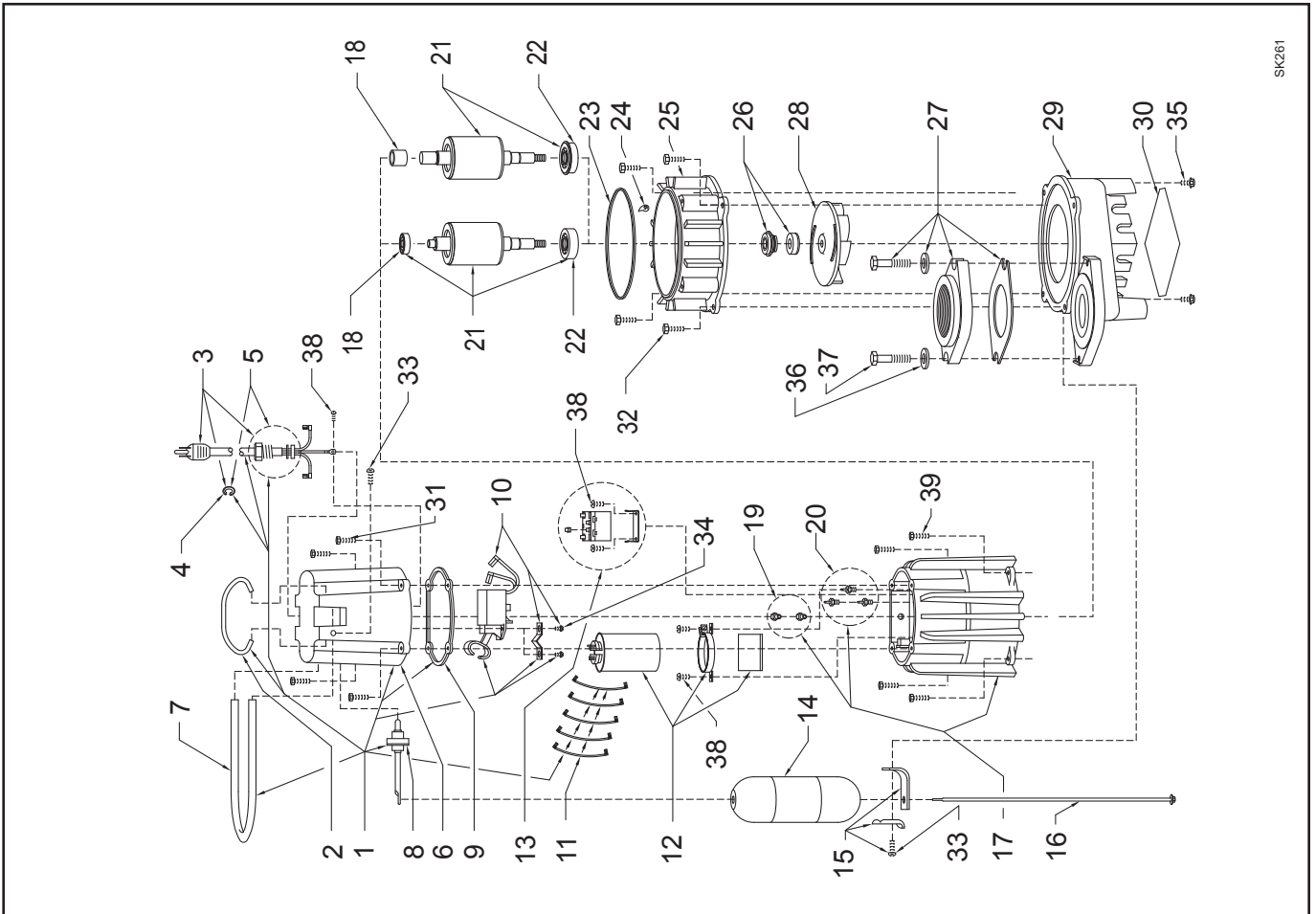
• Items included in Rebuild Kit.

□ Not shown in illustration.

NOTES:

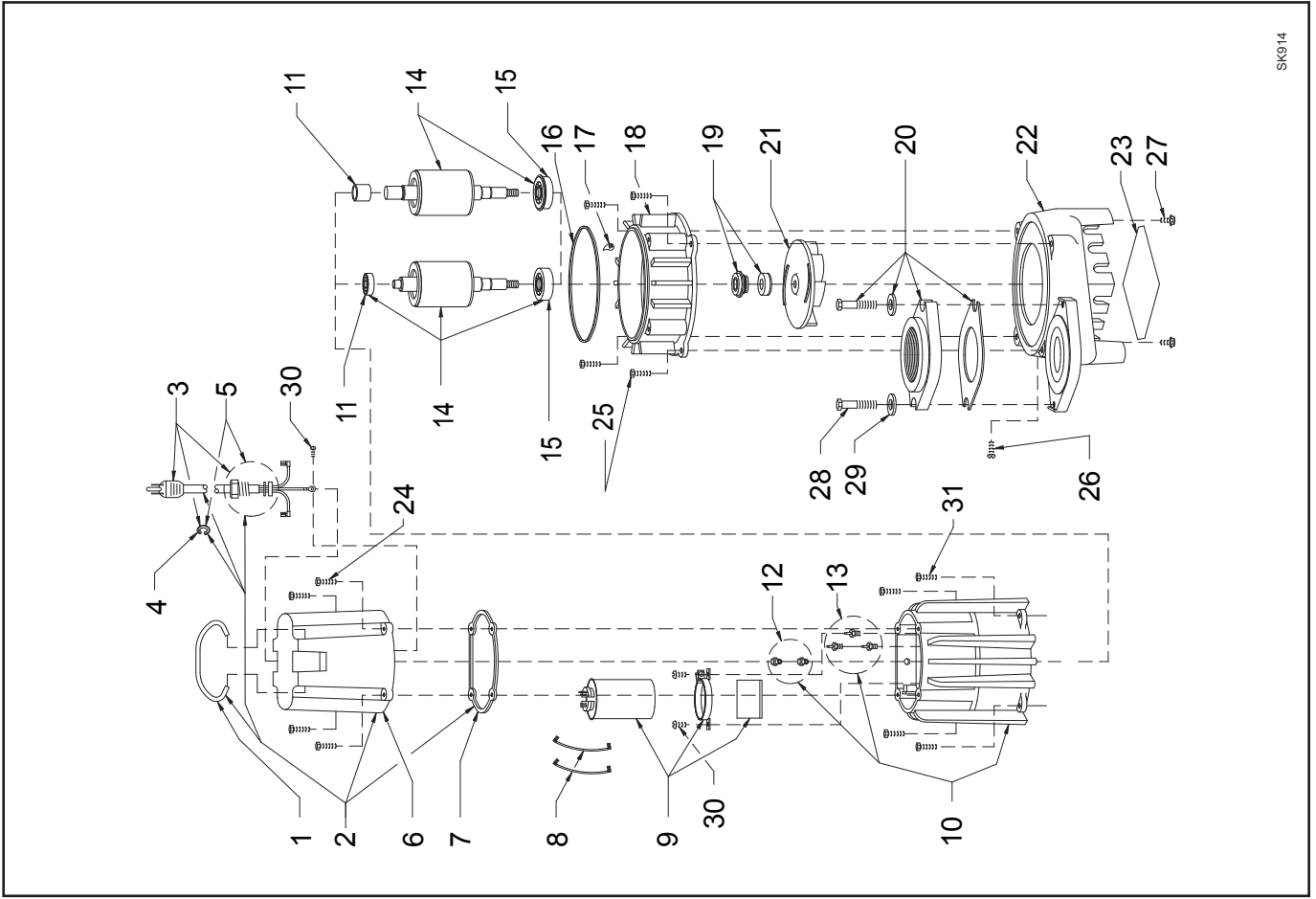
- 1) Mtr. Hsg., Brg., Stator & Term. (Item 5) is preassembled at the factory and must be replaced as a unit. Stator is permanently attached to the Motor Housing. Plug (Item 10); Seal, Thru Wall Term. (Item 11) and Bearing - Upper (Item 6) are replaceable.
- 2) If an "X" follows Model No., or Date Mfg. on ID tag, consult factory for ordering of this part.
- 3) See FM0160 Parts Price Sheet for listing of parts prices.
- 4) "N/A" indicates, not applicable.
- 5) When ordering specify either GE or Emerson Motor.

REPLACEMENT PARTS ILLUSTRATION FOR MODEL "H165"



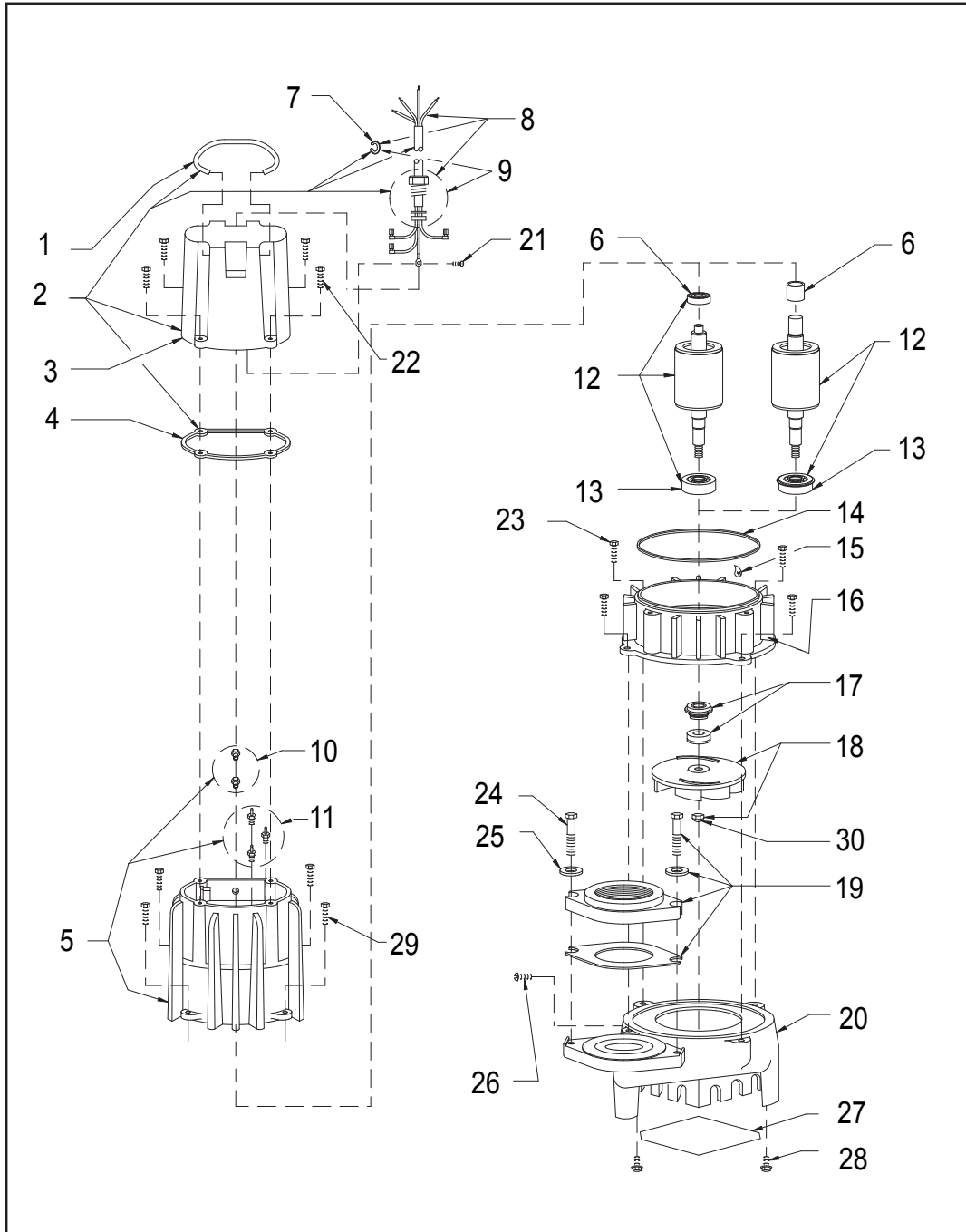
SK261

REPLACEMENT PARTS ILLUSTRATION FOR MODEL "I165"



SK914

REPLACEMENT PARTS ILLUSTRATION FOR MODELS "J" "F" & "G165"



SK1286



MAIL TO: P.O. BOX 16347 • Louisville, KY 40256-0347
SHIP TO: 3649 Cane Run Road • Louisville, KY 40211-1961
(502) 778-2731 • 1 (800) 928-PUMP • FAX (502) 774-3624

Trusted. Tested. Tough.®

Visit our website:
zoellerpumps.com