

Trusted. Tested. Tough.®

Product information presented here reflects conditions at time of publication. Consult factory regarding discrepancies or inconsistencies.



SECTION: 2.25.030

FM2370

0422

Supersedes

0821

MAIL TO: P.O. BOX 16347 • Louisville, KY 40256-0347
SHIP TO: 3649 Cane Run Road • Louisville, KY 40211-1961
TEL: (502) 778-2731 • 1 (800) 928-PUMP • FAX: (502) 774-3624

Visit our website:
zoellerpumps.com

922 PREPACKAGED SYSTEM MODEL 810/815



Progressing Cavity Pumps

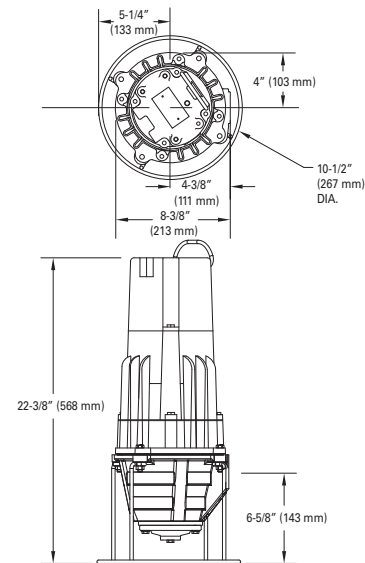
- 810 – 1HP, 230 Volt/1 Phase, 7.0 FLA
815 – 2 HP, 230 Volt/1 Phase, 10.5 FLA
- 20' Power cord
- Corrosion resistant powder coated epoxy finish
- Discharge size - 1-1/4" NPT
- Oil-filled - hermetically sealed motor
- Hardened 440c stainless steel cutter and disc
- Stainless steel hydraulic pump rotor with deflector plate
- Pressure relief valve

Control Panel

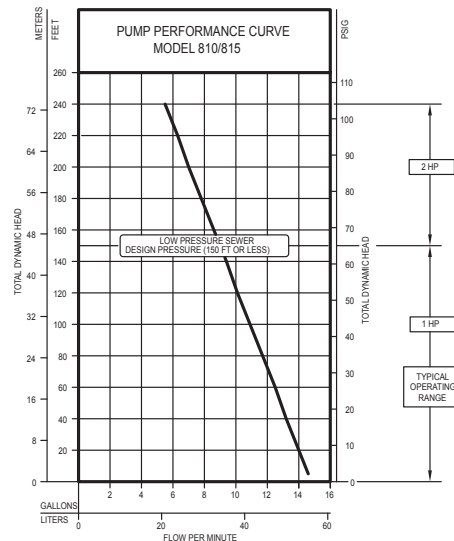
- NEMA 4X watertight enclosure with lockable hatch
- 5 year limited warranty
- RED/AMBER/GREEN LEDs for float switch indicators, Pump Run, High Water, System Ready, and HOA functions
- Ample room for field wiring
- TEST toggle will check all LEDs, globe, and horn
- Elapsed time and cycle counts via USB port
- Adjustable settings (see Installation Instructions)

Float Switch

- (3) 20' Clamp mounted mechanical float switches



SK2533



018330

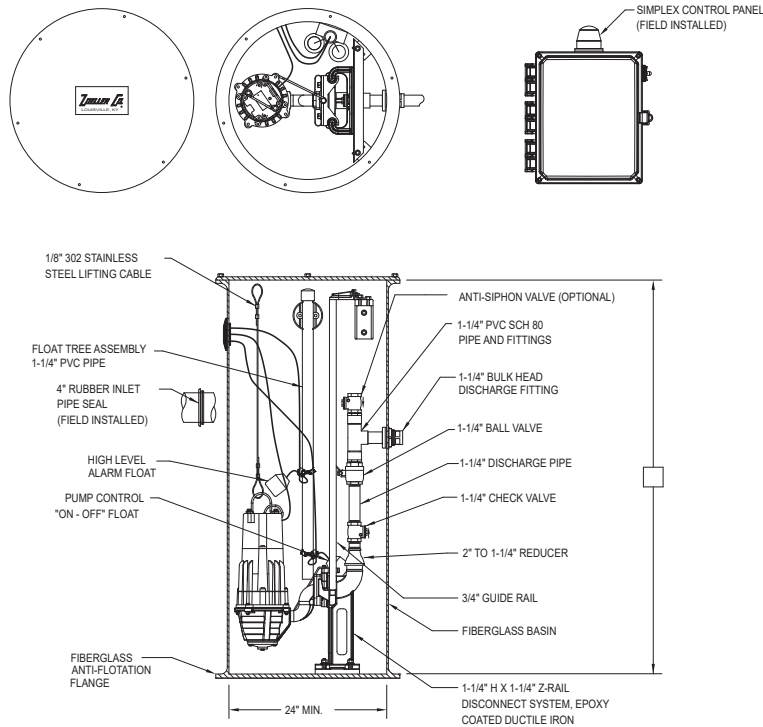
Fiberglass Basin Assembly

- 24" Diameter fiberglass basin assembly
- Solid fiberglass cover
- Anti-flotation device
- 1-1/4" Sch 80 PVC discharge piping
- Float Tree
- 1-1/4" Ball and check valve installed
- Anti-siphon valve
- 4" Inlet pipe seal loose for field install
- Stainless steel lifting cable

Polyethylene Basin Assembly

- 30" Diameter polyethylene basin assembly
- Solid fiberglass cover
- Anti-flotation device
- 1-1/4" Sch 80 PVC discharge piping
- Float Tree
- 1-1/4" Ball and check valve installed
- Anti-siphon valve
- 4" Inlet pipe seal loose for field install
- Nylon lifting rope

922 PREPACKAGED SYSTEM MODEL 810/815 FIBERGLASS BASIN ASSEMBLY



SK3091

ITEM NO.	PUMP	DESCRIPTION	VOLTAGE	WEIGHT
922-0075	E810	24" x 48" Progressing Cavity Package System, Discharge @ 24"	230V-1 Ph	311 lbs.
922-0076	E810	24" x 60" Progressing Cavity Package System, Discharge @ 24"	230V-1 Ph	321 lbs.
922-0077	E810	24" x 72" Progressing Cavity Package System, Discharge @ 24"	230V-1 Ph	330 lbs.
922-0078	E815	24" x 48" Progressing Cavity Package System, Discharge @ 24"	230V-1 Ph	311 lbs.
922-0079	E815	24" x 60" Progressing Cavity Package System, Discharge @ 24"	230V-1 Ph	321 lbs.
922-0080	E815	24" x 72" Progressing Cavity Package System, Discharge @ 24"	230V-1 Ph	330 lbs.

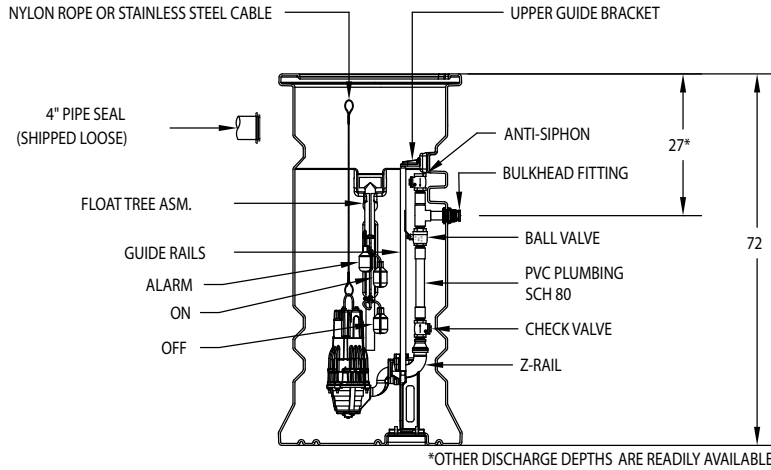
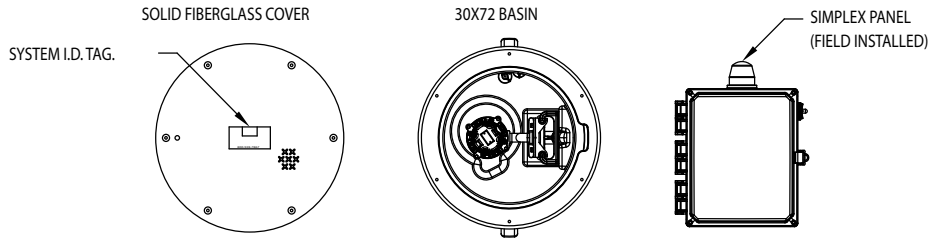
922-0075			922-0076		
1	810-0004	E810, 230 Volt, 1 Phase, 20'	1	810-0004	E810, 230 Volt, 1 Phase, 20'
1	31324-0001	Simplex Panel	1	31324-0001	Simplex Panel
3	10-0744	20' Float Switch	3	10-0744	20' Float Switch
1	10-1456	Float Tree	1	10-1456	Float Tree
1	33-2000	24" X 48" Basin Assembly	1	33-2003	24" X 60" Basin Assembly

922-0077			922-0078		
1	810-0004	E810, 230 Volt, 1 Phase, 20' Cord	1	815-0004	E815, 230 Volt, 1 Phase, 20' Cord
1	31324-0001	Simplex Panel	1	31324-0001	Simplex Panel
3	10-0744	20' Float Switch	3	10-0744	20' Float Switch
1	10-1456	Float Tree	1	10-1456	Float Tree
1	33-2199	24" X 72" Basin Assembly	1	33-2000	24" X 48" Basin Assembly

922-0079			922-0080		
1	815-0004	E815, 230 Volt, 1 Phase, 20' Cord	1	815-0004	E815, 230 Volt, 1 Phase, 20' Cord
1	31324-0001	Simplex Panel	1	31324-0001	Simplex Panel
3	10-0744	20' Float Switch	3	10-0744	20' Float Switch
1	10-1456	Float Tree	1	10-1456	Float Tree
1	33-2003	24" X 60" Basin Assembly	1	33-2199	24" X 72" Basin Assembly

922 PREPACKAGED SYSTEM MODEL 810/815

Polyethylene Basin Assembly



SK3265

ITEM NO.	PUMP	DESCRIPTION	VOLTAGE	WEIGHT
922-0083	E810	30" x 72" Progressing Cavity Package System, Discharge @ 27"	230V - 1 Ph	350 lbs.
922-0085	E810	30" x 72" Progressing Cavity Package System, Discharge @ 38" for Cold Climate	230V - 1 Ph	350 lbs.
922-0084	E815	30" x 72" Progressing Cavity Package System, Discharge @ 27"	230V - 1 Ph	350 lbs.

Polyethylene Basin Assemblies Breakdown

922-0083			922-0085		
1	810-0004	E810, 230 Volt, 1 Phase, 20' Cord	1	810-0004	E810, 230 Volt, 1 Phase, 20' Cord
1	31324-0001	Simplex Panel	1	31324-0001	Simplex Panel
3	10-0744	20' Float Switch	3	10-0744	20' Float Switch
1	10-1456	Float Tree	1	10-1456	Float Tree
1	33-3643	30" X 72" Basin Assembly	1	33-3643	30" X 72" Basin Assembly

922-0084		
1	815-0004	E815, 230 Volt, 1 Phase, 20' Cord
1	31324-0001	Simplex Panel
3	10-0744	20' Float Switch
1	10-1456	Float Tree
1	33-3643	30" X 72" Basin Assembly



MAIL TO: P.O. BOX 16347 • Louisville, KY 40256-0347
SHIP TO: 3649 Cane Run Road • Louisville, KY 40211-1961
(502) 778-2731 • 1 (800) 928-PUMP • FAX (502) 774-3624

Visit our website:
zoellerpumps.com

Trusted. Tested. Tough.®