

Product information presented here reflects conditions at time of publication. Consult factory regarding discrepancies or inconsistencies.



MAIL TO: P.O. BOX 16347 • Louisville, KY 40256-0347
 SHIP TO: 3649 Cane Run Road • Louisville, KY 40211-1961
 TEL: (502) 778-2731 • 1 (800) 928-PUMP • FAX: (502) 774-3624

Visit our website:
 zoellerpumps.com

REPLACEMENT PARTS LIST FOR MODELS:

PERMANENT SPLIT CAPACITOR MOTOR DESIGN FOR SPLIT PHASE MOTOR DESIGN (SEE PAGE 7)

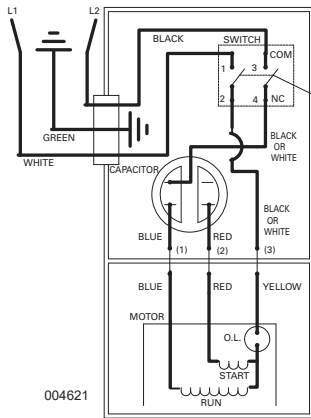
M266 AUTOMATIC 115V
 N266 NONAUTOMATIC 115V
 WM266 AUTOMATIC with wired VLFS 115V
 D266 AUTOMATIC 230V
 E266 NONAUTOMATIC 230V

H266 AUTOMATIC 200V 1PH
 I266 NONAUTOMATIC 200V 1PH
 J266 NONAUTOMATIC 200V 3PH
 F266 NONAUTOMATIC 230V 3PH
 G266 NONAUTOMATIC 460V 3PH

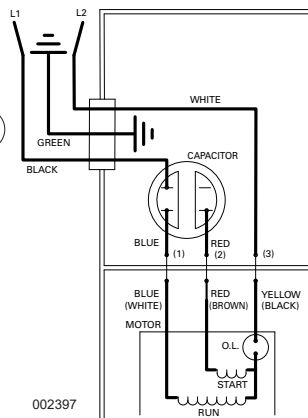
Consult factory for all other models.

TO ORDER REPLACEMENT PARTS:
PLEASE FURNISH THE FOLLOWING INFORMATION:

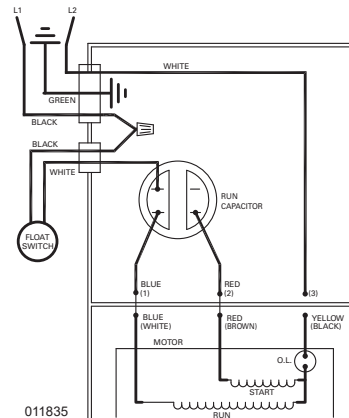
- Model number
- Part number of pump
 (If manufactured prior to June 1988, give 2 letter date code following Model No.)
- Part number and description of part



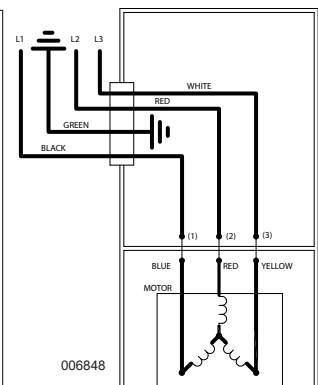
WIRING DIAGRAM FOR MODELS
 "M266", "D266", "H266"



WIRING DIAGRAM FOR MODELS
 "E266", "I266"



WIRING DIAGRAM FOR MODELS
 "WM266"



WIRING DIAGRAM FOR MODELS
 "J266", "F266", "G266"

REPLACEMENT PARTS LIST FOR MODELS "M266", "N266" & "WM266"

See page 6 for illustration.

REF. NO.	DESCRIPTION	QTY	NOTES	MODELS:		M266-C	M266-D	N266-C	N266-D	WM266-D	WM266-E
				05/18 thru 05/20	06/20 CURRENT	05/18 thru 05/20	06/20 CURRENT	05/18 thru 05/20	06/20 CURRENT		
1	CASE ASSEMBLY - AUTOMATIC	1	3	004739	004739	N/A	N/A	N/A	N/A	N/A	N/A
	COVER ASSEMBLY - NON-AUTO & WIRED IN FLOAT SWITCH		3	N/A	N/A	267051	267051	267051	267051	267051	267051
2	• HANDLE	1		267032	267032	267032	267032	267032	267032	267032	267032
3	CASE MACH. & GASKET - AUTOMATIC	1	3	155781	155781	N/A	N/A	N/A	N/A	N/A	N/A
	COVER MACH. & GASKET - NON-AUTO & WIRED IN FLOAT SWITCH			N/A	N/A	267052	267052	267052	267052	267052	267052
4	• RETAINER - NON-AUTOMATIC	2	3	N/A	N/A	267053	267053	267053	267053	267053	267053
5	• GUARD - AUTOMATIC	1	3	267008	267008	N/A	N/A	N/A	N/A	N/A	N/A
6	• GASKET - CASE/COVER	1		267007	267007	267007	267007	267007	267007	267007	267007
7	• ARM AND SEAL ASSEMBLY	1	3	004741	004741	N/A	N/A	N/A	N/A	N/A	N/A
8	SWITCH ASSEMBLY	1	3	004740	004740	N/A	N/A	N/A	N/A	N/A	N/A
9	CAPACITOR ASSEMBLY	1		155782	156952	155782	156952	155782	156952	155782	156952
10	• WIRE PACKAGE	1		155783	155783	155783	155783	155783	155783	155783	155783
11	• CORD SEAL AND STRAIN RELIEF ASSEMBLY	1	4	155784	155784	155784	155784	153878	155784	153878	155784
12	CORD ASSEMBLY - STANDARD	1	3,5	010925	010925	155785	155785	N/A	155785	N/A	N/A
	CORD ASSEMBLY - WM STYLE			N/A	N/A	N/A	N/A	153878	155785	153878	155785
13	MOTOR HOUSING ASSEMBLY	1		155786	156489	155786	156489	155786	156489	155786	156489
14	STATOR WITH SCREWS	1		155787	156490	155787	156490	155787	156490	155787	156490
15	• THRU WALL TERMINALS	3		003402	003402	003402	003402	003402	003402	003402	003402
16	• TEST PLUGS	2		034090	034090	034090	034090	034090	034090	034090	034090
17	ROTOR ASSEMBLY	1		155788	156955	155788	156955	155788	156955	155788	156955
18	• THRUST WASHER	1		002140	002140	002140	002140	002140	002140	002140	002140
19	• DIELECTRIC OIL	1		267056	267056	267056	267056	267056	267056	267056	267056
20	• MOTOR HOUSING SEAL	1		267006	267006	267006	267006	267006	267006	267006	267006
21	PUMP HOUSING - MACH.	1		003877	003877	003877	003877	003877	003877	003877	003877
22	• SHAFT SEAL ASSEMBLY	1		267027	267027	267027	267027	267027	267027	267027	267027
23	IMPELLER - PLASTIC	1		150857	150857	150857	150857	150857	150857	150857	150857
	IMPELLER - CAST IRON			003884	003884	003884	003884	003884	003884	003884	003884
24	O-RING SEAL	1		005701	005701	005701	005701	005701	005701	005701	005701
25	BASE - PLASTIC	1		005199	005199	005199	005199	005199	005199	005199	005199
26	FLOAT	1	3	034019	034019	N/A	N/A	N/A	N/A	N/A	N/A
27	FLOAT ROD	1	3	001526	001526	N/A	N/A	N/A	N/A	N/A	N/A
28	FLOAT ROD GUIDE ASSEMBLY	1	3	004676	004676	N/A	N/A	N/A	N/A	N/A	N/A
29	VERTICAL FLOAT SWITCH ASSEMBLY	1	3	N/A	N/A	N/A	N/A	N/A	009630	N/A	009630
30	VERTICAL SWITCH CORD SEAL	1	3	N/A	N/A	N/A	N/A	N/A	004486	N/A	004486
31	WIRENUT	1	3	N/A	N/A	N/A	N/A	N/A	001776	N/A	001776
32	VERTICAL FLOAT SWITCH AND CORD SEAL	1	3	N/A	N/A	N/A	N/A	N/A	009631	N/A	009631
33	VERTICAL FLOAT ROD PIN	1	3	N/A	N/A	N/A	N/A	N/A	009121	N/A	009121
34	VERTICAL FLOAT ROD	1	3	N/A	N/A	N/A	N/A	N/A	009118	N/A	009118
35	VERTICAL FLOAT ROD STOP	2	3	N/A	N/A	N/A	N/A	N/A	009120	N/A	009120
36	VERTICAL FLOAT	1	3	N/A	N/A	N/A	N/A	N/A	009119	N/A	009119
37	VERTICAL FLOAT SWITCH BRACKET	1	3	N/A	N/A	N/A	N/A	N/A	009117	N/A	009117
38	VERTICAL FLOAT SWITCH GROMMET FOR BRACKET	1	3	N/A	N/A	N/A	N/A	N/A	003052	N/A	003052
39	SCREW-VERTICAL SWITCH (#8-32 X 5/8" LONG)	2	3	N/A	N/A	N/A	N/A	N/A	009111	N/A	009111
40	WORM GEAR CLAMP	1	3	N/A	N/A	N/A	N/A	N/A	004304	N/A	004304
41	• SCREW - CASE (1/4-20 X 3/4" LONG)	4		001916	001916	001916	001916	001916	001916	001916	001916
42	• SCREW - SWITCH (#6-32 X 7/16" LONG)	2	3	004644	004644	N/A	N/A	N/A	N/A	N/A	N/A
43	• SCREW - GROUND & CAPACITOR (#6-32 X 1/4" LONG)	1		001877	001877	001877	001877	001877	001877	001877	001877
44	• SCREW - MOTOR HOUSING (1/4-20 X 7/8" LONG)	4		012491	012491	012491	012491	012491	012491	012491	012491
45	• SCREW - STATOR (#8-32 X 3 1/16" LONG)	2		154768	154768	154768	154768	154768	154768	154768	154768
46	• SCREW - BASE (#10-10 X 1" LONG)	10		005326	005326	005326	005326	005326	005326	005326	005326
47	• SCREW - GUARD & RETAINERS/GUIDE (#10-24 X 3/8" LONG)	2		001883	001883	001883	001883	N/A	001883	N/A	N/A
48	NUT,5/16-24UNF SS ACORN/LOW CROWN	1	3	N/A	N/A	N/A	N/A	N/A	N/A	N/A	N/A
o	REBUILD KIT	1		155789	155789	155789	155789	155789	155789	155789	155789

• Items included in Rebuild Kit.

o Not shown on illustration.

Notes:

- 1) If an "X" follows model no., or date mfg. on brass ID tag, consult factory for ordering any parts.
- 2) See FM0160 Parts Price Sheet for listing of part prices.
- 3) "NA" indicates, not applicable.
- 4) Strain relief clamp is not sold separately, must order cord seal assembly.
- 5) Cut plug off if required.

REPLACEMENT PARTS LIST FOR MODELS "D266" & "E266"

See page 6 for illustration.

REF. NO.	DESCRIPTION	QTY	NOTES	MODELS:			
				D266-C	D266-D	E266-C	E266-D
				01/19 thru 05/20	06/20 thru CURRENT	01/19 thru 05/20	06/20 thru CURRENT
1	CASE ASSEMBLY - AUTOMATIC	1	3	004739	004739	N/A	N/A
	COVER ASSEMBLY - NON-AUTO & WIRED IN FLOAT SWITCH		3	N/A	N/A	267051	267051
2	• HANDLE	1		267032	267032	267032	267032
3	CASE MACH. & GASKET - AUTOMATIC	1	3	155781	155781	N/A	N/A
	COVER MACH. & GASKET - NON-AUTO & WIRED IN FLOAT SWITCH			N/A	N/A	267052	267052
4	• RETAINER - NON-AUTOMATIC	2	3	N/A	N/A	267053	267053
5	• GUARD - AUTOMATIC	1	3	267008	267008	N/A	N/A
6	• GASKET - CASE/COVER	1		267007	267007	267007	267007
7	• ARM AND SEAL ASSEMBLY	1	3	004741	004741	N/A	N/A
8	SWITCH ASSEMBLY	1	3	004740	004740	N/A	N/A
9	CAPACITOR ASSEMBLY	1		155782	156952	155782	156952
10	• WIRE PACKAGE	1		155783	155783	155783	155783
11	• CORD SEAL AND STRAIN RELIEF ASSEMBLY	1	4	155784	155784	155784	155784
12	CORD ASSEMBLY - STANDARD	1	5	010926	010926	155962	155962
13	MOTOR HOUSING ASSEMBLY	1		155786	156489	155786	156489
14	STATOR WITH SCREWS	1		155787	156491	155787	156491
15	• THRU WALL TERMINALS	3		003402	003402	003402	003402
16	• TEST PLUGS	2		034090	034090	034090	034090
17	ROTOR ASSEMBLY	1		155788	156955	155788	156955
18	• THRUST WASHER	1		002140	002140	002140	002140
19	• DIELECTRIC OIL	1		267056	267056	267056	267056
20	• MOTOR HOUSING SEAL	1		267006	267006	267006	267006
21	PUMP HOUSING - MACH.	1		003877	003877	003877	003877
22	• SHAFT SEAL ASSEMBLY	1		267027	267027	267027	267027
23	IMPELLER - PLASTIC	1		150857	150857	150857	150857
	IMPELLER - CAST IRON			003884	003884	003884	003884
24	O-RING SEAL	1		005701	005701	005701	005701
25	BASE - PLASTIC	1		005199	005199	005199	005199
26	FLOAT	1	3	034019	034019	N/A	N/A
27	FLOAT ROD	1	3	001526	001526	N/A	N/A
28	FLOAT ROD GUIDE ASSEMBLY	1	3	004676	004676	N/A	N/A
29	VERTICAL FLOAT SWITCH ASSEMBLY	1	3	N/A	N/A	N/A	N/A
30	VERTICAL SWITCH CORD SEAL	1	3	N/A	N/A	N/A	N/A
31	WIRENUT	1	3	N/A	N/A	N/A	N/A
32	VERTICAL FLOAT SWITCH AND CORD SEAL	1	3	N/A	N/A	N/A	N/A
33	VERTICAL FLOAT ROD PIN	1	3	N/A	N/A	N/A	N/A
34	VERTICAL FLOAT ROD	1	3	N/A	N/A	N/A	N/A
35	VERTICAL FLOAT ROD STOP	2	3	N/A	N/A	N/A	N/A
36	VERTICAL FLOAT	1	3	N/A	N/A	N/A	N/A
37	VERTICAL FLOAT SWITCH BRACKET	1	3	N/A	N/A	N/A	N/A
38	VERTICAL FLOAT SWITCH GROMMET FOR BRACKET	1	3	N/A	N/A	N/A	N/A
39	SCREW-VERTICAL SWITCH (#8-32 X 5/8" LONG)	2	3	N/A	N/A	N/A	N/A
40	WORM GEAR CLAMP	1	3	N/A	N/A	N/A	N/A
41	• SCREW - CASE (1/4-20 X 3/4" LONG)	4		001916	001916	001916	001916
42	• SCREW - SWITCH (#6-32 X 7/16" LONG)	2	3	004644	004644	N/A	N/A
43	• SCREW - GROUND & CAPACITOR (#6-32 X 1/4" LONG)	1		001877	001877	001877	001877
44	• SCREW - MOTOR HOUSING (1/4-20 X 7/8" LONG)	4		012491	012491	012491	012491
45	• SCREW - STATOR (#8-32 X 3 1/16" LONG)	2		154768	154768	154768	154768
46	• SCREW - BASE (#10-10 X 1" LONG)	10		005326	005326	005326	005326
47	• SCREW - GUARD & RETAINERS/GUIDE (#10-24 X 3/8" LONG)	2		001883	001883	001883	001883
48	NUT, 5/16-24UNF SS ACORN/LOW CROWN	1	3	N/A	N/A	N/A	N/A
□	REBUILD KIT	1		155789	155789	155789	155789

• Items included in Rebuild Kit.

◻ Not shown on illustration.

Notes:

- 1) If an "X" follows model no., or date mfg. on ID tag, consult factory for ordering any parts.
- 2) See FM0160 Parts Price Sheet for listing of part prices.
- 3) "N/A" indicates not applicable.
- 4) Strain relief clamp is not sold separately, must order cord seal assembly.
- 5) Cut plug off if required.

REPLACEMENT PARTS LIST FOR MODELS "H266" & "I266"

See page 6 for illustration.

REF. NO.	DESCRIPTION	QTY	NOTES	MODELS:			
				H266-C	H266-D	I266-C	I266-D
				01/19 thru 05/20	06/20 thru CURRENT	01/19 thru 05/20	06/20 thru CURRENT
1	Case assembly - Automatic	1	3	004739	004739	N/A	N/A
	Cover assembly - Non-Auto & wired in float switch		3	N/A	N/A	267051	267051
2	• Handle	1		267032	267032	267032	267032
3	Case Mach. & Gasket - Automatic	1	3	155781	155781	N/A	N/A
	Cover Mach. & Gasket - Non-Auto & wired in float switch			N/A	N/A	267052	267052
4	• Retainer - Non-Automatic	2	3	N/A	N/A	267053	267053
5	• Guard - Automatic	1	3	267008	267008	N/A	N/A
6	• Gasket - Case/Cover	1		267007	267007	267007	267007
7	• Arm and Seal assembly	1	3	004741	004741	N/A	N/A
8	Switch Assembly	1	3	004740	004740	N/A	N/A
9	Capacitor assembly	1		155782	156952	155782	156952
10	• Wire package	1		155783	155783	155783	155783
11	• Cord seal and strain relief assembly	1	4	155784	155784	155784	155784
12	Cord assembly - 1 Phase-3 wire no plug	1	5	156032	156032	156033	156033
13	Motor Housing assembly	1		155786	156489	155786	156489
14	Stator with screws	1		155787	156959	155787	156959
15	• Thru wall terminals	3		003402	003402	003402	003402
16	• Test plugs	2		034090	034090	034090	034090
17	Rotor assembly	1		155788	156955	155788	156955
18	• Thrust washer	1		002140	002140	002140	002140
19	• Dielectric oil	1		267056	267056	267056	267056
20	• Motor housing seal	1		267006	267006	267006	267006
21	Pump housing - Mach.	1		003877	003877	003877	003877
22	• Shaft seal Assembly	1		267027	267027	267027	267027
23	Impeller - Plastic	1		150857	150857	150857	150857
	Impeller - Cast Iron		003884	003884	003884	003884	
24	O-ring seal	1		005701	005701	005701	005701
25	Base - Plastic	1		005199	005199	005199	005199
26	Float	1	3	034019	034019	N/A	N/A
27	Float rod	1	3	001526	001526	N/A	N/A
28	Float rod guide assembly	1	3	004676	004676	N/A	N/A
29	Vertical float switch assembly	1	3	N/A	N/A	N/A	N/A
30	Vertical switch cord seal	1	3	N/A	N/A	N/A	N/A
31	Wirenut	1	3	N/A	N/A	N/A	N/A
32	Vertical float switch and cord seal	1	3	N/A	N/A	N/A	N/A
33	Vertical float rod pin	1	3	N/A	N/A	N/A	N/A
34	Vertical float rod	1	3	N/A	N/A	N/A	N/A
35	Vertical float rod stop	2	3	N/A	N/A	N/A	N/A
36	Vertical float	1	3	N/A	N/A	N/A	N/A
37	Vertical float switch bracket	1	3	N/A	N/A	N/A	N/A
38	Vertical float switch grommet for bracket	1	3	N/A	N/A	N/A	N/A
39	Screw-Vertical switch (#8-32 x 5/8" long)	2	3	N/A	N/A	N/A	N/A
40	Worm gear clamp	1	3	N/A	N/A	N/A	N/A
41	• Screw - Case (1/4-20 x 3/4" long)	4		001916	001916	001916	001916
42	• Screw - Switch (#6-32 x 7/16" long)	2	3	004644	004644	N/A	N/A
43	• Screw - Ground & Capacitor (#6-32 x 1/4" long)	1		001877	001877	001877	001877
44	• Screw - Motor housing (1/4-20 x 7/8" long)	4		012491	012491	012491	012491
45	• Screw - Stator (#8-32 x 3/16" long)	2		154768	154768	154768	154768
46	• Screw - Base (#10-10 x 1" long)	10		005326	005326	005326	005326
47	• Screw - Guard & retainers/Guide (#10-24 x 3/8" long)	2		001883	001883	001883	001883
48	Nut,5/16-24Unf SS Acorn/Low Crown	1	3	N/A	N/A	N/A	N/A
o	REBUILD KIT	1		155789	155789	155789	155789

• Items included in Rebuild Kit.

◦ Not shown on illustration.

Notes:

- 1) If an "X" follows model no., or date mfg. on ID tag, consult factory for ordering any parts.
- 2) See FM0160 Parts Price Sheet for listing of part prices.
- 3) "N/A" indicates not applicable.
- 4) Strain relief clamp is not sold separately, must order cord seal assembly.
- 5) Cut plug off if required.

REPLACEMENT PARTS LIST FOR MODELS "J266", "F266" & "G266"

See page 6 for illustration.

REF. NO.	DESCRIPTION	QTY	NOTES	MODELS:		J266-B	J266-C	F266-B	F266-C	G266-B	G266-C
				01/19 thru 08/20	09/20 thru CURRENT	01/19 thru 08/20	09/20 thru CURRENT	02/19 thru 08/20	09/20 thru CURRENT		
1	Case assembly - Automatic	1	3	N/A	N/A	N/A	N/A	N/A	N/A	N/A	N/A
	Cover assembly - Non-Auto & wired in float switch		3	267051	267051	267051	267051	267051	267051	267051	
2	• Handle	1		267032	267032	267032	267032	267032	267032	267032	267032
3	Case Mach. & Gasket - Automatic	1	3	N/A	N/A	N/A	N/A	N/A	N/A	N/A	N/A
	Cover Mach. & Gasket - Non-Auto & wired in float switch			267052	267052	267052	267052	267052	267052	267052	
4	• Retainer - Non-Automatic	2		267053	267053	267053	267053	267053	267053	267053	267053
5	• Guard - Automatic	1	3	N/A	N/A	N/A	N/A	N/A	N/A	N/A	N/A
6	• Gasket - Case/Cover	1		267007	267007	267007	267007	267007	267007	267007	267007
7	• Arm and Seal assembly	1	3	N/A	N/A	N/A	N/A	N/A	N/A	N/A	N/A
8	Switch Assembly	1	3	N/A	N/A	N/A	N/A	N/A	N/A	N/A	N/A
9	Capacitor assembly	1	3	N/A	N/A	N/A	N/A	N/A	N/A	N/A	N/A
10	• Wire package	1	3	N/A	N/A	N/A	N/A	N/A	N/A	N/A	N/A
11	• Cord seal and strain relief assembly	1	4	155784	155784	155784	155784	155784	155784	155784	155784
12	Cord assembly/3 Phase - 4 wire no plug	1	5	003761	003761	003761	003761	003761	003761	003761	003761
13	Motor Housing assembly	1		155786	156489	155786	156489	155786	156489	155786	156489
14	Stator with screws	1		155787	156960	155787	156962	155787	156966	155787	156966
15	• Thru wall terminals	3		003402	003402	003402	003402	003402	003402	003402	003402
16	• Test plugs	2		034090	034090	034090	034090	034090	034090	034090	034090
17	Rotor assembly	1		156038	156961	156038	156961	156038	156961	156038	156961
18	• Thrust washer	1		002140	002140	002140	002140	002140	002140	002140	002140
19	• Dielectric oil	1		267056	267056	267056	267056	267056	267056	267056	267056
20	• Motor housing seal	1		267006	267006	267006	267006	267006	267006	267006	267006
21	Pump housing - Mach.	1		003877	003877	003877	003877	003877	003877	003877	003877
22	• Shaft seal Assembly	1		267027	267027	267027	267027	267027	267027	267027	267027
23	Impeller - Cast Iron	1		009884	009884	009884	009884	009884	009884	009884	009884
24	O-ring seal	1		005701	005701	005701	005701	005701	005701	005701	005701
25	Base - Plastic	1		005199	005199	005199	005199	005199	005199	005199	005199
26	Float	1	3	N/A	N/A	N/A	N/A	N/A	N/A	N/A	N/A
27	Float rod	1	3	N/A	N/A	N/A	N/A	N/A	N/A	N/A	N/A
28	Float rod guide assembly	1	3	N/A	N/A	N/A	N/A	N/A	N/A	N/A	N/A
29	Vertical float switch assembly	1	3	N/A	N/A	N/A	N/A	N/A	N/A	N/A	N/A
30	Vertical switch cord seal	1	3	N/A	N/A	N/A	N/A	N/A	N/A	N/A	N/A
31	Wrenut	1	3	N/A	N/A	N/A	N/A	N/A	N/A	N/A	N/A
32	Vertical float switch and cord seal	1	3	N/A	N/A	N/A	N/A	N/A	N/A	N/A	N/A
33	Vertical float rod pin	1	3	N/A	N/A	N/A	N/A	N/A	N/A	N/A	N/A
34	Vertical float rod	1	3	N/A	N/A	N/A	N/A	N/A	N/A	N/A	N/A
35	Vertical float rod stop	2	3	N/A	N/A	N/A	N/A	N/A	N/A	N/A	N/A
36	Vertical float	1	3	N/A	N/A	N/A	N/A	N/A	N/A	N/A	N/A
37	Vertical float switch bracket	1	3	N/A	N/A	N/A	N/A	N/A	N/A	N/A	N/A
38	Vertical float switch grommet for bracket	1	3	N/A	N/A	N/A	N/A	N/A	N/A	N/A	N/A
39	Screw-Vertical switch (#8-32 x 5/8" long)	2	3	N/A	N/A	N/A	N/A	N/A	N/A	N/A	N/A
40	Worm gear clamp	1	3	N/A	N/A	N/A	N/A	N/A	N/A	N/A	N/A
41	• Screw - Case (1/4-20 x 3/4" long)	4		001916	001916	001916	001916	001916	001916	001916	001916
42	• Screw - Switch (#6-32 x 7/16" long)	2	3	004644	004644	N/A	N/A	N/A	N/A	N/A	N/A
43	• Screw - Ground & Capacitor (#6-32 x 1/4" long)	1		001877	001877	001877	001877	001877	001877	001877	001877
44	• Screw - Motor housing (1/4-20 x 7/8" long)	4		012491	012491	012491	012491	012491	012491	012491	012491
45	• Screw - Stator (#8-32 x 3 1/16" long)	2		154768	154768	154768	154768	154768	154768	154768	154768
46	• Screw - Base (#10-10 x 1" long)	10		005326	005326	005326	005326	005326	005326	005326	005326
47	• Screw - Guard & retainers/Guide (#10-24 x 3/8" long)	2		001883	001883	001883	001883	001883	001883	001883	001883
48	Nut,5/16-24Unf SS Acorn/Low Crown	1	3	004348	004348	004348	004348	004348	004348	004348	004348
□	REBUILD KIT	1		155789	155789	155789	155789	155789	155789	155789	155789

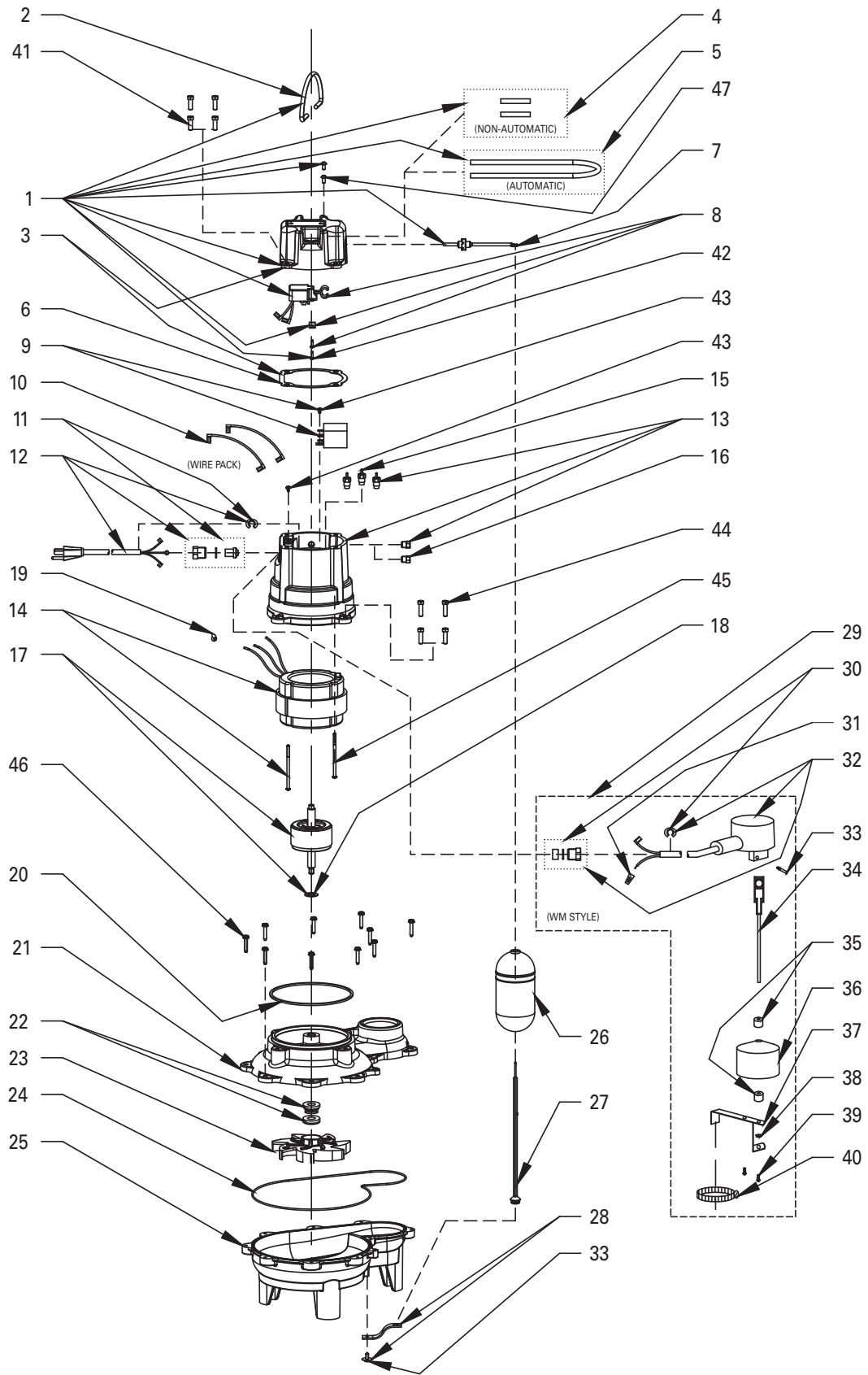
• Items included in Rebuild Kit.

□ Not shown on illustration.

Notes:

- 1) If an "X" follows model no., or date mfg. on ID tag, consult factory for ordering any parts.
- 2) See FM0160 Parts Price Sheet for listing of part prices.
- 3) "N/A" indicates not applicable.
- 4) Strain relief clamp is not sold separately, must order cord seal assembly.
- 5) Cut plug off if required.

REPLACEMENT PARTS ILLUSTRATION FOR ALL MODELS



SK3200

REPLACEMENT PARTS LIST FOR MODELS:

SPLIT PHASE MOTOR DESIGN

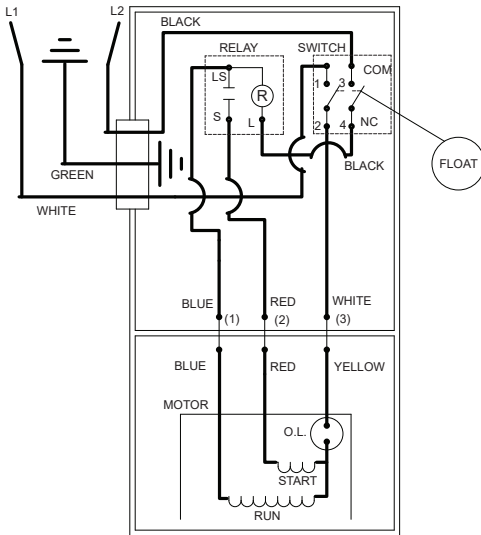
M266 AUTOMATIC 115V
 D266 AUTOMATIC 230V
 N266 NONAUTOMATIC 115V
 E266 NONAUTOMATIC 230V
 WM266 AUTOMATIC w/wired VLFS 115V

Consult factory for all other models.

TO ORDER REPLACEMENT PARTS:

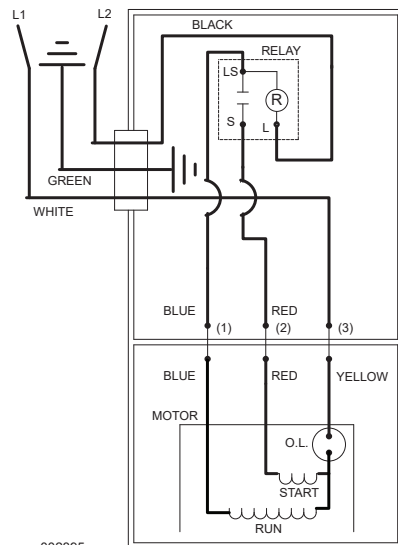
PLEASE FURNISH THE FOLLOWING INFORMATION:

- Model number
- Part number of pump
(If manufactured prior to June 1988, give 2 letter date code following Model No.)
- Part number and description of part



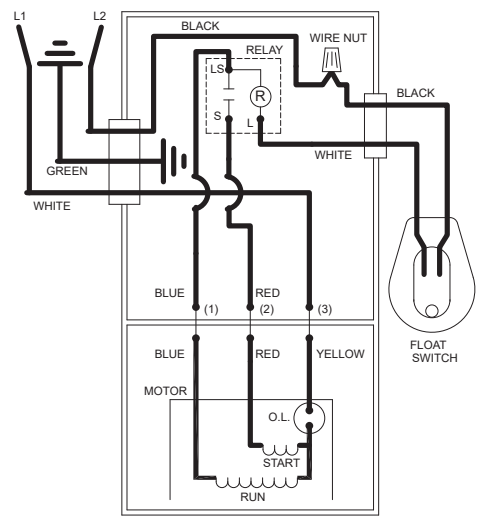
004620

WIRING DIAGRAM FOR MODELS
 "M266-A" and "M266-B"
 08/87 to 04/18
 "D266-A" and "D266-B"
 8/87 (UT) to 12/18



002395

WIRING DIAGRAM FOR MODELS
 "N266-A" and "N266-B"
 08/87 to 04/18
 "E266-A" and "E266-B"
 8/87 (UT) to 12/18



004414

WIRING DIAGRAM FOR MODELS
 "WM266-A", "WM266-B" and
 "WM266-C"
 08/87 to 04/18

REPLACEMENT PARTS LIST FOR MODELS "M266" & "D266"

See page 9 for "M266" & "D266" illustrations.

REF. NO.	DESCRIPTION	QTY	NOTES	MODELS: M266-A M266-B D266-A D266-B			
				8/87 thru 6/91	7/91 thru 04/18	8/87 thru 6/91	7/91 thru 12/18
1	Case & Switch Asm	1		004739	004739	004739	004739
2	• Handle	1		267032	267032	267032	267032
3	Case-Mach	1		004610	004610	004610	004610
4	• Gasket, Case/Cover	1		267007	267007	267007	267007
5	Relay Asm G5	1		002474	002474	147135	147135
6	• Wire Pkg (2) Wires	1		267014	267014	267014	267014
7	Housing, Mtr & Str GE	1	1,2	002475	002475	002476	002476
	Housing, Mtr & Str EMD	1	1,2	014797	014797	008642	008642
8	• Seal, Cord-Asm & Strain Relief	1	3	094032	094032	094032	094032
9	Cord Term & Seal Asm	1	3	094071	094071	094072	094072
10	Bearing, Upper	1		N/A	N/A	N/A	N/A
11	• Guard	1		267008	267008	267008	267008
12	• Arm & Seal Asm	1		004741	004741	004741	004741
13	Switch Asm	1		004740	004740	004740	004740
14	Float, Polypropylene	1		034019	034019	034019	034019
15	Rod, Float	1		001526	001526	001526	001526
16	Rotor Asm 115/230V/1Ph GE	1	2	267005	267005	267005	267005
	Rotor Asm 115/230V/1Ph EMD	1	2	004021	004021	004021	004021
17	• Seal, Mtr Hsg	1		267006	267006	267006	267006
18	• Washer, Trst-Nyl.875X.504X.050"	1		002140	002140	002140	002140
19	Housing, Pump-Mach	1		003877	003877	003877	003877
20	• Seal Asm, Shaft	1		267027	267027	267027	267027
21	Impeller "266"	1		003884	150857	003884	150857
22	• Seal, O-Ring			005701	005701	005701	005701
23	Base, Molded	1		005199	005199	005199	005199
24	Guide Asm, Flt Rod	1		005454	005454	005454	005454
25	• Oil, Dielectric (24.5 Oz)	1		267056	267056	267056	267056
26	• Seal, Thru Wall Term	3		003402	003402	003402	003402
27	• Plug, Test-White	2		034090	034090	034090	034090
28	• Clamp, Strain Relief	1	3, 5	N/A	N/A	N/A	N/A
29	• Screw, .25-20 X .75 HHm-SS	4		001916	001916	001916	001916
30	• Screw, #10-24 X.375 RHM-SI SS	2		001883	001883	001883	001883
31	• Screw, #6-32x.438Rhstlp"1"Stlzi	2		004644	004644	004644	004644
32	• Screw, #6-32x.25RHM SI Tc Stlgr	3		001877	001877	001877	001877
33	• Screw, #10-10x1-Unsltd Hex Wash	10		005326	005326	005326	005326
34	• Sem, 10-12x5HH-SIShmt ScTp A	1		003229	003229	003229	003229
35	• Screw, .25-20 X .875 HH SS	4		012491	012491	012491	012491
□	Rebuild Kit			004743	004743	004743	004743

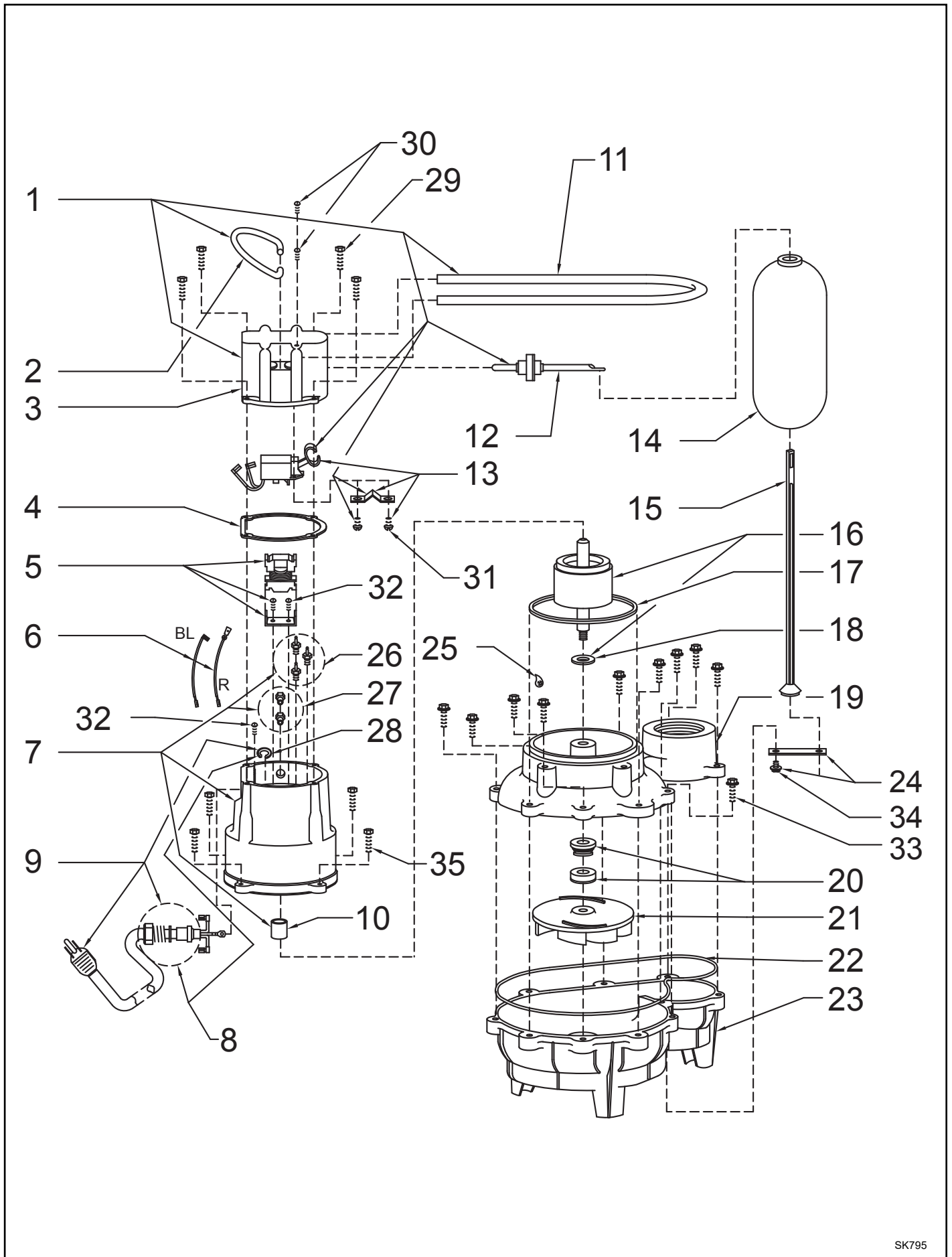
• Items included in Rebuild Kit.

□ Not shown in illustration.

NOTES:

- 1) Motor, housing, bearing, stator & term (Item 7) are preassembled at the factory and must be replaced as a unit. Stator is permanently attached to the motor housing. Plug (Item 27); seal, thru wall term. (Item 26) and bearing - upper (Item 10) are replaceable.
- 2) When ordering motor housing, bearing, stator and term. (Item 7) or Rotor (Item 16) specify either GE or Emerson motor. GE motor can be identified by (4) half oval slots spaced at 90° around the outside diameter of the stator. Emerson motor can be identified by (2) half oval slots spaced at 180° around the outside diameter of the stator.
- 3) If an "X" follows model no., or date mfg. on brass ID tag, consult factory for ordering any parts.
- 4) "NA" indicates, not applicable.
- 5) Clamp, strain relief (Item 28) is not sold separately, must order seal, cord asm (Item 8).

REPLACEMENT PARTS ILLUSTRATION FOR MODELS "M266" AND "D266"



SK795

REPLACEMENT PARTS LIST FOR MODELS "N266" & "E266"

See page 11 for "N266" & "E266" illustrations.

REF. NO.	DESCRIPTION	QTY	NOTES	MODELS: N266-A N266-B E266-A E266-B			
				8/87 UT thru 6/91	7/91 thru 04/18	8/87 UT thru 6/91	7/91 thru 12/18
1	Cover & Handle Asm	1		267051	267051	267051	267051
2	• Handle	1		267032	267032	267032	267032
3	Cover, Mach	1		267052	267052	267052	267052
4	Retainer, HdI-Na	1		267053	267053	267053	267053
5	• Gasket, Case/Cover	1		267007	267007	267007	267007
6	Relay Asm G5	1		002474	002474	147135	147135
7	• Wire Pkg (2) Wires	1		267014	267014	267014	267014
8	Housing, Mtr & Str GE	1	1,2	002475	002475	002476	002476
	Housing, Mtr & Str EMD	1	1,2	014797	014797	008642	008642
9	Cord Term & Seal	1	3	153878	153878	153879	153879
10	• Seal, Cord-Asm & Strain Relief	1	3	094032	094032	094032	094032
11	Bearing, Upper	1		N/A	N/A	N/A	N/A
12	Rotor Asm 115/230V/1Ph GE	1	2	267005	267005	267005	267005
	Rotor Asm 115/230V/1Ph EMD	1	2	004021	004021	004021	004021
13	• Seal, Mtr Hsg	1		267006	267006	267006	267006
14	• Washer, Trst-Nyl.875X.504X.050"	1		002140	002140	002140	002140
15	Housing, Pump-Mach	1		003877	003877	003877	003877
16	• Oil, Dielectric (24.5 Oz)	1		267056	267056	267056	267056
17	• Seal Asm, Shaft	1		267027	267027	267027	267027
18	Impeller "266"	1		003884	150857	003884	150857
19	• Seal, O-Ring-.093 X 34+/- .50"	1		005701	005701	005701	005701
20	Base, Molded	1		005199	005199	005199	005199
21	• Seal,Thru Wall Term	3		003402	003402	003402	003402
22	• Plug, Test-White	2		034090	034090	034090	034090
23	• Clamp, Strain Relief	1	5	N/A	N/A	N/A	N/A
24	• Screw, .25-20 X .75 HHm-SS	4		001916	001916	001916	001916
25	• Screw, #10-24 X.375 RHM-SI SS	2		001883	001883	001883	001883
26	• Screw, #6-32x.25RHM SI Tc Stlgr	3		001877	001877	001877	001877
27	• Screw, #10-10x1-Unsld Hex Wash	10		005326	005326	005326	005326
28	Screw, 1/4-20x.875 HH SS	4		012491	012491	012491	012491
□	Rebuild Kit			004743	004743	004743	004743

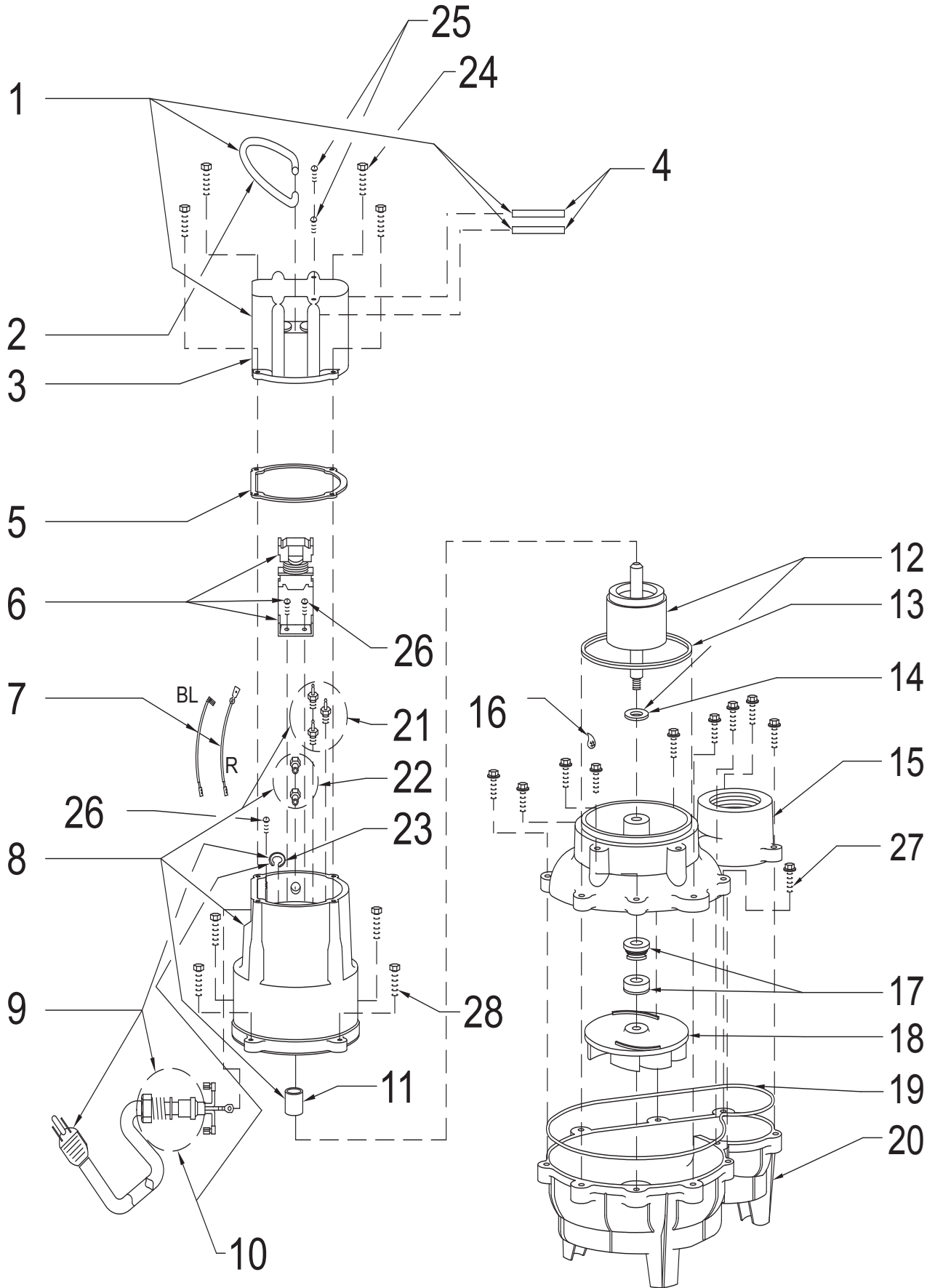
• Items included in Rebuild Kit.

□ Not shown in illustration.

NOTES:

- 1) Motor, housing, bearing, stator & term (Item 8) are preassembled at the factory and must be replaced as a unit. Stator is permanently attached to the motor housing. Plug (Item 22); seal, thru wall term. (Item 21) and bearing - upper (Item 11) are replaceable.
- 2) When ordering motor housing, bearing, stator and term. (Item 8) or Rotor (Item 12) specify either GE or Emerson motor. GE motor can be identified by (4) half oval slots spaced at 90° around the outside diameter of the stator. Emerson motor can be identified by (2) half oval slots spaced at 180° around the outside diameter of the stator.
- 3) If an "X" follows model no., or date Mfg. on brass ID tag, consult factory for ordering any parts.
- 4) "NA" indicates, not applicable.
- 5) Clamp, strain relief (Item 23) is not sold separately, must order seal, cord asm (Item 10).

REPLACEMENT PARTS ILLUSTRATION FOR MODEL "N266" AND "E266"



SK919

REPLACEMENT PARTS LIST FOR MODELS "WM266"

See page 13 for "WM266" illustration.

REF. NO.	DESCRIPTION	QTY	NOTES	MODELS: WM266-A		
				8/87 UT thru 6/91	7/91 thru 3/96	WM266-B
1	Cover & Handle Asm	1		267051	267051	267051
2	• Handle	1		267032	267032	267032
3	Cover, Mach	1		267052	267052	267052
4	• Retainer, HdI-Na	1		267053	267053	267053
5	• Gasket, Case/Cover	1		267007	267007	267007
6	Relay Asm 115V/G5	1		002474	002474	002474
7	• Wire Pkg (2) Wires	1		267014	267014	267014
8	Housing, Mtr & Str 115V/1Ph GE	1	1,2	004672	004672	004672
	Housing, Mtr & Str 115V/1Ph EMD	1	1,2	015451	015451	015451
9	Cord Term & Seal	1	3	153878	153878	153878
10	• Seal, Cord-Asm & Strain Relief	1		094032	094032	094032
11	Bearing,Upper	1		N/A	N/A	N/A
12	Rotor Asm 115/230V/1Ph GE	1	2	267005	267005	267005
	Rotor Asm 115/230V/1Ph EMD	1	2	004021	004021	004021
13	• Seal, Mtr Hsg	1		267006	267006	267006
14	• Washer,Trst-Nyl.875X.504X.050"	1		002140	002140	002140
15	Housing, Pump-Mach	1		003877	003877	003877
16	• Oil, Dielectric (24.5 Oz)	1		267056	267056	267056
17	• Seal Asm, Shaft	1		267027	267027	267027
18	Impeller "266"	1		003884	150857	150857
19	Base, Mach "266"	1		008646	008646	005199
20	• Seal, Thru Wall Term	3		003402	003402	003402
21	• Plug, Test-White	2		034090	034090	034090
22	Clamp, Cable-Nylon	1		004413	004413	NA
23	• Seal, Cord-Asm & Strain Relief	1		094032	094032	NA
24	Switch, Mf-Asm "WM266 QJ"	1		009630	009630	NA
25	Seal, Cord-Asm "WM266 QJ"	1		004486	004486	NA
26	Connector, Wirenut	1		001776	001776	001776
27	• Screw, .25-20 X .75 HHm-SS	4		001916	001916	001916
28	• Screw, #10-24 X.375 RHM-SI SS	3		001883	001883	001883
29	• Screw, #6-32x.25RHM SI Tc Stlgr	3		001877	001877	001877
30	Screw, #10-10 X 1 - UNSLTD HEX	10		NA	NA	005326
31	Seal, O-Ring	1		NA	NA	005701
32	Switch, Flt & Btk Asm	1		NA	NA	010700
33	Switch, Vert. Flt & Seal	1		NA	NA	009631
34	Clamp, #40HS Worm-SS	1		NA	NA	004304
35	Seal, Cord Asm	1		NA	NA	004486
36	Clamp, Strain Relief	1		NA	NA	001770
37	Rod, Float	1	5	NA	NA	009118
38	Float Rod Retaining Pin	1		NA	NA	009121
39	Float Rod Stop	2		NA	NA	009120
40	Float, Mech Switch	1		NA	NA	009119
41	Bracket, Switch Mtg.	1		NA	NA	009117
42	Grommet, Guide	1		NA	NA	003052
43	Screw, #8-32 X .625"	2		NA	NA	009111
44	Screw, 1/4-20x.875 HH SS	4		012491	012491	012491
□	Rebuild Kit			004743	004743	004743

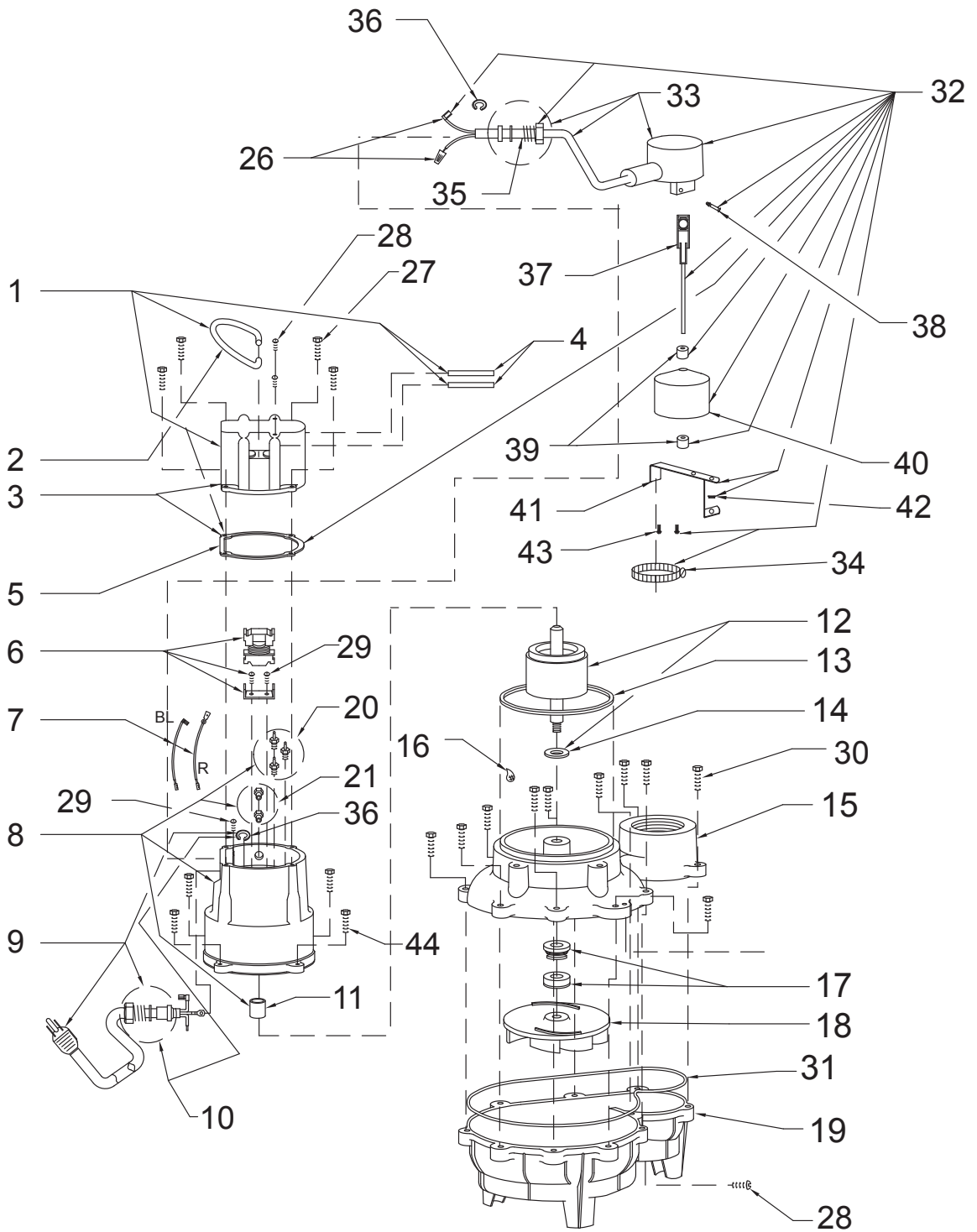
• Items included in Rebuild Kit.

□ Not shown in illustration.

NOTES:

- 1) Motor, housing, bearing, stator & term (Item 8) are preassembled at the factory and must be replaced as a unit. Stator is permanently attached to the motor housing. Plug (Item 21); seal, thru wall term. (Item 20) and bearing - upper (Item 11) are replaceable.
- 2) When ordering motor housing, bearing, stator and term. (Item 8) or Rotor (Item 12) specify either GE or Emerson motor. GE motor can be identified by (4) half oval slots spaced at 90° around the outside diameter of the stator. Emerson motor can be identified by (2) half oval slots spaced at 180° around the outside diameter of the stator.
- 3) If an "X" follows model no., or date mfg. on brass ID tag, consult factory for ordering any parts.
- 4) "NA" indicates, not applicable.
- 5) Units manufactured from 7/91 - 9/97 use a 7" float rod; units manufactured after 9/97 use a 10" float rod.

REPLACEMENT PARTS ILLUSTRATION FOR MODELS "WM266"



22,23,24, & 25 NOT SHOWN

REPLACEMENT PARTS LIST FOR MODELS:

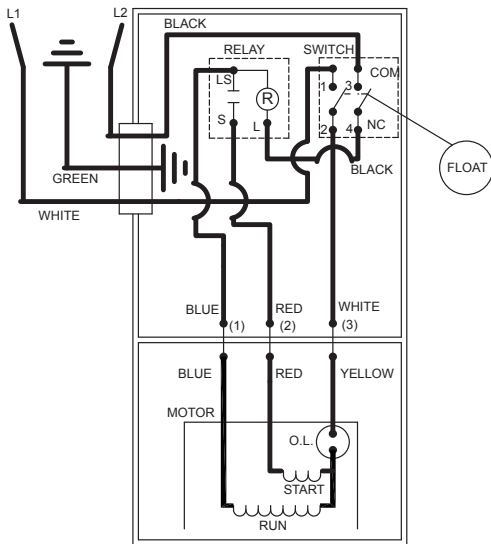
H266 AUTOMATIC 200V/1PH
 I266 NONAUTOMATIC 200V/1PH
 J266 NONAUTOMATIC 200V/3PH
 F266 NONAUTOMATIC 230V/3PH
 G266 NONAUTOMATIC 460V/3PH

Consult factory for all other models

TO ORDER REPLACEMENT PARTS:

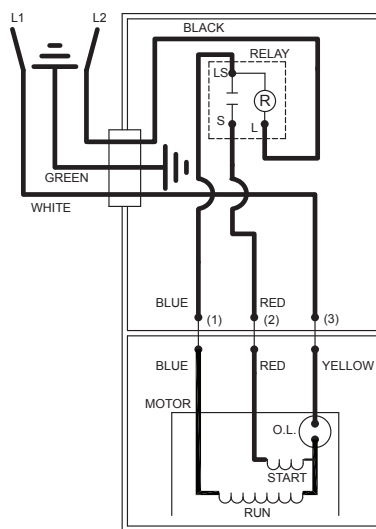
PLEASE FURNISH THE FOLLOWING INFORMATION:

- Model Number.
- Part Number of Pump.
- Part Number and Description of part.



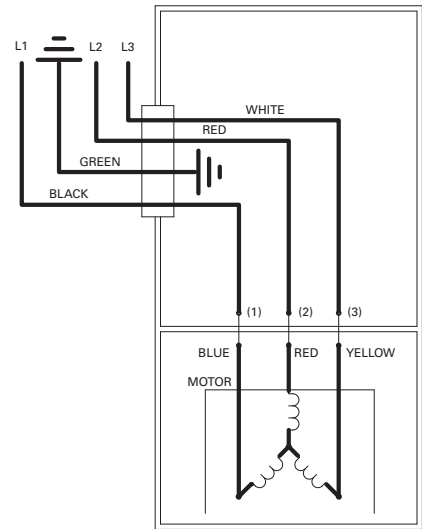
004620

WIRING DIAGRAM FOR MODELS
 "H266-A" and "H266-B"
 5/90 thru 12/18



002395

WIRING DIAGRAM FOR MODEL
 "I266-A" and "I266-B"
 5/90 thru 12/18



006848

WIRING DIAGRAM FOR MODELS
 "F266-A", "G266-A" and "J266-A"
 10/92 thru 12/18

REPLACEMENT PARTS LIST FOR MODEL "H266"

See page 18 for "H266" illustration.

REF. NO.	DESCRIPTION	QTY	NOTES	MODEL: H266-A	
				5/90 thru 6/91	H266-B 7/91 thru 12/18
1	Case & Switch Asm	1		004739	004739
2	• Handle	1		267032	267032
3	Case-Mach	1		004610	004610
4	• Gasket, Case/Cover	1		267007	267007
5	Relay Asm	1		001536	001536
6	• Wire Pkg (2) Wires	1		267014	267014
7	Housing, Mtr & Str	1	1 & 2	003781	003781
8	• Seal, Cord-Asm & Strain Relief	1		094032	094032
9	Cord Term & Seal Asm	1		006930	006930
10	Bearing, Upper Rotor	1		N/A	N/A
11	• Guard	1		267008	267008
12	• Arm & Seal Asm	1		004741	004741
13	Switch Asm	1		004740	004740
14	Float, Polypropylene	1		034019	034019
15	Rod, Float-Molded	1		001526	001526
16	Rotor Asm	1	2	267005	267005
17	• Seal, Mtr Hsg	1		267006	267006
18	• Washer, Trst-Nyl.875X.504X.050"	1		002140	002140
19	Housing, Pump-Mach	1		003877	003877
20	• Seal Asm, Shaft	1		267027	267027
21	Impeller "266"	1		003884	150857
22	Seal, O-ring	1		005701	005701
23	Base-Molded	1		005199	005199
24	Guide Asm, Float Rod	1		005454	005454
25	• Oil, Dielectric (24.5 oz)	1		267056	267056
26	• Seal, Thru Wall Term	3		003402	003402
27	• Plug, Test-White	2		034090	034090
28	• Clamp, Strain Relief	1	4	N/A	N/A
29	• Screw, .25-20X.75 HHM-SS	4		001916	001916
30	• Screw, #10-24X.37RHM-SL SS	2		001883	001883
31	• Screw, #6-32X.438RH PH TP PE 23	2		004644	004644
32	• Screw, #6-32X.25RHM SLTC STLGR	3		001877	001877
33	• Screw, #10-10X1-UNSLTD HEXWash	10		005326	005326
34	• Sem, 10-12X.5HH-SLSHMT SCR TP	1		003229	003229
35	• Screw, .25-20X.875"LG HH SS	4		012491	012491
□	Rebuild Kit	1		004743	004743

• Items included in Rebuild Kit.

□ Not shown in illustration.

NOTES:

- 1) Motor housing, bearing, stator & terminal are preassembled at the factory and must be replaced as a unit. Stator is permanently attached to motor housing. Plug, test-white and seal, thru wall terminal are replaceable.
- 2) When ordering motor housing, bearing, stator and terminal, or rotor and bearing, specify either GE or Emerson motor.
- 3) See FM0160 parts price sheet for listing of parts prices.
- 4) Clamp, Strain Relief (Item 28) is not sold separately, must order Seal, Cord Asm (Item 8).

REPLACEMENT PARTS LIST FOR MODEL "I266"

See page 19 for "I266" illustration.

REF. NO.	DESCRIPTION	QTY	NOTES	MODEL: I266-A	
				5/90 thru 6/91	7/91 thru 12/18
1	Cover & Handle Asm	1		267051	267051
2	• Handle	1		267032	267032
3	Cover-Mach	1		267052	267052
4	Retainer, HDL-NA	1		267053	267053
5	• Gasket, Case/Cover	1		267007	267007
6	Relay Asm	1		001536	001536
7	• Wire Pkg (2) Wires	1		267014	267014
8	Housing, Mtr & Str	1	1 & 2	003781	003781
9	• Seal, Cord-Asm & Strain Relief	1		094032	094032
10	Cord Term & Seal Asm	1		007071	007071
11	Bearing, Upper Rotor	1		N/A	N/A
12	Rotor Asm	1	2	267005	267005
13	• Seal, Mtr Hsg	1		267006	267006
14	• Washer, Trst-Nyl.875X.504X.050"	1		002140	002140
15	Housing, Pump-Mach	1		003877	003877
16	• Oil, Dielectric (24.5 oz)	1		267056	267056
17	• Seal Asm, Shaft	1		267027	267027
18	Impeller "266"	1		003884	150857
19	Seal, O-ring	1		005701	005701
20	Base-Molded	1		005199	005199
21	• Seal, Thru Wall Term	3		003402	003402
22	• Plug, Test-White	2		034090	034090
23	• Clamp, Strain Relief	1	4	N/A	N/A
24	• Screw, .25-20X.75 HHM-SS	4		001916	001916
25	• Screw, #10-24X.37RHM-SL SS	2		001833	001833
26	• Screw, #6-32X.25RHM SLTC STLGR	3		001877	001877
27	• Screw, #10-10X1-UNSLTD HEXWash	10		005326	005326
28	• Screw, .25-20X.875"LG HH SS	4		012491	012491
□	Rebuild Kit	1		004743	004743

• Items included in Rebuild Kit.

□ Not shown in illustration.

NOTES:

- 1) Motor housing, bearing, stator & terminal are preassembled at the factory and must be replaced as a unit. Stator is permanently attached to motor housing. Plug, test-white and seal, thru wall terminal are replaceable.
- 2) When ordering motor housing, bearing, stator and terminal, or rotor and bearing, specify either GE or Emerson motor.
- 3) See FM0160 parts price sheet for listing of parts prices.
- 4) Clamp, Strain Relief (Item 23) is not sold separately, must order Seal, Cord Asm (Item 9).

REPLACEMENT PARTS LIST FOR MODEL "F266", "G266" and "J266"

See page 20 for illustrations.

REF. NO.	DESCRIPTION	QTY	NOTES	MODELS: F266-A			G266-A	J266-A
				10/92 thru 12/18			10/92 thru 01/19	
1	Cover & Handle Asm	1		267051			267051	267051
2	• Handle	1		267032			267032	267032
3	Cover-Mach	1		267052			267052	267052
4	Gasket, Case/Cover	1		267007			267007	267007
5	Housing, Mtr & Str	1	1 & 2	004966			009510	009511
6	Seal, O-ring	1		005701			005701	005701
7	• Clamp, Strain Relief	1		001770			001770	001770
8	Cordage Term & Seal	1		003761			003761	003761
9	• Seal, Cord-Asm & Strain Relief	1		094032			094032	094032
10	• Plug, Test-White	2		034090			034090	034090
11	• Seal, Thru Wall Term	3		003402			003402	003402
12	Retainer, HDL-NA	2		267053			267053	267053
13	• Screw, #10-24X.375 RHM-SL SS	2		001883			001883	001883
14	• Screw, .25-20X.75 HHM-SS	4		001916			001916	001916
15	Rotor Asm	1	2	009506			009506	009506
16	• Washer, Trst-Nyl.875X.504X.050"	1		002140			002140	002140
17	• Seal, Mtr Hsg	1		267006			267006	267006
18	• Oil, Dielectric (24.5 oz)	1		267056			267056	267056
19	Housing, Pump-Mach	1		003877			003877	003877
20	• Seal Asm, Shaft	1		267027			267027	267027
21	Impeller "266"	1		009884			009884	009884
22	Base-Molded	1		005199			005199	005199
23	Screw, #10-10X1-UNSLTD HEX Wash	10		005326			005326	005326
24	Nut 5/16-24 Acorn	1		004348			004348	004348
25	• Screw, #6-32X.25RHM SL TC STLGR	3		001877			001877	001877
26	• Screw, .25-20X.875"LG HH SS	4		012491			012491	012491
□	Rebuild Kit	1		004743			004743	004743

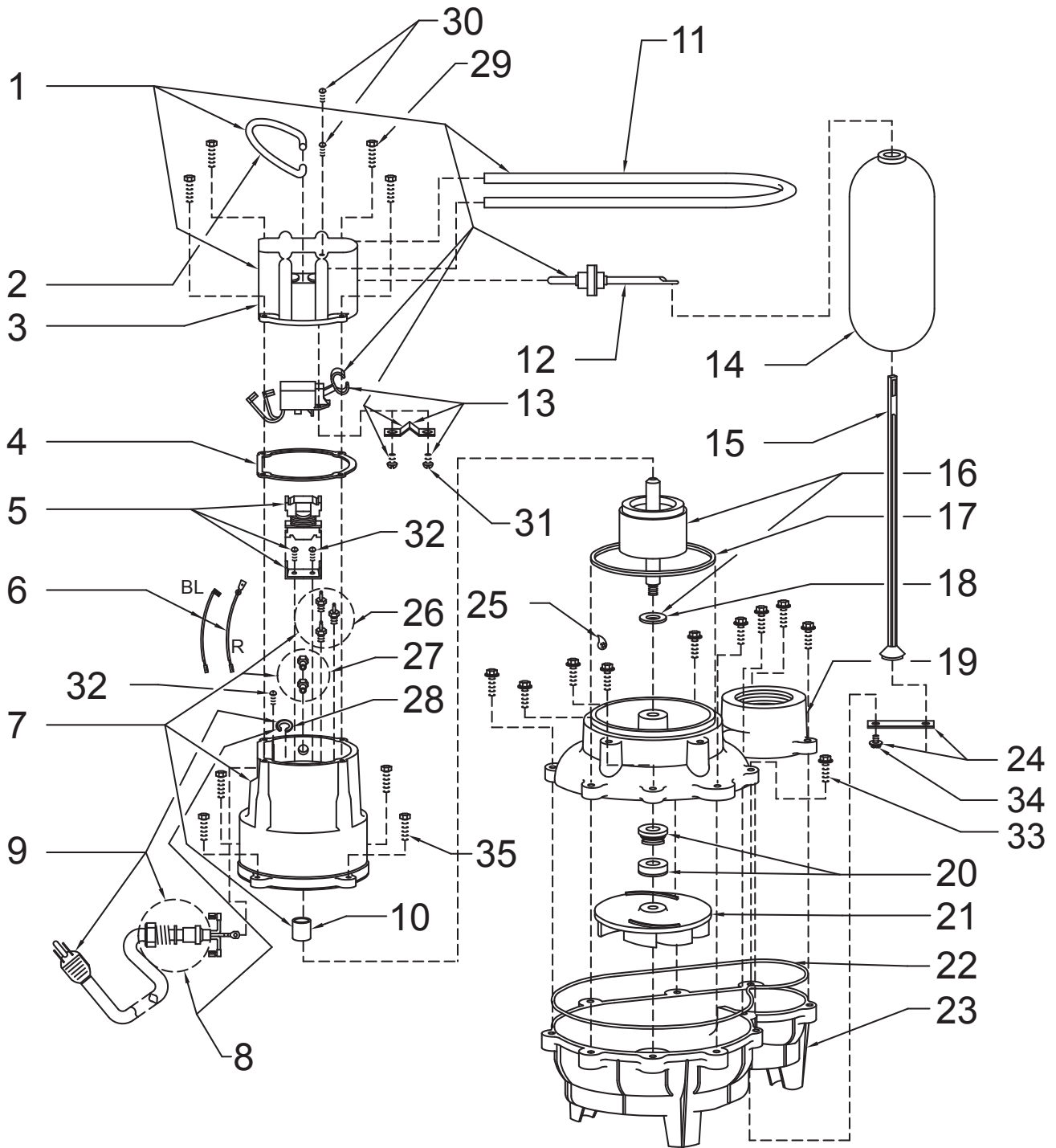
• Items included in Rebuild Kit.

□ Not shown in illustration.

NOTES:

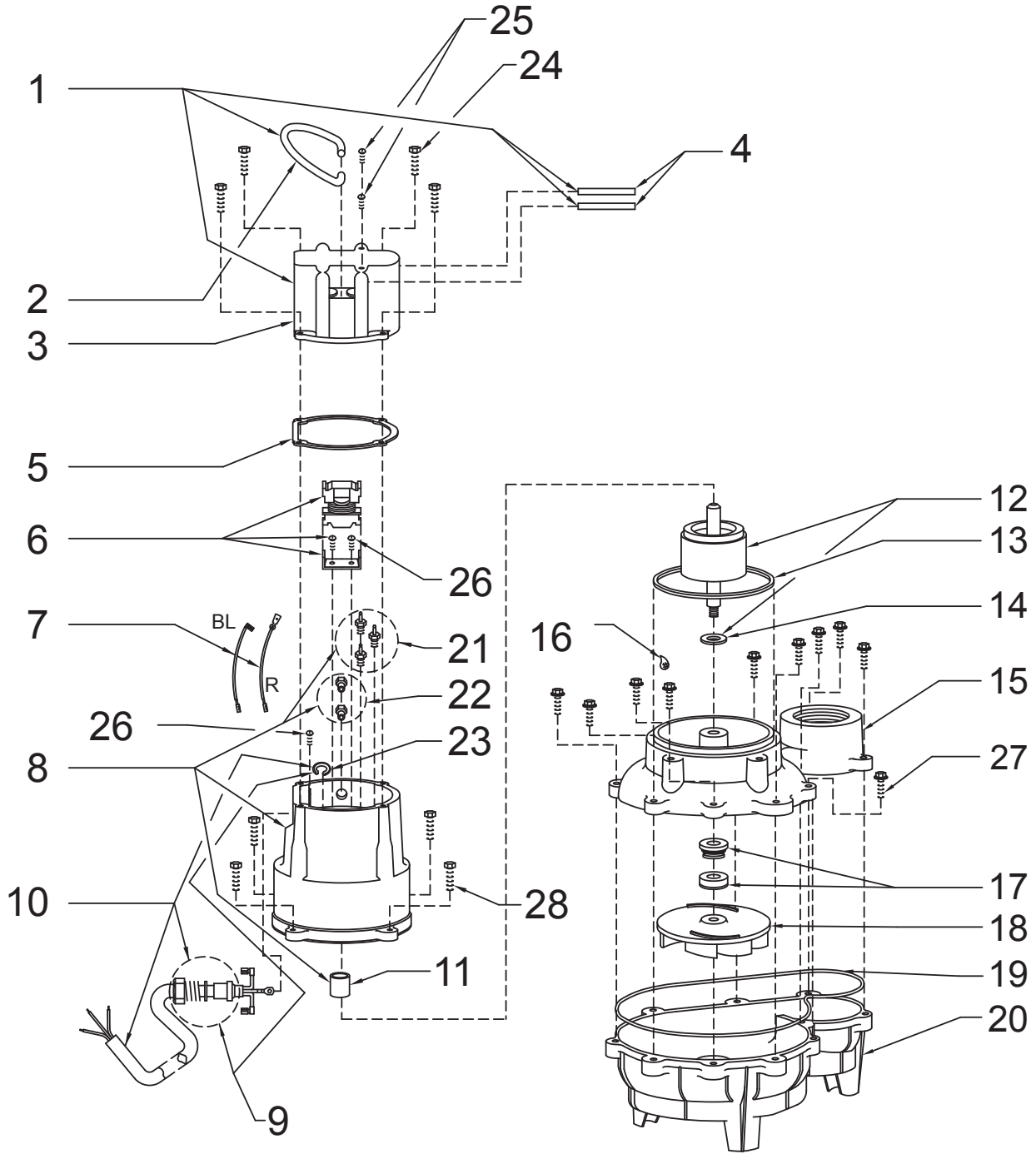
- 1) Motor housing, bearing, stator & terminal are preassembled at the factory and must be replaced as a unit. Stator is permanently attached to motor housing. Plug, test-white and seal, thru wall terminal are replaceable.
- 2) When ordering motor housing, bearing, stator and terminal, or rotor and bearing, specify either GE or Emerson motor.
- 3) See FM0160 parts price sheet for listing of parts prices.

REPLACEMENT PARTS ILLUSTRATION FOR MODELS "H266"



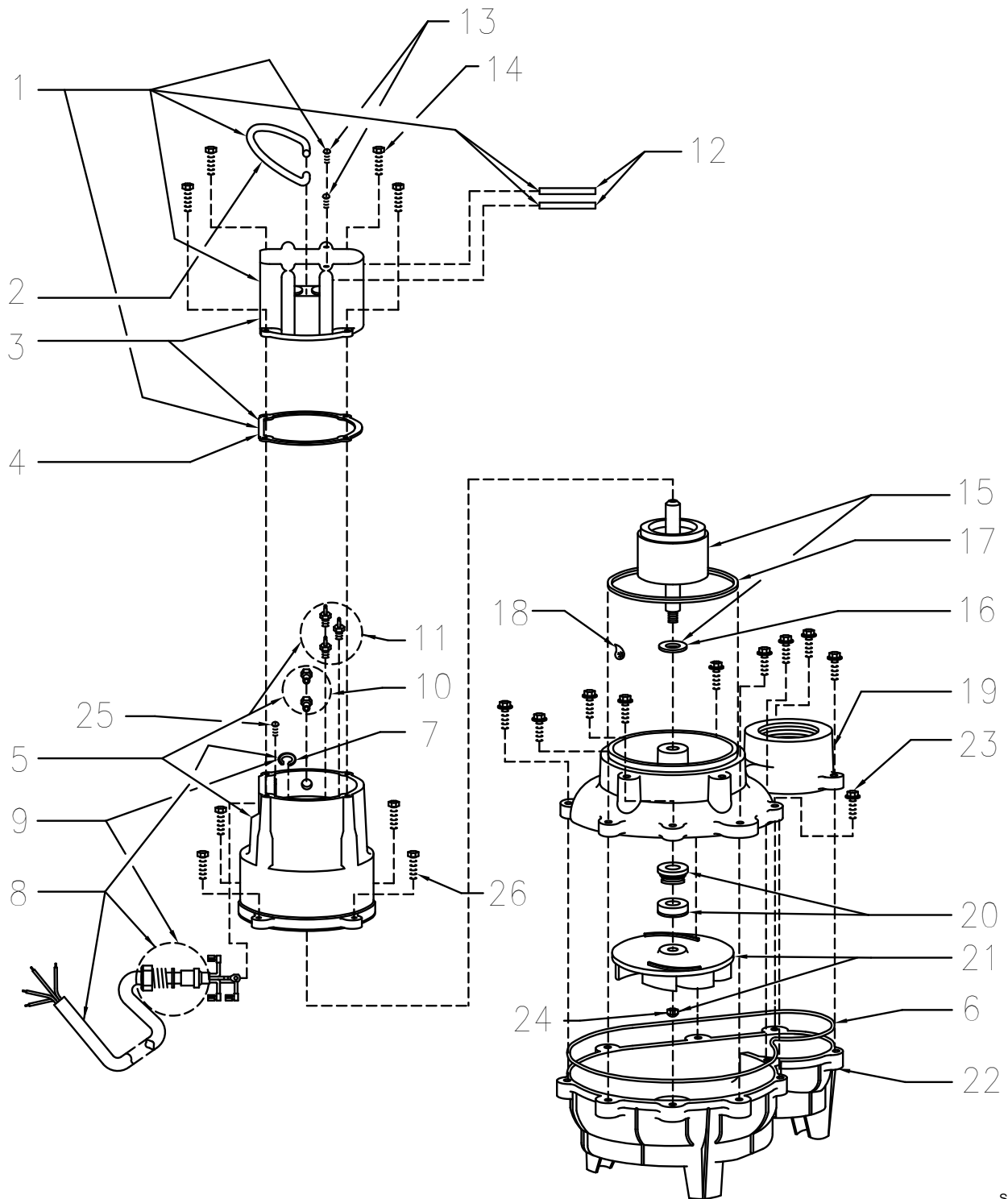
SK795

REPLACEMENT PARTS ILLUSTRATION FOR MODELS "I266"



SK2496

REPLACEMENT PARTS ILLUSTRATION FOR MODELS "F, G & J266"



SK1884



MAIL TO: P.O. BOX 16347 • Louisville, KY 40256-0347
SHIP TO: 3649 Cane Run Road • Louisville, KY 40211-1961
(502) 778-2731 • 1 (800) 928-PUMP • FAX (502) 774-3624

Trusted. Tested. Tough.®

Visit our website:
zoellerpumps.com