

Product information presented here reflects conditions at time of publication. Consult factory regarding discrepancies or inconsistencies.

MAIL TO: P.O. BOX 16347 • Louisville, KY 40256-0347  
 SHIP TO: 3649 Cane Run Road • Louisville, KY 40211-1961  
 Tel: (502) 778-2731 • 1 (800) 928-PUMP

Visit our website:  
 zoellerpumps.com

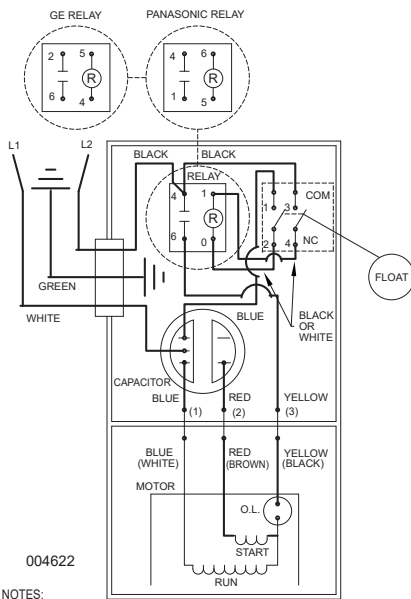
## REPLACEMENT PARTS LIST FOR MODELS:

- M292 AUTOMATIC 115V/1PH
- N292 NONAUTOMATIC 115V/1PH
- D292 AUTOMATIC 230V/1PH
- E292 NONAUTOMATIC 230V/1PH
- J292 NONAUTOMATIC 200V/3PH
- F292 NONAUTOMATIC 230V/3PH
- G292 NONAUTOMATIC 460V/3PH
- H292 AUTOMATIC 200V/1PH
- I292 NONAUTOMATIC 200V/1PH
- BA292 NONAUTOMATIC 575V / 3PH

Consult factory for all other models.

### TO ORDER REPLACEMENT PARTS PLEASE FURNISH THE FOLLOWING INFORMATION:

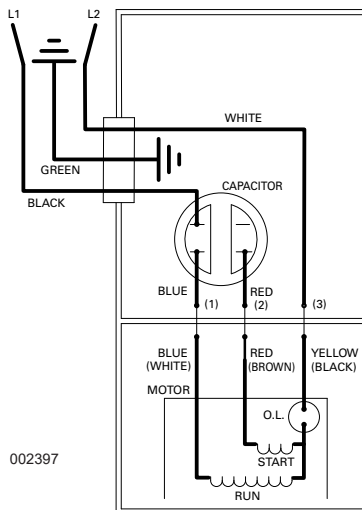
- Model number
- Part number of pump  
 (If manufactured prior to June 1988, give 2 letter date code following Model No.)
- Part number and description of part



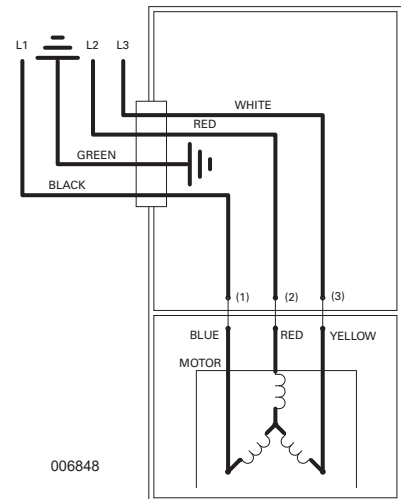
NOTES:

- 1) INSULATORS REQUIRED ON GE RELAY TERMINALS 2 & 5;  
 OMRON RELAY TERMINALS 1 & 4.  
 PANASONIC RELAY TERMINALS 6 & 4.

WIRING DIAGRAM FOR MODELS  
 "M292", "D292" and "H292" All Revisions  
 1/87 thru Current



WIRING DIAGRAM FOR MODELS  
 "N292", "E292" & "I292" All Revisions  
 1/87 thru Current



WIRING DIAGRAM FOR MODELS  
 "J292", "F292", "G292" & "BA292"  
 All Revisions

**REPLACEMENT PARTS LIST FOR MODEL "M292"**

See page 7 for illustration.

REF. NO.	DESCRIPTION	QTY	NOTES	MODELS: M292-A M292-B M292-C M292-D M292-E M292-F M292-G						
				1/87 MT thru 8/90	9/90 thru 10/98	11/98 thru 4/03	5/03 thru 11/09	12/09 thru 1/16	2/16 thru 5/16	6/16 thru Current
1	CASE, SW. & CORD	1	2	004746	006292	006292	014155	014155	014155	014155
2	• GUARD	1		001023	001023	001023	001023	001023	001023	001023
3	CASE-MACH	1	2	004614	004633	004633	014154	014154	014154	014154
4	• ARM & SEAL ASM	1		004745	004745	004745	004745	004745	004745	004745
5	• GASKET, CASE/COVER	1		001011	001011	001011	001011	001011	001011	001011
6	SWITCH ASM	1		004744	004744	004744	004744	004744	004744	004744
7	• WIRE PKG (5) WIRES	1		004749	004749	004749	004749	004749	004749	004749
8	RELAY	1		217092	217092	217092	217092	217092	153832	153832
9	CAPACITOR & CLAMP ASM	1		003575	003575	003575	003575	003575	003575	003575
10	FLOAT, PLASTIC	1		094039	094039	094039	094039	094039	094039	094039
11	GUIDE ASM, FLT ROD	1		001072	001072	001072	001072	001072	001072	001072
12	ROD ASM, FLT	1		001043	001043	001043	001043	150438	150438	150438
13	HOUSING, MTR-& STR	1	1,3	002497	002497	002497	002497	150580	150580	150580
14	BEARING, SLEEVE	1		001012	001012	001012	001012	NA	NA	NA
	• BEARING, RADIAL		NA	NA	NA	NA	006703	006703	006703	
15	• HANDLE	1		217069	217069	217069	217069	217069	217069	217069
16	CORD, TERM & SEAL ASM	1	2	002507	006290	006290	014168	014168	014168	014168
17	CLAMP, STRAIN RELIEF	1	2	001770	NA	NA	013764	013764	013764	013764
18	• SEAL, CORD-ASM & STRAIN RELIEF	1	2	094032	004375	004375	015634	015634	015634	015634
19	• PLUG, TEST-WHITE	2		034090	034090	034090	034090	034090	034090	034090
20	• SEAL, THRU WALL TERM	3		003402	003402	003402	003402	003402	003402	003402
21	ROTOR & BRG	1		002701	002701	002701	002701	150574	150574	150574
22	• BEARING, RADIAL	1	3	001013	001013	001013	001013	010069	010069	010069
23	• SEAL, MTR HSG	1		001014	001014	001014	001014	001014	001014	001014
24	• OIL, DIELECTRIC	1		002383	002383	002383	003168	011066	011066	011066
25	ADAPTER-MACH	1		001003	001003	001003	001003	001003	001003	001003
26	• SEAL, SHAFT	1		002430	002430	002430	002430	002430	002430	002430
27	FLANGE PKG 2" NPT	1		10-1305	10-1305	10-1305	10-1305	10-1305	10-1305	10-1305
	FLANGE PKG 3" NPT	1		10-1306	10-1306	10-1306	10-1306	10-1306	10-1306	10-1306
28	IMPELLER "292" BRONZE	1		005188	005188	005188	005188	005188	005188	005188
	IMPELLER "292" CAST IRON		NA	NA	NA	NA	NA	NA	153997	
29	HOUSING,PUMP-MACH	1		001005	001005	001005	001005	001005	001005	001005
30	• SCREW, #10-24 X.375 RHM-SL SS	2		001883	001883	001883	001883	001883	001883	001883
31	• SCREW, #6-32X.25RHM SL TC STLGR	5		001877	001877	001877	001877	001877	001877	001877
32	• SCREW, .25-20 X .75 HHM-SS	4		001916	001916	001916	001916	001916	001916	001916
33	• SCREW, #6-32X.438 RHSLTP STLZI	2		004644	004644	004644	004644	004644	004644	004644
34	• SCREW, .5-13 X 2 HH CAP-SS	2		001909	001909	001909	001909	001909	001909	001909
35	• WASHER, SS-1.25"ODX.562"IDX.078	2		002115	002115	002115	002115	002115	002115	002115
36	• SCREW, .313-18 X 1" HH CAP-SS	4		002608	002608	002608	002608	002608	002608	002608
37	• SCREW, .25-20X1" HHM-SS	4		007790	007790	007790	007790	007790	007790	007790
□	REBUILD KIT			004747	004747	004747	016103	019647	019647	019647

• Items included in Rebuild Kit. □ Not shown in illustration.

**NOTES:**

- 1) Mtr. Hsg., Brg., Stator & Term. (Item 13) is preassembled at the factory and must be replaced as a unit. Stator is permanently attached to the Motor Housing. Plug (Item 19); Seal, Thru Wall Term. (Item 20) and Bearing - Upper (Item 14) are replaceable.
- 2) If an "X" follows Model No., or Date Mfg. on ID tag, consult factory for ordering of this part.
- 3) When ordering specify either General Electric or Emerson motor.
- 4) See FM0160 Parts Price Sheet for listing of parts prices.
- 5) "NA" indicates, not applicable.

# REPLACEMENT PARTS LIST FOR MODEL "D292"

See page 7 for illustration.

REF. NO.	DESCRIPTION	QTY	NOTES	MODELS: D292-A		
				8/13 thru 1/16	D292-B	D292-C
1	CASE, SW.& CORD	1	2	004748	004748	004748
2	• GUARD	1		001023	001023	001023
3	CASE-MACH	1	2	004614	004614	004614
4	• ARM & SEAL ASM	1		004745	004745	004745
5	• GASKET, CASE/COVER	1		001011	001011	001011
6	SWITCH ASM	1		004744	004744	004744
7	• WIRE PKG (5) WIRES	1		004749	004749	004749
8	RELAY	1		217093	153833	153833
9	CAPACITOR & CLAMP ASM	1		002381	002381	002381
10	FLOAT, PLASTIC	1		094039	094039	094039
11	GUIDE ASM, FLT ROD	1		001072	001072	001072
12	ROD ASM, FLT	1		150438	150438	150438
13	HOUSING, MTR-& STR	1	1,3	150582	150582	150582
14	BEARING, SLEEVE	1		NA	NA	NA
	• BEARING, RADIAL			006703	006703	006703
15	• HANDLE	1		217069	217069	217069
16	CORD, TERM & SEAL ASM	1	2	002429	002429	002429
17	CLAMP, STRAIN RELIEF	1	2	001770	001770	001770
18	• SEAL, CORD-ASM & STRAIN RELIEF	1	2	094032	094032	094032
19	• PLUG, TEST-WHITE	2		034090	034090	034090
20	• SEAL, THRU WALL TERM	3		003402	003402	003402
21	ROTOR & BRG	1		150575	150575	150575
22	• BEARING, RADIAL	1	3	010069	010069	010069
23	• SEAL, MTR HSG	1		001014	001014	001014
24	• OIL, DIELECTRIC	1		011066	011066	011066
25	ADAPTER-MACH	1		001003	001003	001003
26	• SEAL, SHAFT	1		002430	002430	002430
27	FLANGE PKG 2" NPT	1		10-1305	10-1305	10-1305
	FLANGE PKG 3" NPT	1		10-1306	10-1306	10-1306
28	IMPELLER "292" BRONZE	1		005188	005188	005188
	IMPELLER "292" CAST IRON			NA	NA	153997
29	HOUSING,PUMP-MACH	1		001005	001005	001005
30	• SCREW, #10-24 X.375 RHM-SL SS	2		001883	001883	001883
31	• SCREW, #6-32X.25RHM SL TC STLGR	5		001877	001877	001877
32	• SCREW, .25-20 X .75 HHM-SS	4		001916	001916	001916
33	• SCREW, #6-32X.438 RHSLTP STLZI	2		004644	004644	004644
34	• SCREW, 5-13 X 2 HH CAP-SS	2		001909	001909	001909
35	• WASHER, SS-1.25"ODX.562"IDX.078	2		002115	002115	002115
36	• SCREW, .313-18 X 1" HH CAP-SS	4		002608	002608	002608
37	• SCREW, .25-20X1" HHM-SS	4		007790	007790	007790
□	REBUILD KIT			019647	019647	019647

• Items included in Rebuild Kit.

□ Not shown in illustration.

## NOTES:

- 1) Mtr. Hsg., Brg., Stator & Term. (Item 13) is preassembled at the factory and must be replaced as a unit. Stator is permanently attached to the Motor Housing. Plug (Item 19); Seal, Thru Wall Term. (Item 20) and Bearing - Upper (Item 14) are replaceable.
- 2) If an "X" follows Model No., or Date Mfg. on ID tag, consult factory for ordering of this part.
- 3) When ordering specify either General Electric or Emerson motor.
- 4) See FM0160 Parts Price Sheet for listing of parts prices.
- 5) "NA" indicates, not applicable.

**REPLACEMENT PARTS LIST FOR MODEL "H292"**

See page 7 for illustration.

REF. NO.	DESCRIPTION	QTY	NOTES	MODELS: H292-A		
				12/13 thru 1/16	H292-B 2/16 thru 5/16	H292-C 6/16 thru Current
1	CASE, SW. & CORD	1	2	005383	005383	005383
2	• GUARD	1		001023	001023	001023
3	CASE-MACH	1	2	004614	004614	004614
4	• ARM & SEAL ASM	1		004745	004745	004745
5	• GASKET, CASE/COVER	1		001011	001011	001011
6	SWITCH ASM	1		004744	004744	004744
7	• WIRE PKG (5) WIRES	1		004749	004749	004749
8	RELAY	1		217093	153833	153833
9	CAPACITOR & CLAMP ASM	1		006135	006135	006135
10	FLOAT, PLASTIC	1		094039	094039	094039
11	GUIDE ASM, FLT ROD	1		001072	001072	001072
12	ROD ASM, FLT	1		150438	150438	150438
13	HOUSING, MTR- & STR	1	1,3	150581	150581	150581
14	BEARING, SLEEVE	1		N/A	N/A	N/A
	• BEARING, RADIAL			006703	006703	006703
15	• HANDLE	1		217069	217069	217069
16	CORD, TERM & SEAL ASM	1	2	005384	005384	005384
17	CLAMP, STRAIN RELIEF	1	2	001770	001770	001770
18	• SEAL, CORD-ASM & STRAIN RELIEF	1	2	094032	094032	094032
19	• PLUG, TEST-WHITE	2		034090	034090	034090
20	• SEAL, THRU WALL TERM	3		003402	003402	003402
21	ROTOR & BRG	1		150575	150575	150575
22	• BEARING, RADIAL	1	3	010069	010069	010069
23	• SEAL, MTR HSG	1		001014	001014	001014
24	• OIL, DIELECTRIC	1		011066	011066	011066
25	ADAPTER-MACH	1		001003	001003	001003
26	• SEAL, SHAFT	1		002430	002430	002430
27	FLANGE PKG 2" NPT	1		10-1305	10-1305	10-1305
	FLANGE PKG 3" NPT	1		10-1306	10-1306	10-1306
28	IMPELLER "292" BRONZE	1		005188	005188	005188
	IMPELLER "292" CAST IRON			N/A	N/A	153997
29	HOUSING,PUMP-MACH	1		001005	001005	001005
30	• SCREW, #10-24 X.375 RHM-SL SS	2		001883	001883	001883
31	• SCREW, #6-32X.25RHM SL TC STLGR	5		001877	001877	001877
32	• SCREW, .25-20 X .75 HHM-SS	4		001916	001916	001916
33	• SCREW, #6-32X.438 RHLSTP STLZI	2		004644	004644	004644
34	• SCREW, .5-13 X 2 HH CAP-SS	2		001909	001909	001909
35	• WASHER, SS-1.25"ODX.562"IDX.078	2		002115	002115	002115
36	• SCREW, .313-18 X 1" HH CAP-SS	4		002608	002608	002608
37	• SCREW, .25-20X1" HHM-SS	4		007790	007790	007790
□	REBUILD KIT			019647	019647	019647

• Items included in Rebuild Kit.      □ Not shown in illustration.

**NOTES:**

- 1) Mtr. Hsg., Brg., Stator & Term. (Item 13) is preassembled at the factory and must be replaced as a unit. Stator is permanently attached to the Motor Housing. Plug (Item 19); Seal, Thru Wall Term. (Item 20) and Bearing - Upper (Item 14) are replaceable.
- 2) If an "X" follows Model No., or Date Mfg. on ID tag, consult factory for ordering of this part.
- 3) When ordering specify either General Electric or Emerson motor.
- 4) See FM0160 Parts Price Sheet for listing of parts prices.
- 5) "NA" indicates, not applicable.

**REPLACEMENT PARTS LIST FOR MODELS "N292", "E292" & "I292"**

See page 8 for illustration.

REF. NO.	DESCRIPTION	QTY	NOTES	MODELS: N292-A N292-B N292-C N292-D N292-E N292-F						E292-A	E292-B	I292-A	I292-B
				1/87 MT thru 8/90	9/90 thru 10/98	11/98 thru 4/03	11/09 thru 2/10	12/09 thru 5/16	6/16 thru Current	8/13 thru 5/16	6/16 thru Current	12/13 thru 5/16	6/16 thru Current
1	HANDLE	1		217069	217069	217069	217069	217069	217069	217069	217069	217069	217069
2	COVER & CORD	1	2	002499	006293	006293	014158	014158	014158	002401	002401	013883	013883
3	COVER-MACH	1	2	001077	004372	004372	014150	014150	014150	001077	001077	001077	001077
4	• GASKET, CASE/COVER	1		001011	001011	001011	001011	001011	001011	001011	001011	001011	001011
5	• WIRE PKG (5) WIRES	1		004749	004749	004749	004749	004749	004749	004749	004749	004749	004749
6	CAPACITOR & CLAMP ASM	1		003575	003575	003575	003575	003575	003575	002381	002381	006135	006135
7	HOUSING, MTR- & STR	1	1,5	002497	002497	002497	002497	150580	150580	150582	150582	150581	150581
8	BEARING, SLEEVE	1		001012	001012	001012	001012	NA	NA	NA	NA	N/A	N/A
	• BEARING, RADIAL	1		NA	NA	NA	NA	006703	006703	006703	006703	006703	006703
9	CORD TERM & SEAL ASM	1	2	002508	006291	006291	014169	014169	014169	002402	002402	005385	005385
10	CLAMP, STRAIN RELIEF	1	2	001770	NA	NA	013764	013764	013764	001770	001770	001770	001770
11	• SEAL, CORD-ASM & STRAIN RELIEF	1	2	094032	004375	004375	015634	015634	015634	094032	094032	094032	094032
12	• PLUG, TEST-WHITE	2		034090	034090	034090	034090	034090	034090	034090	034090	034090	034090
13	• SEAL, THRU WALL TERM	3		003402	003402	003402	003402	003402	003402	003402	003402	003402	003402
14	ROTOR & BRG	1	5	002701	002701	002701	002701	150574	150574	150575	150575	150575	150575
15	• BEARING, RADIAL	1		001013	001013	001013	001013	010069	010069	010069	010069	010069	010069
16	• SEAL, MTR HSG	1		001014	001014	001014	001014	001014	001014	001014	001014	001014	001014
17	• OIL, DIELECTRIC	1		002383	002383	002383	003168	011066	011066	011066	011066	011066	011066
18	ADAPTER-MACH	1		001003	001003	001003	001003	001003	001003	001003	001003	001003	001003
19	• SEAL, SHAFT	1		002430	002430	002430	002430	002430	002430	002430	002430	002430	002430
20	FLANGE PKG 2" NPT	1		10-1305	10-1305	10-1305	10-1305	10-1305	10-1305	10-1305	10-1305	10-1305	10-1305
	FLANGE PKG 3" NPT	1		10-1306	10-1306	10-1306	10-1306	10-1306	10-1306	10-1306	10-1306	10-1306	10-1306
21	IMPELLER "292" BRONZE	1		005188	005188	005188	005188	005188	005188	005188	005188	005188	005188
	IMPELLER "292" CAST IRON			NA	NA	NA	NA	NA	153997	NA	153997	NA	153997
22	HOUSING, PUMP-MACH	1		001005	001005	001005	001005	001005	001005	001005	001005	001005	001005
23	• SCREW, #6-32X.25RHM SL TC STLGR	3		001877	001877	001877	001877	001877	001877	001877	001877	001877	001877
24	• SCREW, #10-24 X.375 RHM-SL SS	1		001883	001883	001883	001883	001883	001883	001883	001883	001883	001883
25	• SCREW, .25-20 X .75 HHM-SS	4		001916	001916	001916	001916	001916	001916	001916	001916	001916	001916
26	• SCREW, .5-13 X 2 HH CAP-SS	2		001909	001909	001909	001909	001909	001909	001909	001909	001909	001909
27	• WASHER, SS-1.25"ODX.562"IDX.078	2		002115	002115	002115	002115	002115	002115	002115	002115	002115	002115
28	• SCREW, .313-18 X 1"HH CAP-SS	4		002608	002608	002608	002608	002608	002608	002608	002608	002608	002608
29	• SCREW, .25-20X1" HHM-SS	4		007790	007790	007790	007790	007790	007790	007790	007790	007790	007790
o	REBUILD KIT			004747	004747	004747	014193	019648	019648	019648	019648	019648	019648

- Items included in Rebuild Kit.
- o Not shown in illustration.

**NOTES:**

- 1) If an "X" follows Model No., or Date Mfg. on ID tag, consult factory for ordering of this part.
- 2) Mtr. Hsg., Stator & Term. (item 7) is preassembled at the factory and must be replaced as a unit. Stator is permanently attached to the motor housing. Plug (item 12), Seal thru Wall Term. (item 13) and Bearing-Upper (item 8) are replaceable.
- 3) See FM0160 Parts Price Sheet for listing of parts prices.
- 4) "NA" indicates, not applicable.
- 5) When ordering specify either General Electric or Emerson motor.

**REPLACEMENT PARTS LIST FOR MODELS “J292”, “F292”, “G292” & “BA292”**

See page 8 for illustration.

REF. NO.	DESCRIPTION	QTY	NOTES	MODELS: J292-A J292-B		F292-A	F292-B	G292-A	G292-B	BA292-A	BA292-B
				8/13 thru 5/16	6/16 thru Current	8/13 thru 5/16	6/16 thru Current	8/13 thru 5/16	6/16 thru Current	3/10 thru 5/16	6/16 thru Current
1	HANDLE	1		217069	217069	217069	217069	217069	217069	217069	217069
2	COVER & CORD	1	2	002963	002963	002963	002963	002963	002963	002963	002963
3	COVER-MACH	1	2	001077	001077	001077	001077	001077	001077	001077	001077
4	• GASKET, CASE/COVER	1		001011	001011	001011	001011	001011	001011	001011	001011
5	HOUSING, MTR & STR	1		150583	150583	150584	150584	150585	150585	150842	150842
6	BEARING, UPPER SLEEVE	1		NA	NA	NA	NA	NA	NA	NA	NA
	• BEARING, UPPER BALL			006703	006703	006703	006703	006703	006703	006703	006703
7	• CLAMP, STRAIN RELIEF	1	1,5	001770	001770	001770	001770	001770	001770	001770	001770
8	CORD TERM & SEAL ASM	1		005131	005131	005131	005131	005131	005131	005131	005131
9	• SEAL, CORD-ASM & STRAIN RELIEF	1	2	094032	094032	094032	094032	094032	094032	094032	094032
10	PLUG, TEST-WHITE	2	2	034090	034090	034090	034090	034090	034090	034090	034090
11	• SEAL, THRU WALL TERM	3	2	003402	003402	003402	003402	003402	003402	003402	003402
12	ROTOR & BRG	1		150576	150576	150576	150576	150576	150576	150576	150576
13	• BEARING, RADIAL	1		010069	010069	010069	010069	010069	010069	010069	010069
14	• SEAL, MTR HSG	1	5	001014	001014	001014	001014	001014	001014	001014	001014
15	• OIL, DIELECTRIC	1		011066	011066	011066	011066	011066	011066	011066	011066
16	ADAPTER-MACH	1		001003	001003	001003	001003	001003	001003	001003	001003
17	• SEAL, SHAFT	1		002430	002430	002430	002430	002430	002430	002430	002430
18	IMPELLER “292” BRONZE	1		150843	150843	150843	150843	150843	150843	150843	150843
	IMPELLER “292” CAST IRON			NA	153998	NA	153998	NA	153998	NA	153998
19	FLANGE PKG 2” NPT	1		10-1305	10-1305	10-1305	10-1305	10-1305	10-1305	10-1305	10-1305
	FLANGE PKG 3” NPT			10-1306	10-1306	10-1306	10-1306	10-1306	10-1306	10-1306	10-1306
20	HOUSING, PUMP-MACH	1		001005	001005	001005	001005	001005	001005	001005	001005
21	• SCREW, #6-32X.25RHM SL TC STLGR	1		001877	001877	001877	001877	001877	001877	001877	001877
22	• SCREW, .25-20 X .75 HHM-SS	4		001916	001916	001916	001916	001916	001916	001916	001916
23	• SCREW, .313-18 X 1”HH CAP-SS	4		002608	002608	002608	002608	002608	002608	002608	002608
24	• SCREW, .5-13 X 2 HH CAP-SS	2		001909	001909	001909	001909	001909	001909	001909	001909
25	• WASHER, SS 1.25 OD X .562 LD X .078	2		002115	002115	002115	002115	002115	002115	002115	002115
26	• SCREW, #10-24 X.375 RHM-SL SS	1		001883	001883	001883	001883	001883	001883	001883	001883
27	• SCREW, .25-20X1” HHM-SS	4		007790	007790	007790	007790	007790	007790	007790	007790
28	• NUT, ACORN SS	1		004351	004351	004351	004351	004351	004351	004351	004351
29	• SPRING, BEARING PRELOAD	1		NA	NA	NA	NA	NA	NA	NA	NA
□	REBUILD KIT			019648	019648	019648	019648	019648	019648	019648	019648

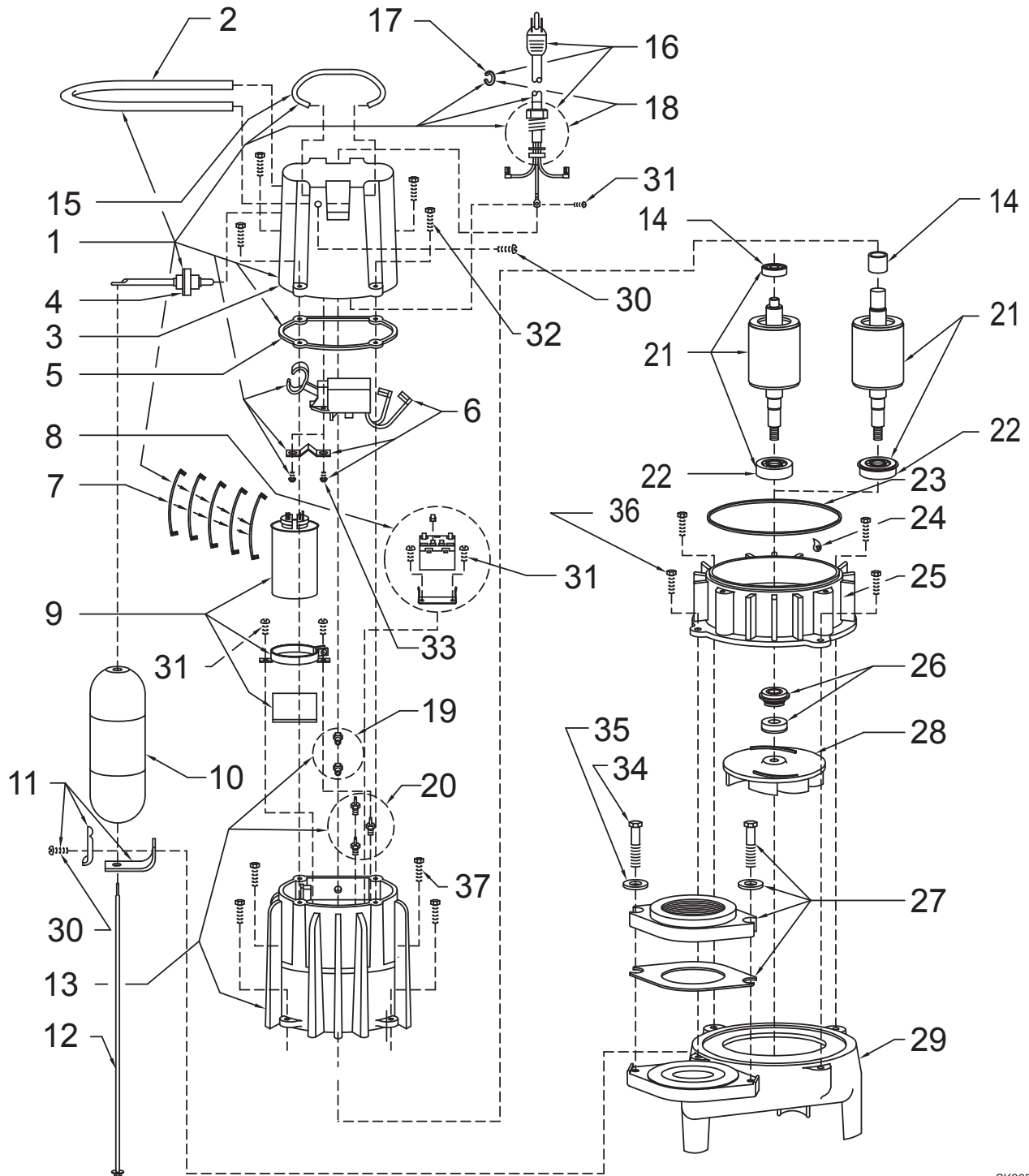
• Items included in Rebuild Kit.

□ Not shown in illustration.

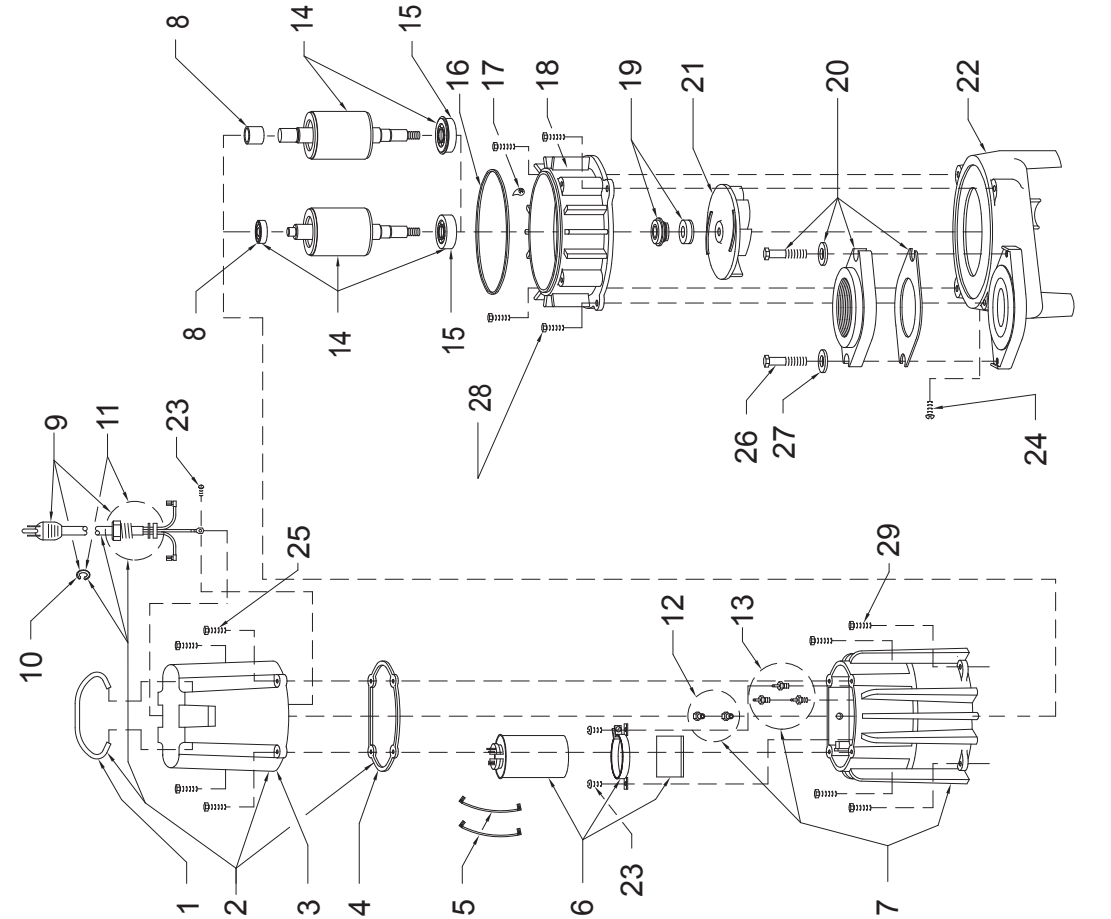
**NOTES:**

- 1) If an “X” follows Model No., or Date Mfg. on ID tag, consult factory for ordering of this part.
- 2) Mtr. Hsg., Stator & Term. (item 5) is preassembled at the factory and must be replaced as a unit. Stator is permanently attached to the motor housing. Plug (item 10), Seal thru Wall Term. (item 11) and Bearing-Upper (item 8) are replaceable.
- 3) See FM0160 Parts Price Sheet for listing of parts prices.
- 4) “NA” indicates, not applicable.
- 5) When ordering specify either General Electric or Emerson motor.

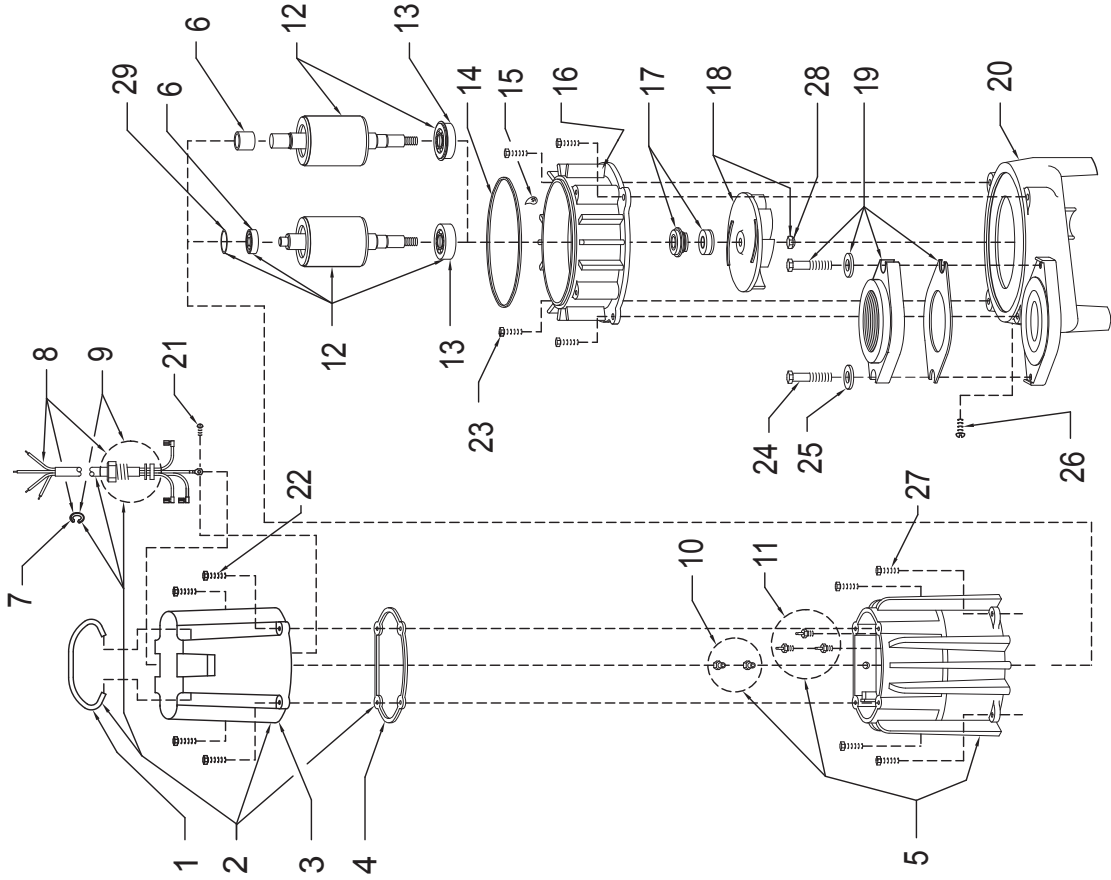
REPLACEMENT PARTS ILLUSTRATION FOR MODELS "M292", "D292" & "H292"



SK265



SKG25



SK1285