

Trusted. Tested. Tough.®

Product information presented here reflects conditions at time of publication. Consult factory regarding discrepancies or inconsistencies.



SECTION: 2.70.020

FM0787

1120

Supersedes

0418

MAIL TO: P.O. BOX 16347 • Louisville, KY 40256-0347
 SHIP TO: 3649 Cane Run Road • Louisville, KY 40211-1961
 TEL: (502) 778-2731 • 1 (800) 928-PUMP • FAX: (502) 774-3624

Visit our website:
 zoellerpumps.com

Z-RAIL® DISCONNECT SYSTEMS (1-1/4" - 3" NPT Discharge Pumps)

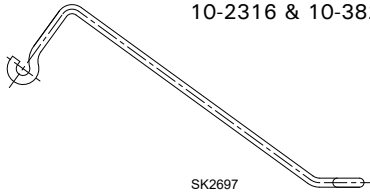


2" Z-Rail® Disconnect System

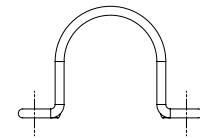
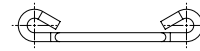
FEATURES

- Sewage, storm water and effluent pump systems
- For concrete, steel, or fiberglass tanks
- Allows for removal of pumps from ground level
- No confined space entry to service pump
- No pull rods or hold down rods
- Disconnect fitting with positive machine fit and o-ring seal provides a reliable seal.
- Seals up to 160 psi, supports a weight up to 300 lbs.
- Guide rails direct the pump to and from the disconnect fitting. Systems are supplied complete with disconnect fitting, guide plate, rail guide, and upper rail support bracket.
- All systems use 3/4" schedule 40 pipe rails (not included).

P/N 10-3560, 10-3561,
 10-2316 & 10-3829



P/N 10-0789



SK2486

SPECIFICATIONS

Rail System	Pump Discharge	Rail System Discharge	Materials of Construction*	Weight	Type
39-0134	1-1/4" V	2" V	powder coated, ductile iron	41	Z-Rail®
39-0135	1-1/4" V	2" V	powder coated, ductile iron w/ SS upper rail support bracket	43	Z-Rail®
39-0136	1-1/4" V	2" V	powder coated, ductile iron w/ brass for non-sparking	44	Z-Rail®
39-0143	1-1/4" V	2" V	powder coated, ductile iron w/ SS upper rail support/ brass for non-sparking	44	Z-Rail®
39-0137	1-1/4" H	1-1/4" V	powder coated, ductile iron (810/815 only)	41	Z-Rail®
39-0138	1-1/4" H	1-1/4" V	powder coated, ductile iron w/ SS upper rail support bracket (810/815 only)	43	Z-Rail®
39-0131	1-1/2" V	2" V	powder coated, ductile iron	41	Z-Rail®
39-0132	1-1/2" V	2" V	powder coated, ductile iron w/ SS upper rail support bracket	43	Z-Rail®
39-0133	1-1/2" V	2" V	powder coated, ductile iron w/ brass for non-sparking	44	Z-Rail®
39-0142	1-1/2" V	2" V	powder coated, ductile iron w/ SS upper rail support/ brass for non-sparking	43	Z-Rail®
39-0128	2" V	2" V	powder coated, ductile iron	42	Z-Rail®
39-0129	2" V	2" V	powder coated, ductile iron w/ SS upper rail support bracket	43	Z-Rail®
39-0130	2" V	2" V	powder coated, ductile iron w/ brass for non-sparking	45	Z-Rail®
39-0141	2" V	2" V	powder coated, ductile iron w/ SS upper rail support/ brass for non-sparking	44	Z-Rail®
39-0122	3" V	3" V	powder coated, ductile iron	47	Z-Rail®
39-0123	3" V	3" V	powder coated, ductile iron w/ SS upper rail support bracket	47	Z-Rail®
39-0124	3" V	3" V	powder coated, ductile iron / brass for non-sparking	47	Z-Rail®
39-0125	3" V	3" V	powder coated, ductile iron w/ SS upper rail support/ brass for non-sparking	47	Z-Rail®

ACCESSORIES

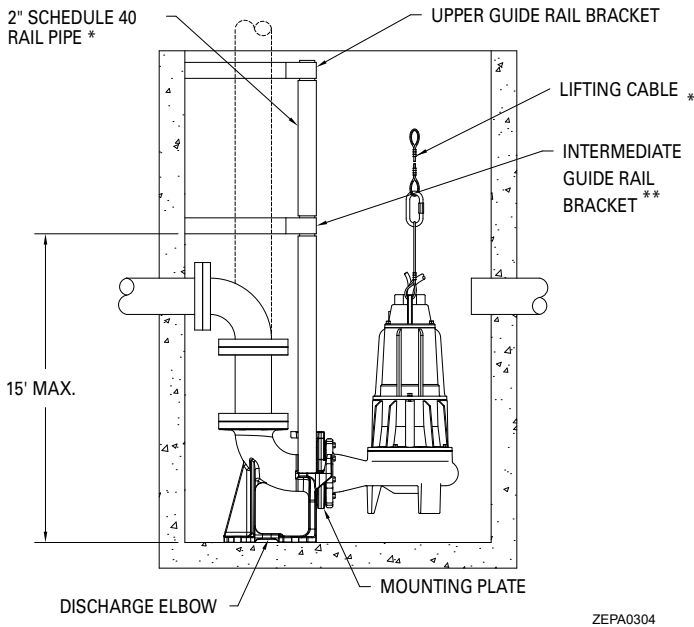
Intermediate rail brackets are required for each 12' of basin depth.

39-0139	intermediate rail bracket 1-1/4", 1-1/2" and 2" discharge - SS	4	Z-Rail®
39-0140	intermediate stabilizer, SS, for 3" system	4	Z-Rail®
** 10-3560	SS lifting bail for 50, 90 & 150 series	1	Z-Rail®
** 10-3561	SS lifting bail for 140 series	1	Z-Rail®
** 10-2316	SS lifting bail for 130, 260 & 270 series	1	Z-Rail®
** 10-3829	SS lifting bail for 803, 805 & 807 series	1	Z-Rail®
** 10-0789	SS lifting bail for 160, 180, 280, 290, 810/815 and 818/819/820 series (see above)	1	Z-Rail®

* Disconnect fitting, guide rail plate, rail guide and upper rail support bracket SS lifting bail for 160, 180, 280, 290, 810/815 and 818/819/820 series

** Lifting bails are required on these models to balance pump and rail plate evenly. Other models already include proper lifting device.

FLANGED RAIL SYSTEMS (3" & 4") - FIELD ASSEMBLED



Guide rail system is for removal and installation of flanged, horizontal discharge pumps without getting in or removing fluid from pit.

SPECIFICATIONS			
Part Number	Description	Pump Discharge	Guide Rails*
39-0094	3" guide rail system SS	3" horizontal flange	2" SS or galv.
39-0154	4" guide rail system SS bracket	4" horizontal flange	2" SS or galv.
39-0095	3" guide rail system SS non-sparking for Class I Group C and /or Group D Division 1 Installation	3" horizontal flange	2" SS or galv.
39-0155	4" guide rail system, non-sparking for class I Group C and/or Group D Division 1 Installation	4" horizontal flange	2" SS or galv.
39-0096	Intermediate bracket for 3" rail systems		
39-0014	Intermediate bracket for 4" rail systems (SS)		

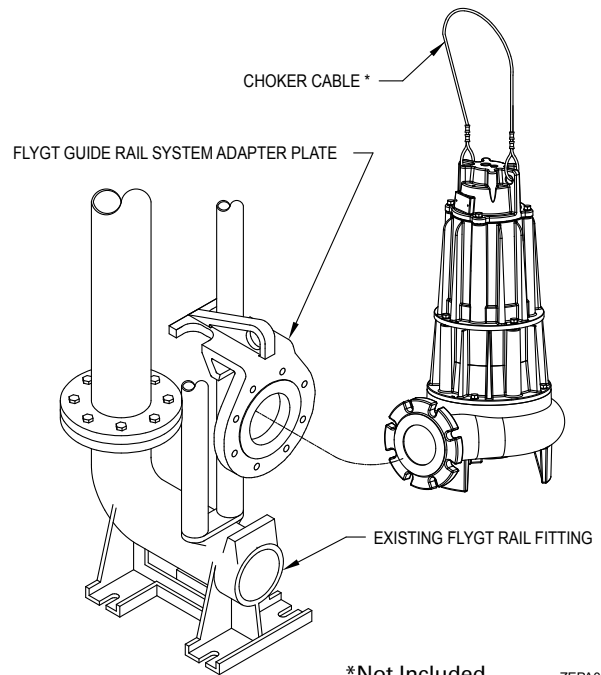
* Not included

** One intermediate guide rail bracket is required for every
 20 ft. for 3" system or
 15 ft. for 4" system, of basin depth. See chart for part number.

FLYGT GUIDE RAIL SYSTEM ADAPTERS

Adapter plates for retrofitting 3" & 4" horizontal ANSI flange discharge pumps to existing Flygt rail systems.

Pump Discharge	Part Number
3"	6039-0070
4"	6039-0048



DESIGN FEATURES:

Cast iron construction

Flange conforms to ANSI B16.10 fully flat. MSS SP-6

For use with all 400, 600 & 700 series pumps with 3" or 4" discharge and 2" rail pipe.

Flange gasket and stainless steel bolts included.

*Not Included

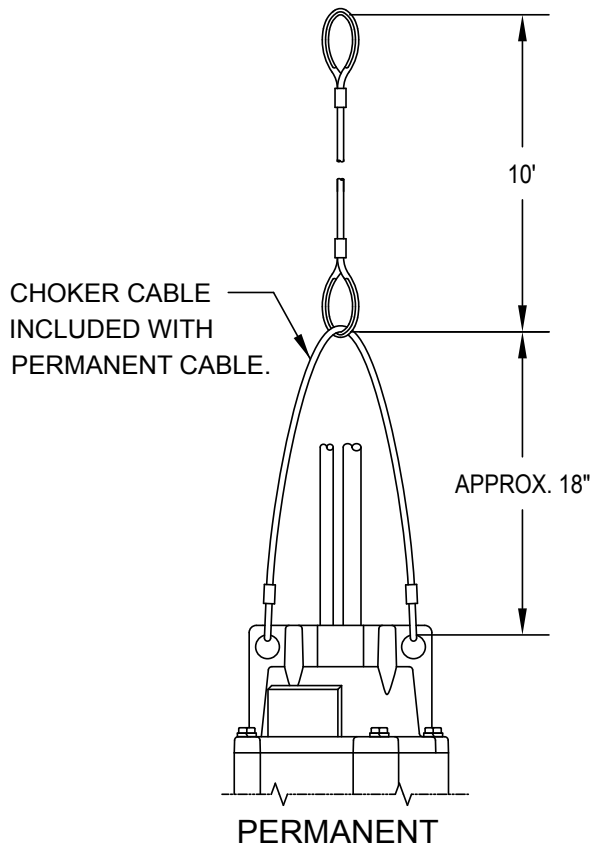
ZEPA0601

⚠ CAUTION

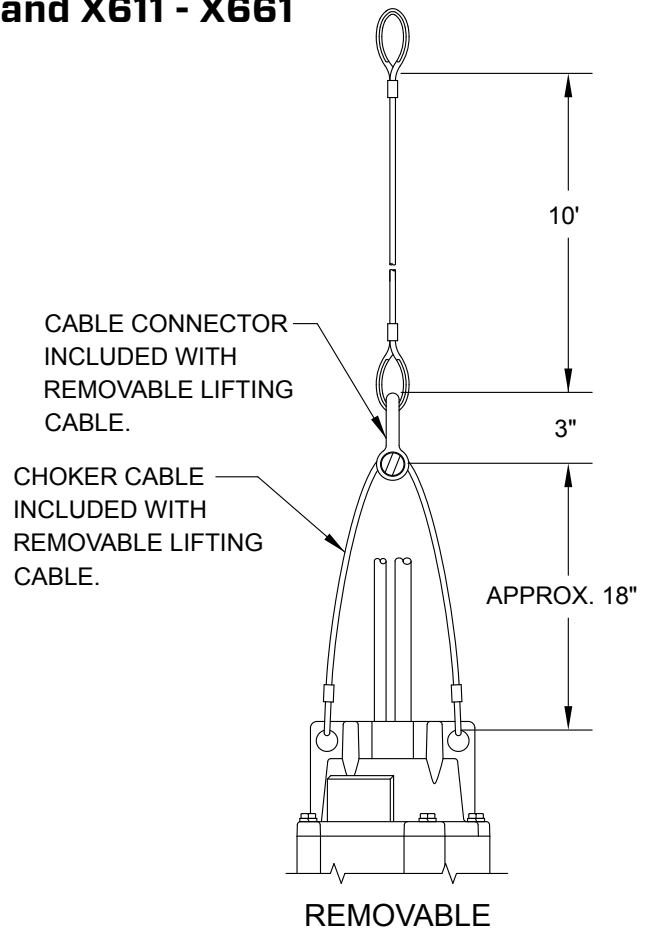
All installation of controls, protection devices and wiring should be done by a qualified licensed electrician. All electrical and safety codes should be followed including the most recent National Electrical Code (NEC) and the Occupational Safety and Health Act (OSHA).

PUMP LIFTING CABLES

Lifting Cables for Pump Model: 611 - 661 and X611 - X661



ZEPA0191A

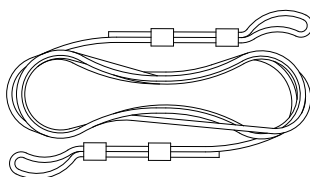


ZEPA0191B

P/N	Description	Material	Wt. Lbs.
6039-0026	Choker Cable	Stainless Steel	1
6039-0027	Choker Cable	Galvanized Steel	1
6039-0028	Permanent Cable 10'	Stainless Steel	4
6039-0029	Permanent Cable 10'	Galvanized Steel	4
6039-0030	Removable Cable 10'	Stainless Steel	5
6039-0031	Removable Cable 10'	Galvanized Steel	5
6039-0032	Permanent Cable 15'	Stainless Steel	6
6039-0061	Permanent Cable 25'	Stainless Steel	8
6039-0062	Permanent Cable 20'	Stainless Steel	7

Additional lengths available. Consult Factory.

Models: Non 600 Series Pumps



SKA1335

1/8" Stainless Steel Lifting Cable*

Part Number	Length
39-0031	8'
39-0032	12'
39-0033	16'
39-0034	20'
39-0035	24'

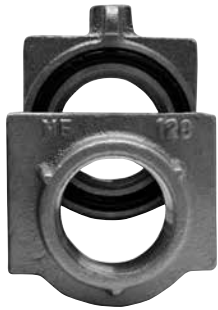
* Limited to 150 lbs.

DISCONNECT & RAIL SYSTEMS

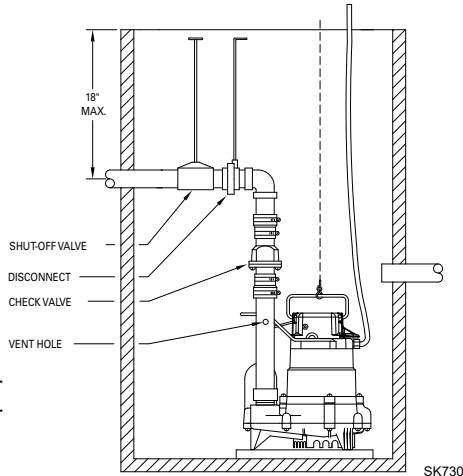
- Economical: reduces time and cost of removing pump.
- Safety: keeps personnel out of pits and out of contact with contaminants.
- Inspections made are fast and easy.

DISCONNECT ONLY (1-1/4", 1-1/2" & 2" Discharge)

Disconnect fitting: used for shallow systems where guide rails are not necessary. (pull rod not included)

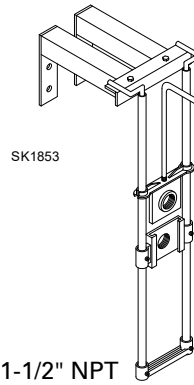


39-0053, 1-1/4" NPT
39-0001, 1-1/2" NPT
39-0002, 2" NPT

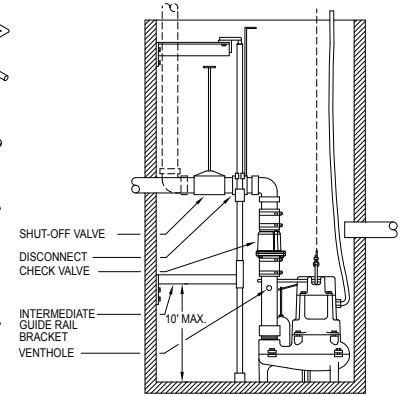


COMPLETE SYSTEMS (1-1/2" & 2" Discharge)

Rail and disconnect system for effluent or sewage pumps: used for removal and reinstallation of pumps without getting in or removing fluid from the pit. (2 standoffs included)

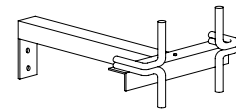


39-0003, 1-1/2" NPT
39-0004, 2" NPT
Pipe rails, pull rods and intermediate brackets not included.



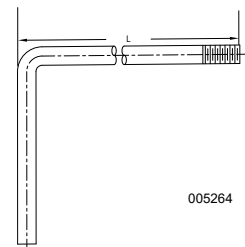
SK731

Intermediate Guide Rail Bracket
One intermediate guide rail bracket is required for every 10 feet of rail. Use 39-0022 with 39-0003 & 39-0004.



39-0022

SK1260



005264

Stainless Steel Pull Rods

3/8" - 16 UNC

Part Number	Length
39-0069	1'
39-0006	2-1/2'
39-0007	3-1/2'
39-0008	4-1/2'
39-0009	5-1/2'
39-0018	7'
39-0010	8'

SPECIFICATIONS

Part Number	39-0053	39-0001	39-0002	39-0003	39-0004
Pipe size	1-1/4" NPT	1-1/2" NPT	2" NPT	1-1/2" NPT	2" NPT
Disconnect material	brass	brass	brass	brass	brass
Disconnect weight	1.6 lbs.	2.0 lbs.	2.5 lbs.	10.1 lbs.	12 lbs.
Centerline of rails from wall-in 30" basin (minimum)	—	—	—	2.75"	2.75"
Travel to disengage	33/4"	3"	3-1/2"	3-3/8"	3-7/8"
Pressure rating	150 PSI	150 PSI	150 PSI	150 PSI	150 PSI
Pull rods thread size	3/8" - 16 UNC	3/8" - 16 UNC	3/8" - 16 UNC	3/8" - 16 UNC	3/8" - 16 UNC
Support weight	All pumps should be supported underneath with concrete blocks or basin floor.				
Guide rail size & material	—	—	—	3/4" IPS Pipe (S.S./Gal.) (recommended) or PVC Scd. 80 (optional). Supplied by customer.	