

Product information presented here reflects conditions at time of publication. Consult factory regarding discrepancies or inconsistencies.

MAIL TO: P.O. BOX 16347 • Louisville, KY 40256-0347  
 SHIP TO: 3649 Cane Run Road • Louisville, KY 40211-1961  
 TEL: (502) 778-2731 • 1 (800) 928-PUMP • FAX: (502) 774-3624

Visit our website:  
[zoellerpumps.com](http://zoellerpumps.com)

## REPLACEMENT PARTS LIST FOR MODELS:

**M268 AUTOMATIC 115V**  
**D268 AUTOMATIC 230V**  
**N268 NONAUTOMATIC 115V**  
**E268 NONAUTOMATIC 230V**

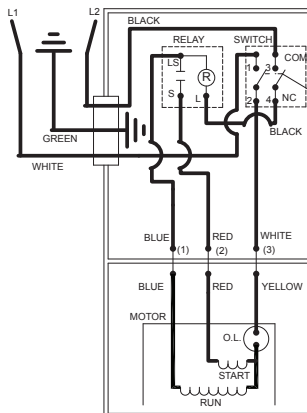
**H268 AUTOMATIC 200V/1PH**  
**I268 NONAUTOMATIC 200V/1PH**  
**J268 NONAUTOMATIC 200V/3PH**  
**F268 NONAUTOMATIC 230V/3PH**  
**G268 NONAUTOMATIC 460V/3PH**

Consult factory for all other models

### TO ORDER REPLACEMENT PARTS:

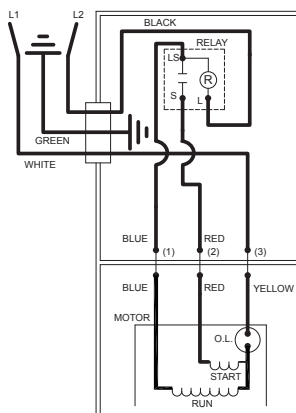
#### PLEASE FURNISH THE FOLLOWING INFORMATION:

- Model Number.
- Part Number of Pump.  
 (If manufactured prior to June 1988, give 2 letter date code following Model No.)
- Part Number and Description of part.



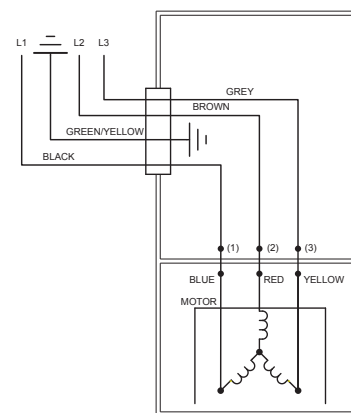
004620A

WIRING DIAGRAM FOR MODELS  
 "M-268-D", "D268-D"  
 and "H268-D"  
 7/91 to Current



002395A

WIRING DIAGRAM FOR MODELS  
 "N268-D", "E268-D"  
 and "I268-D"  
 7/91 to Current



006848

WIRING DIAGRAM FOR MODELS  
 "F268-C", "G268-C" and "J268-C"  
 10/92 to Current

# REPLACEMENT PARTS LIST FOR MODELS "M268" & "D268"

See page 7 for "M268" & "D268" illustration.

MODELS:				M268-D	D268-D
REF. NO.	DESCRIPTION	QTY	NOTES	7/91 thru Current	7/91 thru Current
1	Case & Switch Asm "130/260"	1	3	004739	004739
2	• Handle	1		267032	267032
3	Case-Mach "137/267/268"	1	3	004610	004610
4	• Gasket, Case/Cover	1		267007	267007
5	Relay Asm	1		002474	147135
6	• Wire Pkg (2) Wires	1		267014	267014
7	Housing, Mtr & Str GE	1	1,2	002475	002476
	Housing, Mtr & Str EMD	1	1,2	004003	005534
8	Cord Term & Seal Asm	1	3,4	094071	094072
9	• Seal, Cord-Asm & Strain Relief	1	3	094032	094032
10	Bearing, Upper Rotor	1		NA	NA
11	• Guard	1		267008	267008
12	• Arm & Seal Asm "130/260"	1	3	004741	004741
13	Switch Asm "130/260"	1	3	004740	004740
□	Lead Wire (Gray)	1		NA	NA
14	Float-Polypropylene	1		034019	034019
15	Rod, Float	1		147047	147047
16	Rotor Asm GE	1	2	267005	267005
	Rotor Asm EMD	1	2	004021	004021
17	• Seal, Mtr Hsg	1		267006	267006
18	• Washer, Trst-Nyl.875X.504X.050"	1		002140	002140
19	Housing, Pump-Mach "268"	1		003883	003883
20	• Seal Asm, Shaft-Blister Pak	1		267027	267027
21	Impeller "267/268"	1		150857	150857
22	Base-Mach "267/268"	1		008646	008646
23	Guide Asm, Flt Rod	1		004676	004676
24	Bearing, Sleeve-Lower Rotor	1		NA	NA
25	• Oil, Dielectric (24.5 Oz Can)	1		267056	267056
26	• Seal, Thru Wall Term	3		003402	003402
27	• Plug, Test-White	2	4	034090	034090
28	• Clamp, Strain Relief-Red	1	7	NA	NA
29	• Screw, .25-20 X .75 HHm-SS	9		001916	001916
30	• Screw, #10-24 X.375 RHM-SI SS	3		001883	001883
31	• Screw, #6-32x.438Rhsstp"1"Stlzi	2		004644	004644
32	• Screw, #6-32x.25RHM SI Tc Stlgr	3		001877	001877
33	• Screw, .25-20 X .875 HH SS	4		012491	012491
□	Rebuild Kit			004743	004743

• Items included in Rebuild Kit.

□ Not shown in illustration.

## NOTES:

- 1) Mtr. Hsg., Brg., Stator & Term (Item 7) are preassembled at the factory and must be replaced as a unit. Stator is permanently attached to the Motor Housing. Plug (Item 27); Seal, Thru Wall Term. (Item 26) and Bearing - Upper (Item 10) are replaceable.
- 2) When ordering Motor Housing, Bearing, Stator and Term. (Item 7) or Rotor (Item 16) specify either GE or Emerson motor. GE motor can be identified by (4) half oval slots spaced at 90° around the outside diameter of the stator. Emerson motor can be identified by (2) half oval slots spaced at 180° around the outside diameter of the stator.
- 3) When ordering these parts, customer must identify if switch is a General Electric switch.
- 4) If an "X" follows Model No., or Date Mfg. on brass ID tag, consult factory for ordering any parts.
- 5) See FM0160 Parts Price Sheet for listing of parts prices.
- 6) "NA" indicates, not applicable.
- 7) Clamp, Strain Relief (Item 28) is not sold separately, must order Seal, Cord Asm (Item 9).

# REPLACEMENT PARTS LIST FOR MODELS "N268" & "E268"

See page 8 for "N268" & "E268" illustration.

REF. NO.	DESCRIPTION	QTY	NOTES	MODELS:	
				N268-D	E268-D
				7/91 thru Current	7/91 thru Current
1	Cover & Handle Asm	1		267051	267051
2	• Handle	1		267032	267032
3	Cover-Mach	1		267052	267052
4	Retainer, HdL-Na	1		267053	267053
5	• Gasket, Case/Cover	1		267007	267007
6	Relay Asm	1		002474	147135
7	• Wire Pkg (2) Wires	1		267014	267014
8	Housing, Mtr & Str GE	1	1,2	002475	002476
	Housing, Mtr & Str EMD	1	1,2	004003	005534
9	Cord Term & Seal 15'/115V	1	3	153878	153879
10	• Seal, Cord-Asm & Strain Relief	1	3	094032	094032
11	Bearing, Upper Rotor	1		NA	NA
12	Rotor Asm GE	1	2	267005	267005
	Rotor Asm EMD	1	2	004021	004021
13	• Seal, Mtr Hsg	1		267006	267006
14	• Washer, Trst-Nyl.875X.504X.050"	1		002140	002140
15	Housing, Pump-Mach "268"	1		003883	003883
16	Bearing, Sleeve-Lower Rotor	1		NA	NA
17	• Oil, Dielectric (24.5 Oz Can)	1		267056	267056
18	• Seal Asm,Shaft-Blistar Pak	1		267027	267027
19	Impeller "267/268"	1		150857	150857
20	Base-Mach "267/268"	1		008646	008646
21	• Seal, Thru Wall Term	3		003402	003402
22	• Plug, Test-White	2	3	034090	034090
23	• Clamp, Strain Relief-Red	1	6	NA	NA
24	• Screw, .25-20 X .75 HHm-SS	13		001916	001916
25	• Screw, #10-24 X.375 RHM-SI SS	3		001883	001883
26	• Screw, #6-32x.25RHM SI Tc Stlgr	3		001877	001877
27	• Screw, .25-20 X .875 HH SS	4		012491	012491
☐	Rebuild Kit "130/260"			004743	004743

• Items included in Rebuild Kit.

☐ Not shown in illustration.

## NOTES:

- 1) Mtr. Hsg., Brg., Stator & Term (Item 8) are preassembled at the factory and must be replaced as a unit. Stator is permanently attached to the Motor Housing. Plug (Item 22); Seal, Thru Wall Term. (Item 21) and Bearing - Upper (Item 11) are replaceable.
- 2) When ordering Motor Housing, Bearing, Stator and Term. (Item 8) or Rotor (Item 12) specify either GE or Emerson motor. GE motor can be identified by (4) half oval slots spaced at 90° around the outside diameter of the stator. Emerson motor can be identified by (2) half oval slots spaced at 180° around the outside diameter of the stator.
- 3) If an "X" follows Model No., or Date Mfg. on brass ID tag, consult factory for ordering any parts.
- 4) See FM0160 Parts Price Sheet for listing of parts prices.
- 5) "NA" indicates, not applicable.
- 6) Clamp, Strain Relief (Item 23) is not sold separately, must order Seal, Cord Asm (Item 10).

# REPLACEMENT PARTS LIST FOR MODEL "H268"

See page 7 for "H268" illustration.

MODEL: H268-D			
REF. NO.	DESCRIPTION	QTY	NOTES
1	Case & Switch Asm	1	
2	• Handle	1	
3	Case-Mach	1	
4	• Gasket, Case/Cover	1	
5	Relay Asm	1	
6	• Wire Pkg (2) Wires	1	
7	Housing, Mtr & Str	1	1 & 2
8	Cord Term & Seal Asm	1	
9	• Seal, Cord-Asm & Strain Relief	1	
10	Bearing, Upper Rotor	1	N/A
11	• Guard	1	
12	• Arm & Seal Asm	1	
13	Switch Asm	1	
14	Float, Polypropylene	1	
15	Rod, Float-Molded	1	
16	Rotor Asm	1	2
17	• Seal, Mtr Hsg	1	
18	• Washer, Trst-Nyl.875X.504X.050"	1	
19	Housing, Pump-Mach	1	
20	• Seal Asm, Shaft	1	
21	Impeller "268"	1	
22	Base-Mach	1	
23	Guide Asm, Float Rod	1	
24	Bearing, Sleeve-Lower Rotor	1	N/A
25	• Oil, Dielectric (24.5 oz)	1	
26	• Seal, Thru Wall Term	3	
27	• Plug, Test-White	2	
28	• Clamp, Strain Relief	1	
29	• Screw, .25-20X.75 HHM-SS	9	
30	• Screw, #10-24X.37RHM-SL SS	3	
31	• Screw, #6-32X.438RH PH TP PE 23	2	
32	• Screw, #6-32X.25RHM SLTC STLGR	3	
33	• Screw, .25-20X.875"LG HH SS	4	
☐	Rebuild Kit	1	

• Items included in Rebuild Kit.

☐ Not shown in illustration.

## NOTES:

- 1) Motor housing, bearing, stator & terminal are preassembled at the factory and must be replaced as a unit. Stator is permanently attached to motor housing. Plug, test-white and seal, thru wall terminal are replaceable.
- 2) When ordering motor housing, bearing, stator and terminal, or rotor and bearing, specify either GE or Emerson motor.
- 3) See FMO160 parts price sheet for listing of parts prices.

# REPLACEMENT PARTS LIST FOR MODEL "I268"

See page 8 for "I268" illustration.

MODEL: I268-D				
REF. NO.	DESCRIPTION	QTY	NOTES	10/92 thru Current
1	Cover & Handle Asm	1		267051
2	* Handle	1		267032
3	Cover-Mach	1		267052
4	Retainer, HDL-NA	1		267053
5	* Gasket, Case/Cover	1		267007
6	Relay Asm	1		001536
7	* Wire Pkg (2) Wires	1		267014
8	Housing, Mtr & Str	1	1 & 2	003781
9	Cord Term & Seal Asm	1		007071
10	* Seal, Cord-Asm & Strain Relief	1		011626
11	Bearing, Upper Rotor	1		N/A
12	Rotor Asm	1	2	267005
13	* Seal, Mtr Hsg	1		267006
14	* Washer, Trst-Nyl.875X.504X.050"	1		002140
15	Housing, Pump-Mach	1		003883
16	Bearing, Sleeve-Lower Rotor	1		N/A
17	* Oil, Dielectric (24.5 oz)	1		267056
18	* Seal Asm, Shaft	1		267027
19	Impeller "268"	1		150857
20	Base-Mach	1		008646
21	* Seal, Thru Wall Term	3		003402
22	* Plug, Test-White	2		034090
23	* Clamp, Strain Relief	1		001770
24	* Screw, .25-20X.75 HHM-SS	4		001916
25	* Screw, #10-24X.37RHM-SL SS	2		001833
26	* Screw, #6-32X.25RHM SLTC STLGR	3		001877
28	* Screw, .25-20X.875"LG HH SS	4		012491
☐	Rebuild Kit	1		004743

\* Items included in Rebuild Kit.

☐ Not shown in illustration.

## NOTES:

- 1) Motor housing, bearing, stator & terminal are preassembled at the factory and must be replaced as a unit. Stator is permanently attached to motor housing. Plug, test-white and seal, thru wall terminal are replaceable.
- 2) When ordering motor housing, bearing, stator and terminal, or rotor and bearing, specify either GE or Emerson motor.
- 3) See FMO160 parts price sheet for listing of parts prices.

# REPLACEMENT PARTS LIST FOR MODEL “F268”, “G268” and “J268”

See page 8 for illustrations.

REF. NO.	DESCRIPTION	QTY	NOTES	MODELS: F268-C		
				10/92 thru Current	G268-C	J268-C
1	Cover & Handle Asm	1		267051	267051	267051
2	• Handle	1		267032	267032	267032
3	Cover-Mach	1		267052	267052	267052
4	Gasket, Case/Cover	1		267007	267007	267007
5	Housing, Mtr & Str	1	1 & 2	004966	009510	009511
6	Bearing, Upper Rotor	1		N/A	N/A	N/A
7	• Clamp, Strain Relief	1		001770	001770	001770
8	Cordage Term & Seal	1		003761	003761	003761
9	• Seal, Cord-Asm & Strain Relief	1		094032	094032	094032
10	• Plug, Test-White	2		034090	034090	034090
11	• Seal, Thru Wall Term	3		003402	003402	003402
12	Retainer, HDL-NA	2		267053	267053	267053
13	• Screw, #10-24X.375 RHM-SL SS	3		001883	001883	001883
14	• Screw, .25-20X.75 HHM-SS	9		001916	001916	001916
15	Rotor Asm	1	2	009506	009506	009506
16	• Washer, Trst-Nyl.875X.504X.050"	1		002140	002140	002140
17	• Seal, Mtr Hsg	1		267006	267006	267006
18	• Oil, Dielectric (24.5 oz)	1		267056	267056	267056
19	Housing, Pump-Mach	1		003883	003883	003883
20	• Seal Asm, Shaft	1		267027	267027	267027
21	Impeller "268"	1		009884	009884	009884
22	Base-Mach	1		008646	008646	008646
23	Bearing, Sleeve-Lower Rotor	1		N/A	N/A	N/A
24	Nut 5/16-24 Acorn	1		004348	004348	004348
25	• Screw, #6-32X.25RHM SL TC STLGR	3		001877	001877	001877
26	• Screw, .25-20X.875"LG HH SS	4		012491	012491	012491
☐	Rebuild Kit	1		004743	004743	004743

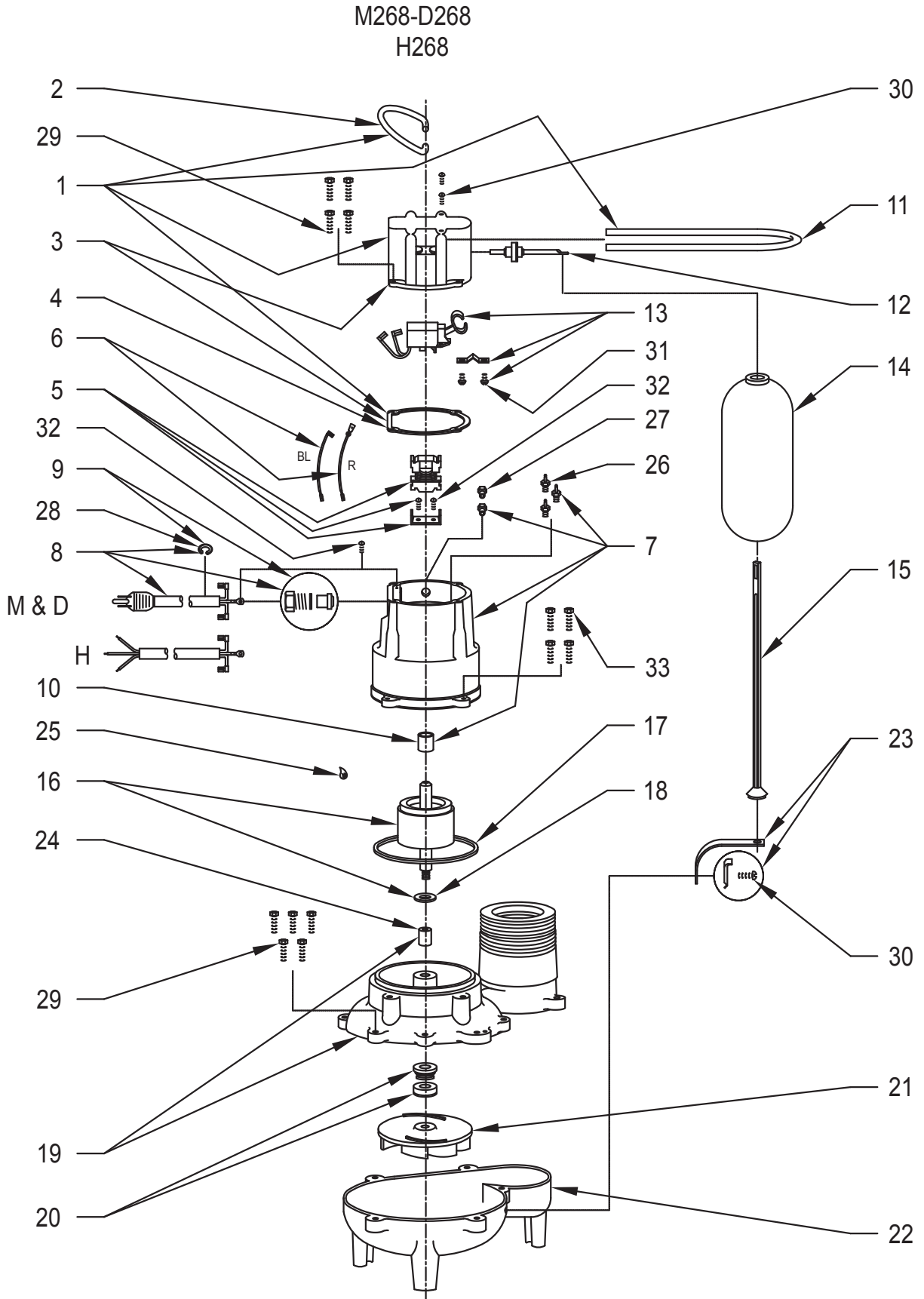
• Items included in Rebuild Kit.

☐ Not shown in illustration.

## NOTES:

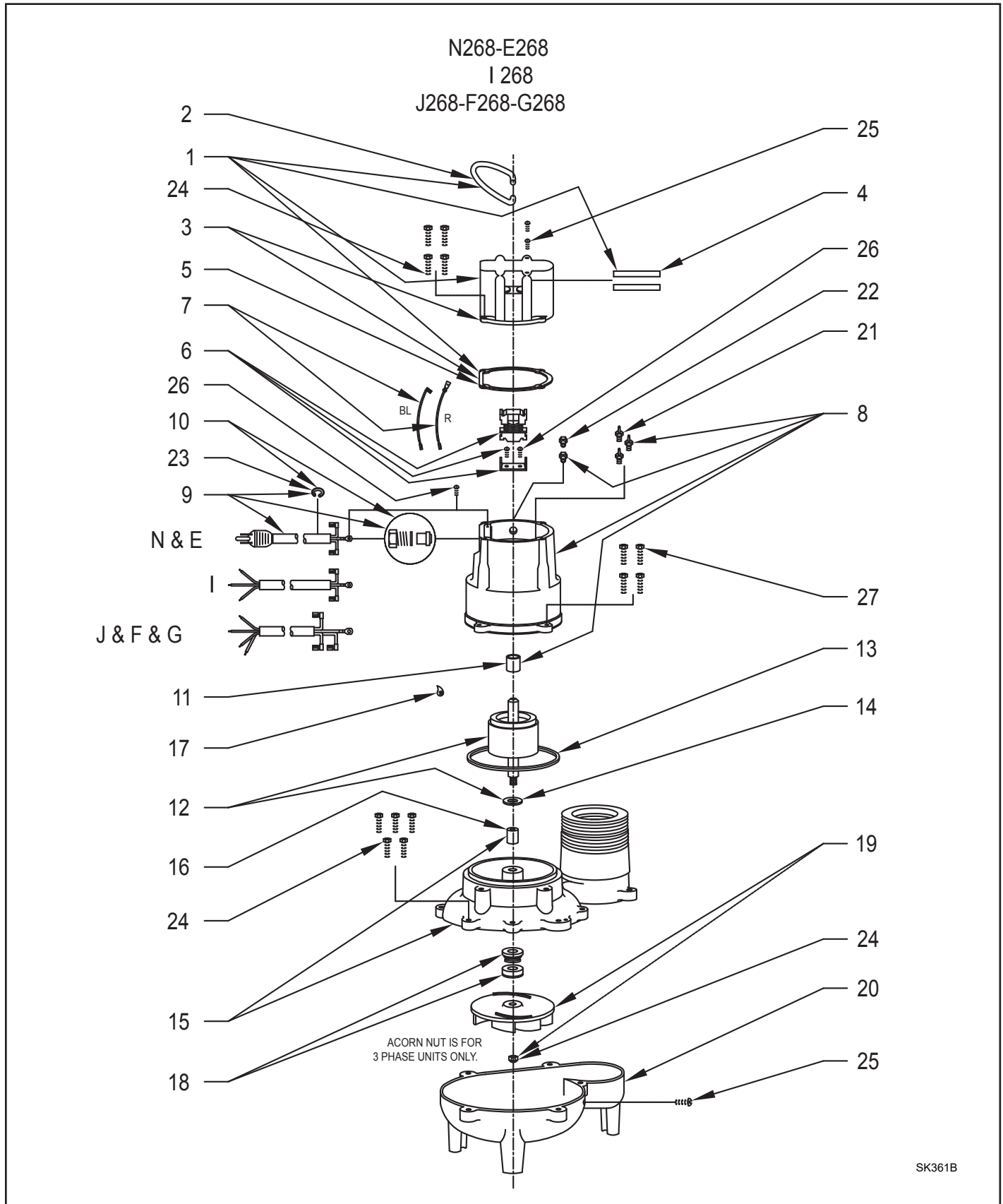
- 1) Motor housing, bearing, stator & terminal are preassembled at the factory and must be replaced as a unit. Stator is permanently attached to motor housing. Plug, test-white and seal, thru wall terminal are replaceable.
- 2) When ordering motor housing, bearing, stator and terminal, or rotor and bearing, specify either GE or Emerson motor.
- 3) See FMO160 parts price sheet for listing of parts prices.

REPLACEMENT PARTS ILLUSTRATION FOR MODELS "M268", "D268" and "H268"



SK361A

REPLACEMENT PARTS ILLUSTRATION FOR MODELS "N268", "E268", "I268", "J268", "F268" and "G268"



MAIL TO: P.O. BOX 16347 • Louisville, KY 40256-0347  
SHIP TO: 3649 Cane Run Road • Louisville, KY 40211-1961  
(502) 778-2731 • 1 (800) 928-PUMP • FAX (502) 774-3624

Trusted. Tested. Tough.®

Visit our website:  
zoellerpumps.com