

Product information presented here reflects conditions at time of publication. Consult factory regarding discrepancies or inconsistencies.

MAIL TO: P.O. BOX 16347 • Louisville, KY 40256-0347
 SHIP TO: 3649 Cane Run Road • Louisville, KY 40211-1961
 TEL: (502) 778-2731 • 1 (800) 928-PUMP • FAX: (502) 774-3624

Visit our website:
 zoellerpumps.com

REPLACEMENT PARTS LIST FOR MODELS:

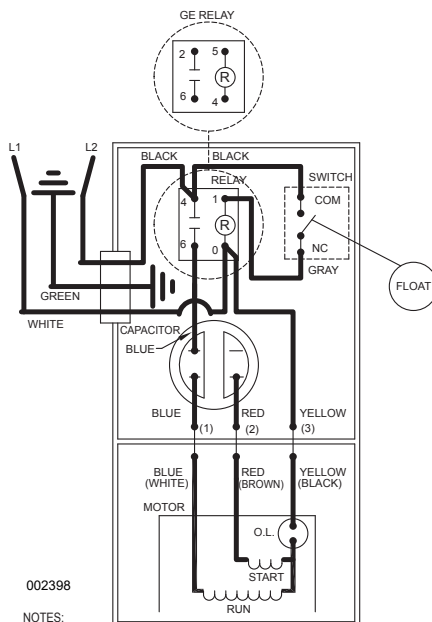
D284 AUTOMATIC 230V E284 NONAUTOMATIC 230V

Consult factory for all other models

TO ORDER REPLACEMENT PARTS:

PLEASE FURNISH THE FOLLOWING INFORMATION:

- Model Number.
- Part Number of Pump.
 (If manufactured prior to June 1988, give 2 letter date code following Model No.)
- Part Number and Description of part.

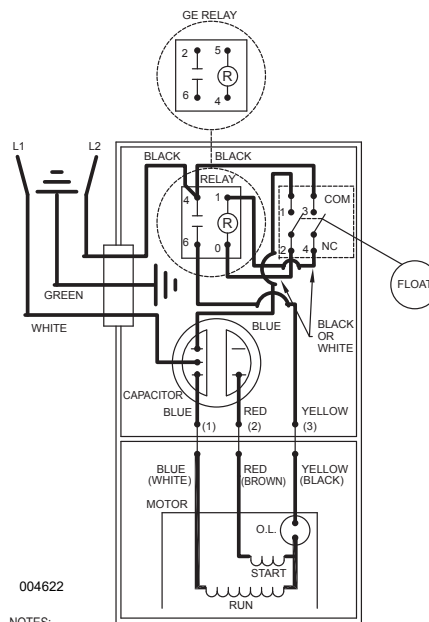


002398

NOTES:

INSULATORS REQUIRED ON GE RELAY TERMINALS 2 & 5;
 OMRON RELAY TERMINALS 1 & 4.

WIRING DIAGRAM FOR MODELS
 "D284-A"
 11/81 (XM) thru 8/86 (US)

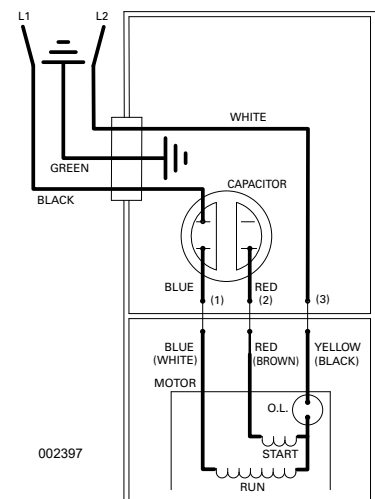


004622

NOTES:

INSULATORS REQUIRED ON GE RELAY TERMINALS 2 & 5;
 OMRON RELAY TERMINALS 1 & 4.

WIRING DIAGRAM FOR MODELS
 "D284-B"
 9/86 (VS) thru Current



002397

WIRING DIAGRAM FOR MODELS
 "E284-A", "E284-B", "E284-C", and "E284-D"
 11/81 (XM) thru Current

REPLACEMENT PARTS LIST FOR MODEL "D284"

See back page for "D284" illustration.

REF. NO.	DESCRIPTION	QTY	NOTES	MODELS:				
				D284-A	D284-B	D284-C	D284-D	D284-E
				11/81 XM thru 8/86 US	9/86 VS thru 12/92	1/93 thru 5/10	6/10 thru 1/16	2/16 thru Current
1	Case Switch & Cd/230V/1Ph"284"	1	2, 3	003171	004847	004847	004847	004847
2	• Guard	1		001023	001023	001023	001023	001023
3	Case-Mach "160/180/280/290"	1	2, 3	004847	004614	004614	004614	004614
4	• Arm & Seal Asm "160/180/290"	1	2	002379	004745	004745	004745	004745
5	• Gasket,Case/Cover	1		001011	001011	001011	001011	001011
6	Switch Asm "160/180/290"	1	2	002380	004744	004744	004744	004744
▣	Lead Wire (Gray)	1		002609	NA	NA	NA	NA
7	• Wire Pkg (5) Wires	1		001070	004749	004749	004749	004749
8	Relay 230V	1		217093	217093	217093	217093	153833
9	Capacitor & Clamp Asm	1		002381	002381	002381	002381	002381
10	Float,Plastic	1		094039	094039	094039	094039	094039
11	Guide Asm,Flt Rod	1		094048	094048	094048	094048	094048
12	Rod Asm,Flt	1		001043	001043	001043	150438	150438
13	Housing,Mtr-& Str 230V/1Ph 284	1	1, 6	003175	003175	003175	150957	150957
14	Bearing,Sleeve	1		001012	001012	001012	NA	NA
	• Bearing, Radial	1		NA	NA	NA	006703	006703
15	• Handle	1		217069	217069	217069	217069	217069
16	Cord Term & Seal Asm 230V	1	2, 3	217043	094072	094072	094072	094072
17	Clamp,Strain Relief-Red	1	3, 7	NA	NA	NA	NA	NA
18	• Seal,Cord-Asm & Strain Relief	1	3	094032	094032	094032	094032	094032
19	• Plug,Test-White	2		034090	034090	034090	034090	034090
20	• Seal,Thru Wall Term	3		003402	003402	003402	003402	003402
21	Rotor & Brg 230V/1Ph	1	6	003176	003176	008581	150878	150878
22	• Bearing,Lower Rotor	1		094106	094106	001013	010069	010069
23	• Seal,Mtr Hsg	1		001014	001014	001014	001014	001014
24	• Oil,Dielectric	1		003168	003168	003168	011066	011066
25	Adapter-Mach "280"	1		002357	002357	001003	001003	001003
26	Seal,Shaft "282","284"	1		002946	002946	002946	002946	002946
27	Flange Pkg 2"Npt	1		10-1305	10-1305	10-1305	10-1305	10-1305
	Flange Pkg 3"Npt	1		10-1306	10-1306	10-1306	10-1306	10-1306
28	Impeller "284"	1		002999	002999	002999	002999	002999
29	Housing,Pump-Mach	1		217012	217012	217012	217012	217012
30	• Screw,#10-24 X.375 RHM-SI SS	2		001883	001883	001883	001883	001883
31	• Screw,#6-32X.25RHM SI Tc Stlgr	4		001877	001877	001877	001877	001877
32	• Screw, .25-20 X .75 HHm-SS	4		001916	001916	001916	001916	001916
33	• Screw,#6-32X.438Rhs1tp"1"Stlzi	2		001877	004644	004644	004644	004644
34	• Screw, .5-13 X 2 HH Cap-SS	2		001909	001909	001909	001909	001909
35	• Washer,SS-1.25"Odx.562"ldx.078	2		002115	002115	002115	002115	002115
36	• Screw, .313-18 X 1"HH Cap-SS	4		002608	002608	002608	002608	002608
37	• Screw, .25-20X1" HHm-SS	4		007790	007790	007790	007790	007790
▣	Rebuild Kit "280"	1		003170	004758	007980	019647	019647

- Items included in Rebuild Kit.
- ▣ Not shown in illustration.

NOTES:

- 1) Mtr. Hsg., Brg., Stator & Term. (Item 13) are preassembled at the factory and must be replaced as a unit. Stator is permanently attached to the motor Housing. Plug (Item 19); Seal, Thru Wall Term. (Item 20) and Bearing - Upper (Item 14) are replaceable.
- 2) When ordering these parts, customer must identify if switch is a General Electric switch.
- 3) If an "X" follows Model No., or Date Mfg. on brass ID tag, consult factory for ordering any parts.
- 4) See FM0160 Parts Price Sheet for listing of parts prices.
- 5) "NA" indicates, not applicable.
- 6) When ordering Motor Housing, Bearing, Stator and Term. (Item 13) or Rotor (Item 21) specify either GE or Emerson motor. GE motor can be identified by (4) holes spaced at 90° around the outside diameter of the stator. Emerson motor can be identified by (4) flat edges spaced at 90° around the outside diameter of the stator.
- 7) Clamp, Strain Relief (Item 17) is not sold separately, must order Seal, Cord Asm (Item 18).

REPLACEMENT PARTS LIST FOR MODEL "E284".

See back page for "E284" illustration.

MODELS:				E284-A	E284-B	E284-C	E284-D
REF. NO.	DESCRIPTION	QTY	NOTES	11/81 XM thru 8/86 US	9/86 VS thru 12/92	1/93 thru 5/10	6/10 thru Current
1	Cover & Cord 230V/1 Ph "280"	1	3	003174	003174	003174	003174
2	Cover - Mach	1	3	001077	001077	001077	001077
3	• Gasket, Case/Cover	1		001011	001011	001011	001011
4	• Wire Pkg	1		001070	001070	001070	001070
5	Capicitor & Clamp Asm	1		002381	002381	002381	002381
6	Housing,Mtr-& Str 230V/1Ph 284	1	1, 2	003175	003175	003175	150957
7	Bearing,Sleeve	1		001012	001012	001012	NA
	• Bearing, Radial	1		NA	NA	NA	006703
8	• Handle	1		217069	217069	217069	217069
9	Cord Term & Seal Asm 230V	1	3	153879	153879	153879	153879
10	Clamp,Strain Relief-Red	1	3, 6	NA	NA	NA	NA
11	• Seal,Cord-Asm & Strain Relief	1	3	094032	094032	094032	094032
12	• Plug,Test-White	2		034090	034090	034090	034090
13	• Seal,Thru Wall Term	3		003402	003402	003402	003402
14	Rotor & Brg 230V/1Ph	1	2	003176	003176	008581	150878
15	• Bearing,Lower Rotor	1		094106	094106	001013	010069
16	• Seal,Mtr Hsg	1		001014	001014	001014	001014
17	• Oil,Dielectric	1		003168	003168	003168	011066
18	Adapter-Mach "280"	1		002357	002357	001003	001003
19	Seal,Shaft "282","284"	1		002946	002946	002946	002946
20	Flange Pkg 2"Npt	1		10-1305	10-1305	10-1305	10-1305
	Flange Pkg 3"Npt	1		10-1306	10-1306	10-1306	10-1306
21	Impeller "284"	1		002999	002999	002999	002999
22	Housing,Pump-Mach	1		217012	217012	217012	217012
23	• Screw,#6-32X.25RHM SI To Stlgr	4		001877	001877	001877	001877
24	• Screw,#10-24 X.375 RHM-SI SS	2		001883	001883	001883	001883
25	• Screw,.25-20 X .75 HHm-SS	4		001916	001916	001916	001916
26	• Screw,.5-13 X 2 HH Cap-SS	2		001909	001909	001909	001909
27	• Washer,SS-1.25"Odx.562"Idx.078	2		002115	002115	002115	002115
28	• Screw,.313-18 X 1"HH Cap-SS	4		002608	002608	002608	002608
29	• Screw,.25-20X1" HHm-SS	4		007790	007790	007790	007790
▣	Rebuild Kit "280"	1		003170	003170	007980	019648

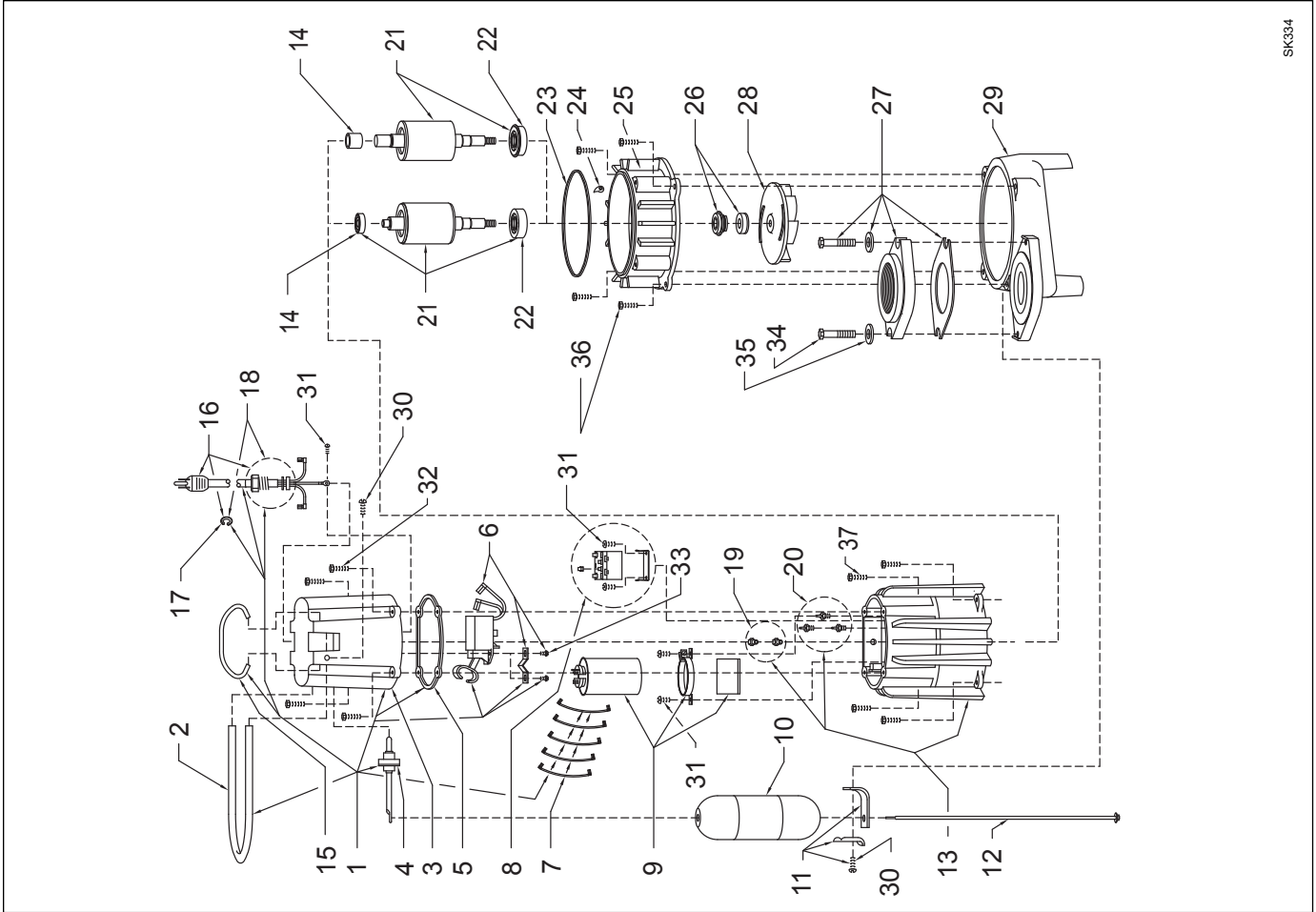
• Items included in Rebuild Kit.

▣ Not shown in illustration.

NOTES:

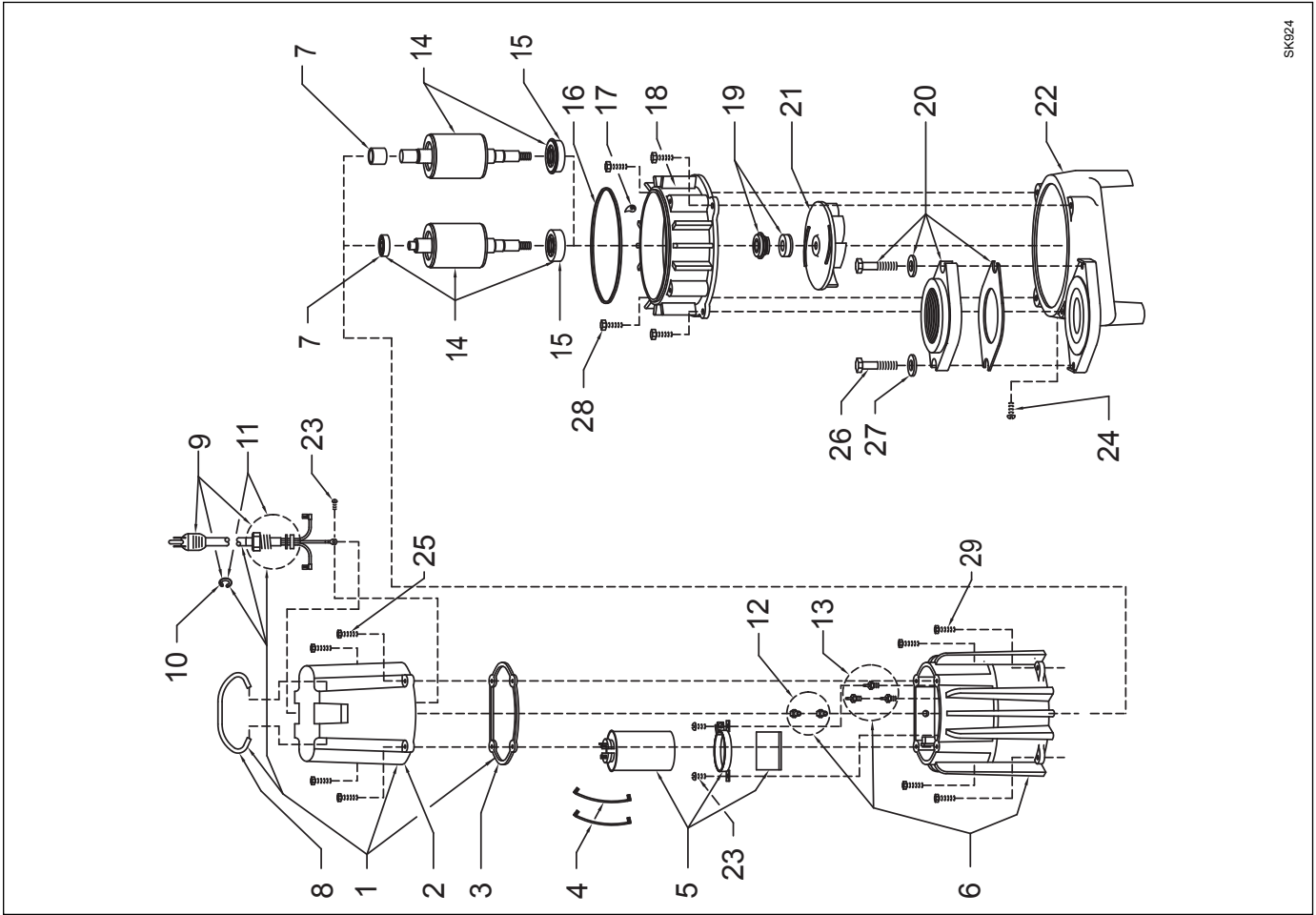
- 1) Mtr. Hsg., Brg., Stator & Term. (Item 6) are preassembled at the factory and must be replaced as a unit. Stator is permanently attached to the Motor Housing. Plug (Item 12); Seal, Thru Wall Term. (Item 13) and Bearing - Upper (Item 7) are replaceable.
- 2) When ordering Motor Housing, Bearing, Stator and Term. (Item 6) or Rotor (Item 14) specify either GE or Emerson motor. GE motor can be identified by (4) holes spaced at 90° around the outside diameter of the stator. Emerson motor can be identified by (4) flat edges spaced at 90° around the outside diameter of the stator.
- 3) If an "X" follows Model No., or Date Mfg. on brass ID tag, consult factory for ordering any parts.
- 4) See FM0160 Parts Price Sheet for listing of parts prices.
- 5) "NA" indicates, not applicable.
- 6) Clamp, Strain Relief (Item 10) is not sold separately, must order Seal, Cord Asm (Item 11).

REPLACEMENT PARTS ILLUSTRATION FOR MODEL "D284"



SK334

REPLACEMENT PARTS ILLUSTRATION FOR MODEL "E284"



SK924