

Product information presented here reflects conditions at time of publication. Consult factory regarding discrepancies or inconsistencies.

MAIL TO: P.O. BOX 16347 • Louisville, KY 40256-0347
 SHIP TO: 3649 Cane Run Road • Louisville, KY 40211-1961
 Tel: (502) 778-2731 • 1 (800) 928-PUMP

Visit our website:
 zoellerpumps.com

REPLACEMENT PARTS LIST

FOR MODELS:

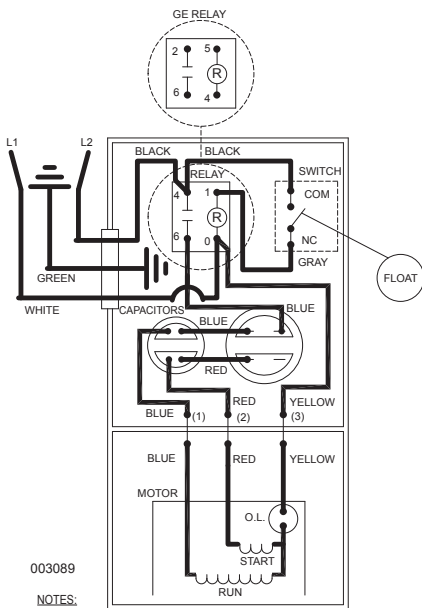
M163 AUTOMATIC 115V

D163 AUTOMATIC 230V

N163 NONAUTOMATIC 115V

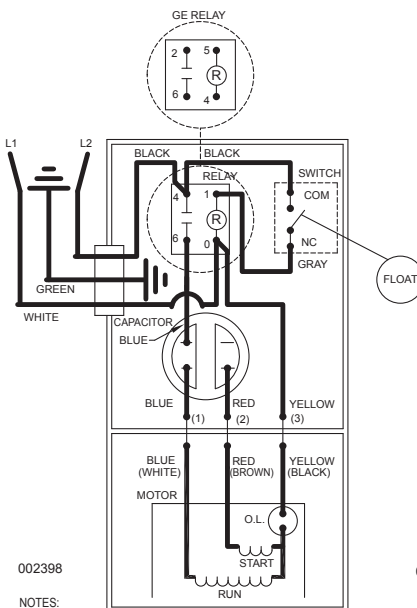
E163 NONAUTOMATIC 230V

Consult factory for all other Models



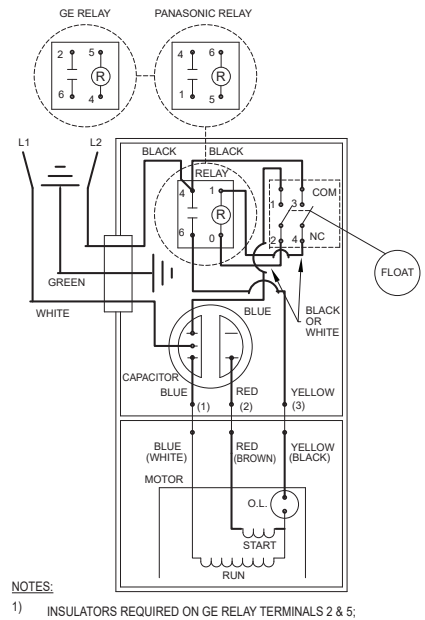
INSULATORS REQUIRED ON GE RELAY TERMINALS 2 & 5;
 OMRON RELAY TERMINALS 1 & 4.

WIRING DIAGRAM FOR MODELS
 "M163-A"
 4/81 (PM) thru 12/82 (YN)



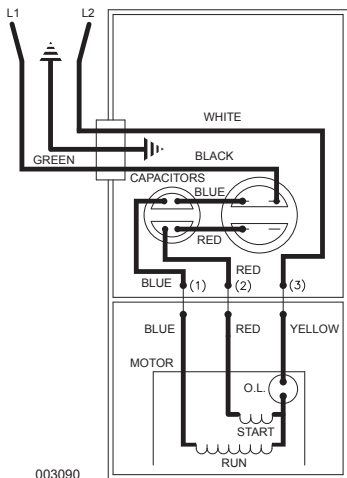
INSULATORS REQUIRED ON GE RELAY TERMINALS 2 & 5;
 OMRON RELAY TERMINALS 1 & 4.

WIRING DIAGRAM FOR MODELS
 "M163-B" and "M163-C"
 "D163-A", "D163-B", "D163-C"
 1/83 (MO) thru 8/86 (US)

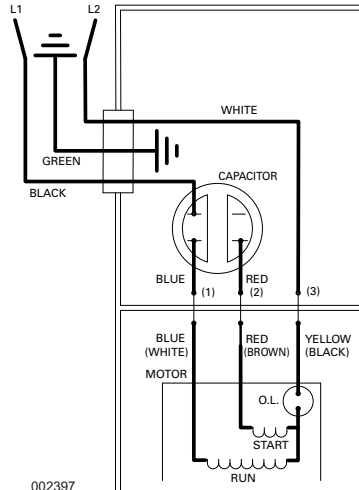


1) INSULATORS REQUIRED ON GE RELAY TERMINALS 2 & 5;
 OMRON RELAY TERMINALS 1 & 4.
 PANASONIC RELAY TERMINALS 6 & 4.

WIRING DIAGRAM FOR MODELS
 "M163-D" and "D163-D"
 9/86 (VS) to current



WIRING DIAGRAM FOR MODELS
 "N163-A"
 "E163-A"
 4/81 (PM) thru 12/82 (YN)



WIRING DIAGRAM FOR MODELS
 "N163-B" thru "N163-H"
 "E163-B" thru "E163-E"
 1/83 (MD) to current

TO ORDER REPLACEMENT PARTS:

PLEASE FURNISH THE FOLLOWING INFORMATION:

- Model Number.
- Part Number of Pump.
 (If manufactured prior to June 1988, give 2 letter date code following Model No.)
- Part Number and Description of part.

REPLACEMENT PARTS LIST FOR MODELS "M163"

See page 6 for "M163" illustration.

REF. NO.	DESCRIPTION	QTY	NOTES	MODELS: M163-A									M163-B	M163-C	M163-D	M163-E	M163-F	M163-G	M163-H	M163-J
				4/81 PM thru 12/82 YN	1/83 MO thru 1/85 MR	2/85 NR thru 8/86 US	9/86 VS thru 7/90	8/90 thru 9/98	10/98 thru 4/03	5/03 thru 11/09	12/09 thru 1/16	2/16 thru Current								
1	CASE, SW. & CORD	1	3,4	002506	002506	002506	004746	006292	006292	014155	014155	014155								
2	• HANDLE	1		217069	217069	217069	217069	217069	217069	217069	217069	217069								
3	CORD, TERM & SEAL	1	3,4	002507	002507	002507	002507	006290	006290	014168	014168	014168								
4	CLAMP, STRAIN RELIEF	1		001770	001770	001770	001770	NA	NA	013764	013764	013764								
5	• SEAL, CORD-ASM & STR RLF T&B 14GA	1		094032	094032	094032	094032	004375	004375	015634	015634	015634								
6	CASE-MACH "189/295"	1	3,4	004746	004746	004746	004614	004633	004633	014154	014154	014154								
7	• GUARD	1		001023	001023	001023	001023	001023	001023	001023	001023	001023								
8	• ARM & SEAL ASM "160/180/290"	1		002379	002379	002379	004745	004745	004745	004745	004745	004745								
9	• GASKET, CASE/COVER	1		001011	001011	001011	001011	001011	001011	001011	001011	001011								
10	SWITCH ASM "160/180/290"	1		002380	002380	002380	004744	004744	004744	004744	004744	004744								
□	LEAD WIRE (GRAY)	1		002609	002609	002609	NA	NA	NA	NA	NA	NA								
11	• WIRE PKG (5) WIRES	1		002496	001070	001070	004749	004749	004749	004749	004749	004749								
12	CAPACITOR & CLAMP ASM 30UF	1	2	002381	003575	003575	003575	003575	003575	003575	003575	003575								
13	RELAY	1		217092	217092	217092	217092	217092	217092	217092	217092	153832								
14	FLOAT, PLASTIC	1		094039	094039	094039	094039	094039	094039	094039	094039	094039								
15	GUIDE ASM, FLT ROD	1		001072	001072	001072	001072	001072	001072	001072	001072	001072								
16	ROD ASM, FLT	1		003083	003083	003083	003083	003083	003082	003083	150439	150439								
17	HOUSING, MTR- & STR 1PH 163	1	1,7	002497	002497	002497	002497	002497	002497	002497	150580	150580								
18	BEARING, UPPER SLEEVE	1		001012	001012	001012	001012	001012	001012	001012	NA	NA								
	• BEARING, UPPER BALL		NA	NA	NA	NA	NA	NA	NA	006703	006703									
19	• PLUG, TEST-WHITE	2		034090	034090	034090	034090	034090	034090	034090	034090	034090								
20	• SEAL, THRU WALL TERM	3		003402	003402	003402	003402	003402	003402	003402	003402	003402								
21	ROTOR & BRG	1	7	002701	002701	002701	002701	002701	002701	002701	150574	150574								
22	BEARING, RADIAL	1		001013	001013	001013	001013	001013	001013	001013	010069	010069								
23	• SEAL, MTR HSG	1		001014	001014	001014	001014	001014	001014	001014	001014	001014								
24	• OIL, DIELECTRIC	1		002383	002383	002383	002383	002383	002383	003168	011066	011066								
25	ADAPTER-MACH 163/165/293	1		001003	001003	001003	001003	001003	001003	001003	001003	001003								
26	• SEAL, SHAFT	1		002430	002430	002430	002430	002430	002430	002430	002430	002430								
27	FLANGE PKG 2" NPT	1		NA	NA	10-1305	10-1305	10-1305	10-1305	10-1305	10-1305	10-1305								
	FLANGE PKG 3" NPT		NA	NA	10-1306	10-1306	10-1306	10-1306	10-1306	10-1306	10-1306	10-1306								
28	IMPELLER "163" BRONZE	1		001059	001059	004216	004216	004216	004216	004216	004216	004216								
	IMPELLER "163" CAST IRON		NA	NA	NA	NA	NA	NA	NA	NA	NA	157827								
29	HOUSING,PUMP-MACH 163/165	1		001044	001044	004214	004214	004214	004214	004214	004214	004214								
30	STRAINER PLATE	1		137008	137008	137008	137008	137008	137008	137008	137008	137008								
□	CAPACITOR & CLP 10UF	1	2	002505	NA	NA	NA	NA	NA	NA	NA	NA								
31	• SCREW, .25-20 X .75 HHM-SS	4		001916	001916	001916	001916	001916	001916	001916	001916	001916								
32	• SCREW, .313-18 X 1" HH CAP-SS	4		002608	002608	002608	002608	002608	002608	002608	002608	002608								
33	• SCREW, #10-24 X.375 RHM-SL SS	2		001883	001883	001883	001883	001883	001883	001883	001883	001883								
34	• SCREW, #6-32X.438 RHSLTP"1" STLZI	2		001877	001877	001877	004644	004644	004644	004644	004644	004644								
35	• SEM, 10-24X.375HH-SL TC.688 WASH	2		002000	002000	002000	002000	002000	002000	002000	002000	002000								
36	• WASHER, SS-1.25" ODX.562" IDX.078	2		NA	NA	002115	002115	002115	002115	002115	002115	002115								
37	• SCREW, .5-13 X 2 HH CAP-SS	2		NA	NA	001909	001909	001909	001909	001909	001909	001909								
38	• SCREW, #6-32X.25RHM SL TC STLGR	5		001877	001877	001877	001877	001877	001877	001877	001877	001877								
39	• SCREW, .25-20X1" HHM-SS	4		007790	007790	007790	007790	007790	007790	007790	007790	007790								
□	REBUILD KIT "160/185/293"			002509	002509	002509	004747	004747	004747	016103	019647	019647								

• Items included in Rebuild Kit. □ Not shown in illustration.

NOTES:

- Mtr. Hsg., Brg., Stator & Term. (Item 17) is preassembled at the factory and must be replaced as a unit. Stator is permanently attached to the Motor Housing. Plug (Item 19); Seal, Thru Wall Term. (Item 20) and Bearing - Upper (Item 18) are replaceable.
- 115V units, date coded 4/81 (PM) through 12/82 (YN), required two capacitors; (Item 12) P/N 002381, capacitor and clamp assm. 20 uf; and P/N 002505, capacitor and clamp assm. 10 uf. Both can now be replaced by one capacitor P/N 003575, capacitor and clamp assm. 30 uf. 115V units date coded 1/83 (MO) and after require one capacitor, (Item 12), P/N 003575, capacitor and clamp assm. 30 uf. All 230V units require one capacitor, (Item 12), capacitor and clamp assm. 20 uf, P/N 002381.
- When ordering these parts, customer must identify if switch is a General Electric switch.
- If an "X" follows Model No., or Date Mfg. on ID tag, consult factory for ordering of this part.
- See FM0160 Parts Price Sheet for listing of parts prices.
- "NA" indicates, not applicable.
- When ordering specify either GE or Emerson Motor.

REPLACEMENT PARTS LIST FOR MODELS "D163"

See page 6 for "D163" illustration.

REF. NO.	DESCRIPTION	QTY	NOTES	MODELS: D163-A						D163-B	D163-C	D163-D	D163-E	D163-F
				4/81 PM thru 12/82 YN	1/83 MO thru 1/85 MR	2/85 NR thru 8/86 US	9/86 VS thru 11/09	12/09 thru 1/16	2/16 thru Current					
1	CASE, SW.& CORD	1	3,4	002378	002378	002378	004748	004748	004748					
2	• HANDLE	1		217069	217069	217069	217069	217069	217069					
3	CORD, TERM & SEAL	1	3,4	002429	002429	002429	002429	002429	002429					
4	CLAMP, STRAIN RELIEF	1		001770	001770	001770	001770	001770	001770					
5	• SEAL, CORD-ASM & STR RLFT&B 14GA	1		094032	094032	094032	094032	094032	094032					
6	CASE-MACH "189/295"	1	3,4	004748	004748	004748	004614	004614	004614					
7	• GUARD	1		001023	001023	001023	001023	001023	001023					
8	• ARM & SEAL ASM "160/180/290"	1		002379	002379	002379	004745	004745	004745					
9	• GASKET, CASE/COVER	1		001011	001011	001011	001011	001011	001011					
10	SWITCH ASM "160/180/290"	1		002380	002380	002380	004744	004744	004744					
□	LEAD WIRE (GRAY)	1		002609	002609	002609	NA	NA	NA					
11	• WIRE PKG (5) WIRES	1		002496	001070	001070	004749	004749	004749					
12	CAPACITOR & CLAMP ASM 30UF	1	2	002381	002381	002381	002381	002381	002381					
13	RELAY	1		217093	217093	217093	217093	217093	153833					
14	FLOAT, PLASTIC	1		094039	094039	094039	094039	094039	094039					
15	GUIDE ASM, FLT ROD	1		001072	001072	001072	001072	001072	001072					
16	ROD ASM, FLT	1		003083	003083	003083	003083	150439	150439					
17	HOUSING, MTR & STR 1PH 163	1	1,7	002504	002504	002504	002504	150582	150582					
18	BEARING, UPPER SLEEVE	1		001012	001012	001012	001012	NA	NA					
	• BEARING, UPPER BALL		NA	NA	NA	NA	006703	006703						
19	• PLUG, TEST-WHITE	2		034090	034090	034090	034090	034090	034090					
20	• SEAL, THRU WALL TERM	3		003402	003402	003402	003402	003402	003402					
21	ROTOR & BRG	1	7	002691	002691	002691	002691	150575	150575					
22	BEARING, RADIAL	1		001013	001013	001013	001013	010069	010069					
23	• SEAL, MTR HSG	1		001014	001014	001014	001014	001014	001014					
24	• OIL, DIELECTRIC	1		002383	002383	002383	002383	011066	011066					
25	ADAPTER-MACH 163/165/293	1		001003	001003	001003	001003	001003	001003					
26	• SEAL, SHAFT	1		002430	002430	002430	002430	002430	002430					
27	FLANGE PKG 2" NPT	1		NA	NA	10-1305	10-1305	10-1305	10-1305					
	FLANGE PKG 3" NPT	1		NA	NA	10-1306	10-1306	10-1306	10-1306					
28	IMPELLER "163" BRONZE	1		001059	001059	004216	004216	004216	004216					
	IMPELLER "163" CAST IRON		NA	NA	NA	NA	NA	157827						
29	HOUSING,PUMP-MACH 163/165	1		001044	001044	004214	004214	004214	004214					
30	STRAINER PLATE	1		137008	137008	137008	137008	137008	137008					
□	CAPACITOR & CLP 10UF	1	2	002505	NA	NA	NA	NA	NA					
31	• SCREW, .25-20 X .75 HHM-SS	4		001916	001916	001916	001916	001916	001916					
32	• SCREW, .313-18 X 1" HH CAP-SS	4		002608	002608	002608	002608	002608	002608					
33	• SCREW, #10-24 X.375 RHM-SL SS	2		001883	001883	001883	001883	001883	001883					
34	• SCREW, #6-32X.438 RHSLTP"1" STLZI	2		001877	001877	001877	004644	004644	004644					
35	• SEM, 10-24X.375HH-SL TC.688 WASH	2		002000	002000	002000	002000	002000	002000					
36	• WASHER, SS-1.25"ODX.562"IDX.078	2		NA	NA	002115	002115	002115	002115					
37	• SCREW, .5-13 X 2 HH CAP-SS	1		NA	NA	001909	001909	001909	001909					
38	• SCREW, #6-32X.25RHM SL TC STLGR	5		001877	001877	001877	001877	001877	001877					
39	• SCREW, .25-20X1" HHM-SS	4		007790	007790	007790	007790	007790	007790					
□	REBUILD KIT "160/185/293"			002509	002509	002509	004747	019647	019647					

• Items included in Rebuild Kit.

□ Not shown in illustration.

NOTES:

- 1) Mtr. Hsg., Brg., Stator & Term. (Item 17) is preassembled at the factory and must be replaced as a unit. Stator is permanently attached to the Motor Housing. Plug (Item 19); Seal, Thru Wall Term. (Item 20) and Bearing - Upper (Item 18) are replaceable.
- 2) 115V units, date coded 4/81 (PM) through 12/82 (YN), required two capacitors; (Item 12) P/N 002381, capacitor and clamp assm. 20 uf; and P/N 002505, capacitor and clamp assm. 10 uf. Both can now be replaced by one capacitor P/N 003575, capacitor and clamp assm. 30 uf. 115V units date coded 1/83 (MO) and after require one capacitor, (Item 12), P/N 003575, capacitor and clamp assm. 30 uf. All 230V units require one capacitor, (Item 12), capacitor and clamp assm. 20 uf, P/N 002381.
- 3) When ordering these parts, customer must identify if switch is a General Electric switch.
- 4) If an "X" follows Model No., or Date Mfg. on ID tag, consult factory for ordering of this part.
- 5) See FM0160 Parts Price Sheet for listing of parts prices.
- 6) "NA" indicates, not applicable.
- 7) When ordering specify either GE or Emerson Motor.

REPLACEMENT PARTS LIST FOR MODELS "N163"

See page 6 for "N163" illustration.

REF. NO.	DESCRIPTION	QTY	NOTES	MODELS: N163-A								
				4/81 PM thru 12/82 YN	1/83 MO thru 1/85 MR	2/85 NR thru 8/86 US	9/86 VS thru 7/90	8/90 thru 9/98	10/98 thru 4/03	5/03 thru 11/09	12/09 thru Current	
1	• HANDLE	1		217069	217069	217069	217069	217069	217069	217069	217069	
2	COVER & CORD	1	2	002499	002499	002499	002499	006293	006293	014158	014158	
3	CORD, TERM, & SEAL	1	2	002508	002508	002508	002508	006291	006291	014169	014169	
4	CLAMP, STRAIN RELIEF-RED	1	2	001770	001770	001770	001770	001770	001770	013764	013764	
5	SEAL ASM., CORD & STRAIN RELIEF	1	2	094032	094032	094032	094032	004375	004375	015634	015634	
6	COVER-MACH 14GA CD	1		001077	001077	001077	001077	004372	004372	014150	014150	
7	• GASKET, CASE/COVER	1		001011	001011	001011	001011	001011	001011	001011	001011	
8	• WIRE PKG (5) WIRES	1		002496	001070	001070	001070	004749	004749	004749	004749	
9	CAPACITOR & CLAMP ASM 30UF	1		002381	003575	003575	003575	003575	003575	003575	003575	
10	HOUSING, MTR & STR 1PH 163	1	1,5	002497	002497	002497	002497	002497	002497	002497	150580	
11	BEARING, UPPER SLEEVE	1		001012	001012	001012	001012	001012	001012	001012	NA	
	• BEARING, UPPER SLEEVE			NA	NA	NA	NA	NA	NA	NA	006703	
12	• PLUG, TEST-WHITE	2		034090	034090	034090	034090	034090	034090	034090	034090	
13	SEAL THRU WALL TERM	3		003402	003402	003402	003402	003402	003402	003402	003402	
14	ROTOR & BRG	1	5	002701	002701	002701	002701	002701	002701	002701	150574	
15	BEARING, RADIAL	1		001013	001013	001013	001013	001013	001013	001013	010069	
16	• SEAL, MTR HSG	1		001014	001014	001014	001014	001014	001014	001014	001014	
17	• OIL, DIELECTRIC	1		002383	002383	002383	002383	002383	002383	003168	011066	
18	ADAPTER-MACH 163/165/293	1		001003	001003	001003	001003	001003	001003	001003	001003	
19	• SEAL, SHAFT	1		002430	002430	002430	002430	002430	002430	002430	002430	
20	FLANGE PKG 2" NPT	1		NA	NA	10-1305	10-1305	10-1305	10-1305	10-1305	10-1305	
	FLANGE PKG 3" NPT	1		NA	NA	10-1306	10-1306	10-1306	10-1306	10-1306	10-1306	
21	IMPELLER "163" BRONZE	1		001059	001059	004216	004216	004216	004216	004216	004216	
	IMPELLER "163" CAST IRON			NA	NA	NA	NA	NA	NA	NA	157827	
22	HOUSING, PUMP-MACH 163/165	1		001044	001044	004214	004214	004214	004214	004214	004214	
23	STRAINER PLATE	1		137008	137008	137008	137008	137008	137008	137008	137008	
24	• SCREW, .25-20 X .75 HHM-SS	4		001916	001916	001916	001916	001916	001916	001916	001916	
25	• SCREW, .313-18 X 1" HH CAP-SS	4		002608	002608	002608	002608	002608	002608	002608	002608	
26	• SCREW, #10-24 X.375 RHM-SL SS	1		001883	001883	001883	001883	001883	001883	001883	001883	
27	• SEM, 10-24X.375HH-SL TC.688 WASH	2		002000	002000	002000	002000	002000	002000	002000	002000	
28	• SCREW, .5-13 X 2 HH CAP-SS	2		NA	NA	001909	001909	001909	001909	001909	001909	
29	• WASHER, SS-1.25" ODX.562"IDX.078	2		NA	NA	002115	002115	002115	002115	002115	002115	
30	• SCREW, #6-32X.25RHM SL TC STLGR	3		001877	001877	001877	001877	001877	001877	001877	001877	
31	• SCREW, .25-20X1" HHM-SS	4		007790	007790	007790	007790	007790	007790	007790	007790	
□	REBUILD KIT "160/185/293"			002509	002509	002509	004747	004747	004747	014193	019648	

• Items included in Rebuild Kit. □ Not shown in illustration.

NOTES:

- 1) Mtr. Hsg., Brg., Stator & Term. (Item 10) is preassembled at the factory and must be replaced as a unit. Stator is permanently attached to the Motor Housing. Plug (Item 12); Seal, Thru Wall Term. (Item 13) and Bearing - Upper (Item 15) are replaceable.
- 2) If an "X" follows Model No., or Date Mfg. on ID tag, consult factory for ordering of this part.
- 3) See FM0160 Parts Price Sheet for listing of parts prices.
- 4) "NA" indicates, not applicable.
- 5) When ordering specify either GE or Emerson Motor.

REPLACEMENT PARTS LIST FOR MODELS "E163"

See page 6 for "E163" illustration.

REF. NO.	DESCRIPTION	QTY	NOTES	MODELS: E163-A					E163-B	E163-C	E163-D	E163-E
				4/81 PM thru 12/82 YN	1/83 MO thru 1/85 MR	2/85 NR thru 8/86 US	9/86 VS thru 11/09	12/09 thru Current				
1	• HANDLE	1		217069	217069	217069	217069	217069				
2	COVER & CORD	1	2	002401	002401	002401	002401	002401				
3	CORD, TERM, & SEAL	1	2	002402	002402	002402	002402	002402				
4	CLAMP, STRAIN RELIEF	1	2	001770	001770	001770	001770	001770				
5	SEAL ASM., CORD & STRAIN RELIEF	1	2	094032	094032	094032	094032	094032				
6	COVER-MACH 14GA CD	1		001077	001077	001077	001077	001077				
7	• GASKET, CASE/COVER	1		001011	001011	001011	001011	001011				
8	• WIRE PKG (5) WIRES	1		002496	001070	001070	004749	004749				
9	CAPACITOR & CLAMP ASM 30UF	1		002381	002381	002381	002381	002381				
10	HOUSING, MTR- & STR 1PH 163	1	1,5	002504	002504	002504	002504	150582				
11	BEARING, UPPER SLEEVE	1		001012	001012	001012	001012	NA				
	• BEARING, UPPER BALL			NA	NA	NA	NA	006703				
12	• PLUG, TEST-WHITE	2		034090	034090	034090	034090	034090				
13	SEAL THRU WALL TERM	3		003402	003402	003402	003402	003402				
14	ROTOR & BRG	1	5	002701	002701	002701	002701	150575				
15	BEARING, RADIAL	1		001013	001013	001013	001013	010069				
16	• SEAL, MTR HSG	1		001014	001014	001014	001014	001014				
17	• OIL, DIELECTRIC	1		002383	002383	002383	002383	011066				
18	ADAPTER-MACH 163/165/293	1		001003	001003	001003	001003	001003				
19	• SEAL, SHAFT	1		002430	002430	002430	002430	002430				
20	FLANGE PKG 2" NPT	1		NA	NA	10-1305	10-1305	10-1305				
	FLANGE PKG 3" NPT	1		NA	NA	10-1306	10-1306	10-1306				
21	IMPELLER "163" BRONZE	1		001059	001059	004216	004216	004216				
	IMPELLER "163" CAST IRON			NA	NA	NA	NA	157827				
22	HOUSING, PUMP-MACH 163/165	1		001044	001044	004214	004214	004214				
23	STRAINER PLATE	1		137008	137008	137008	137008	137008				
24	• SCREW, .25-20 X .75 HHM-SS	4		001916	001916	001916	001916	001916				
25	• SCREW, .313-18 X 1" HH CAP-SS	4		002608	002608	002608	002608	002608				
26	• SCREW, #10-24 X .375 RHM-SL SS	1		001883	001883	001883	001883	001883				
27	• SEM, 10-24X.375HH-SL TC.688 WASH	2		002000	002000	002000	002000	002000				
28	• SCREW, .5-13 X 2 HH CAP-SS	2		NA	NA	001909	001909	001909				
29	• WASHER, SS-1.25"ODX.562"IDX.078	2		NA	NA	002115	002115	002115				
30	• SCREW, #6-32X.25RHM SL TC STLGR	3		001877	001877	001877	001877	001877				
31	• SCREW, .25-20X1" HHM-SS	4		007790	007790	007790	007790	007790				
□	REBUILD KIT "160/185/293"			002509	002509	002509	004747	019648				

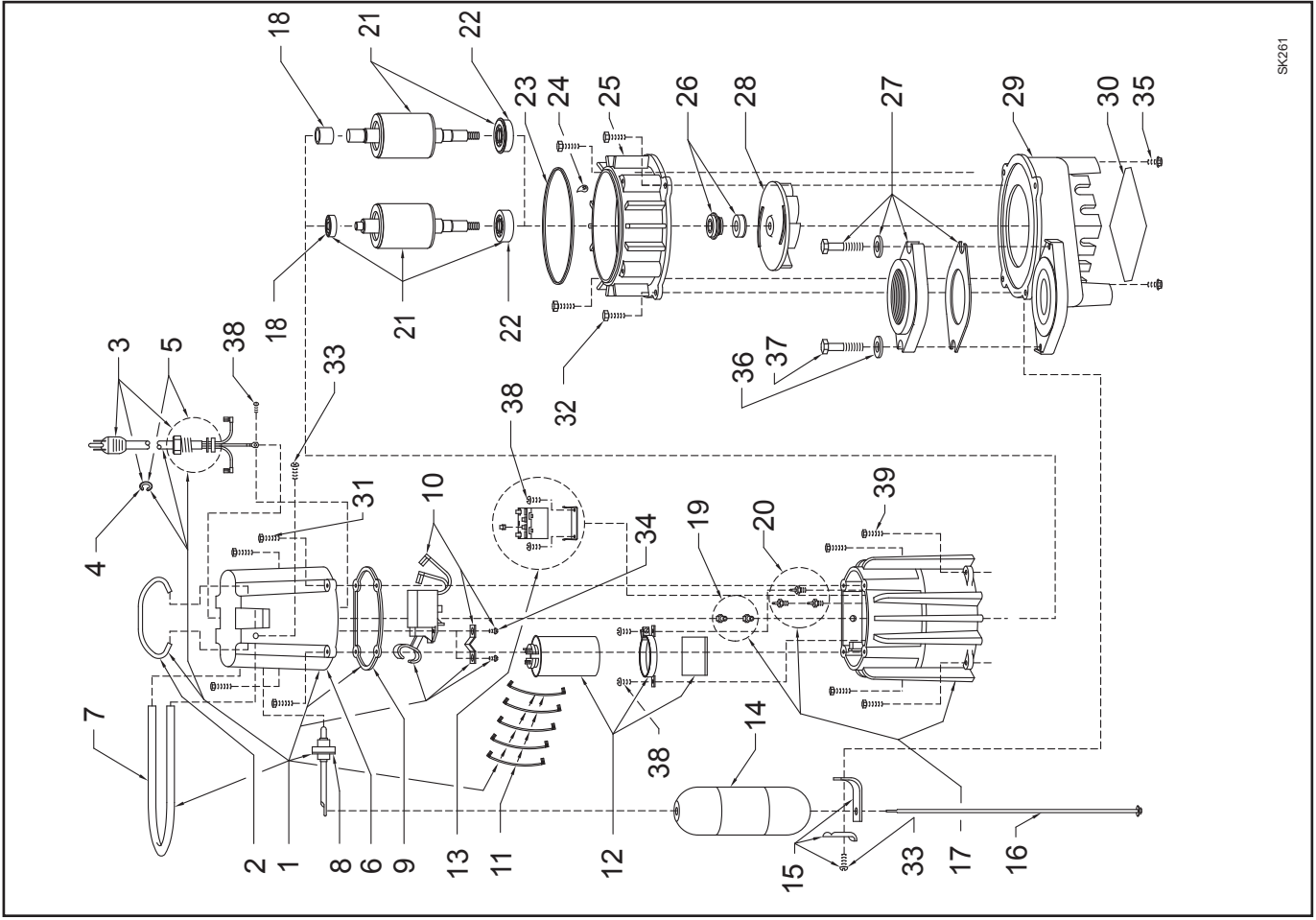
• Items included in Rebuild Kit.

□ Not shown in illustration.

NOTES:

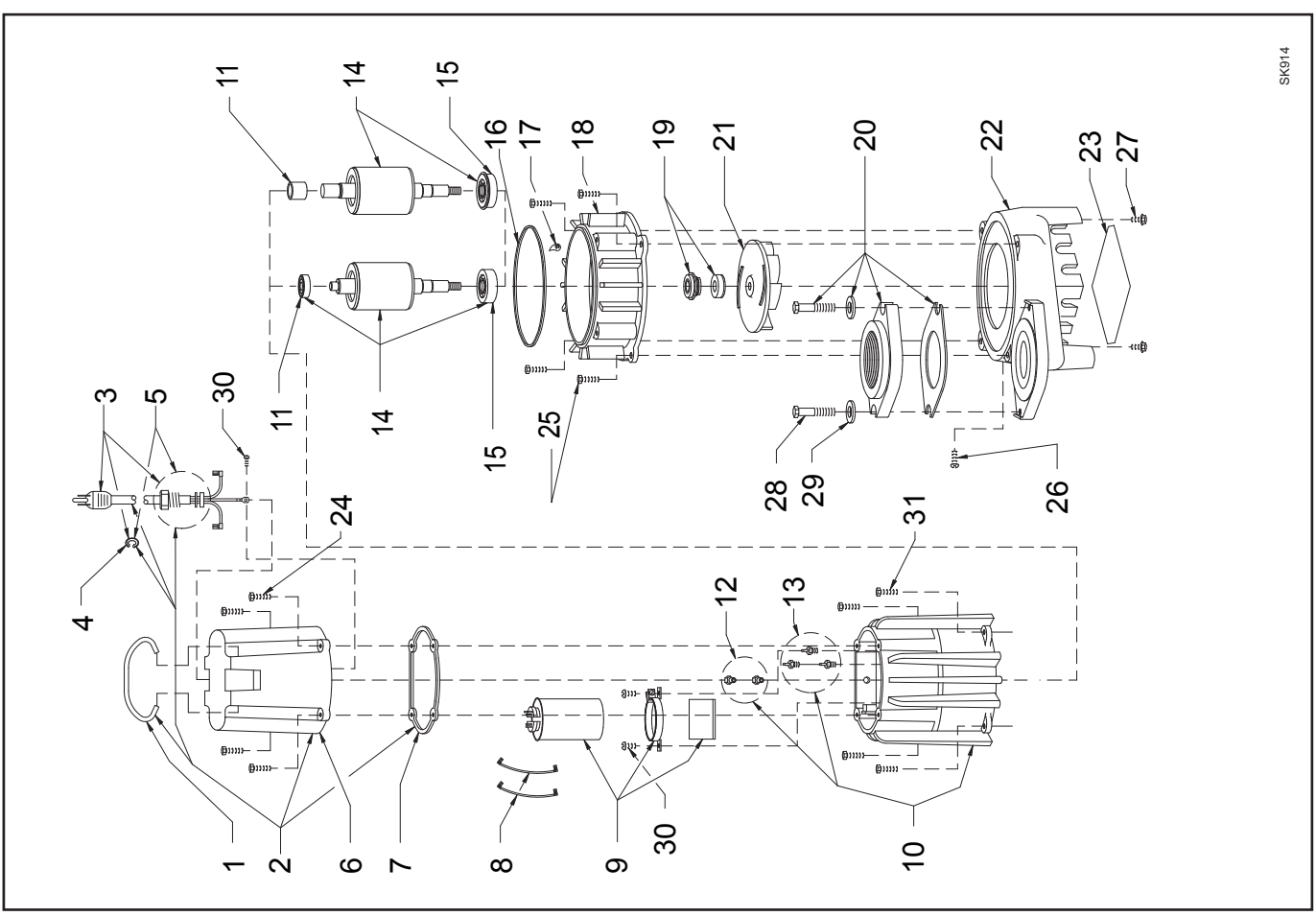
- 1) Mtr. Hsg., Brg., Stator & Term. (Item 10) is preassembled at the factory and must be replaced as a unit. Stator is permanently attached to the Motor Housing. Plug (Item 12); Seal, Thru Wall Term. (Item 13) and Bearing - Upper (Item 15) are replaceable.
- 2) If an "X" follows Model No., or Date Mfg. on ID tag, consult factory for ordering of this part.
- 3) See FM0160 Parts Price Sheet for listing of parts prices.
- 4) "NA" indicates, not applicable.
- 5) When ordering specify either GE or Emerson Motor.

REPLACEMENT PARTS ILLUSTRATION FOR MODELS "M163" AND "D163"



SK261

REPLACEMENT PARTS ILLUSTRATION FOR MODELS "N163" AND "E163"



SK914

NOTES



MAIL TO: P.O. BOX 16347 • Louisville, KY 40256-0347
SHIP TO: 3649 Cane Run Road • Louisville, KY 40211-1961
Tel: (502) 778-2731 • 1 (800) 928-PUMP

Trusted. Tested. Tough.®

Visit our website:
zoellerpumps.com