

Product information presented here reflects conditions at time of publication. Consult factory regarding discrepancies or inconsistencies.



MAIL TO: P.O. BOX 16347 • Louisville, KY 40256-0347
 SHIP TO: 3649 Cane Run Road • Louisville, KY 40211-1961
 TEL: (502) 778-2731 • 1 (800) 928-PUMP • FAX: (502) 774-3624

Visit our website:
 zoellerpumps.com

REPLACEMENT PARTS LIST FOR MODELS:

PERMANENT SPLIT CAPACITOR MOTOR DESIGN
 FOR SPLIT PHASE MOTOR DESIGN (SEE PAGE 6)

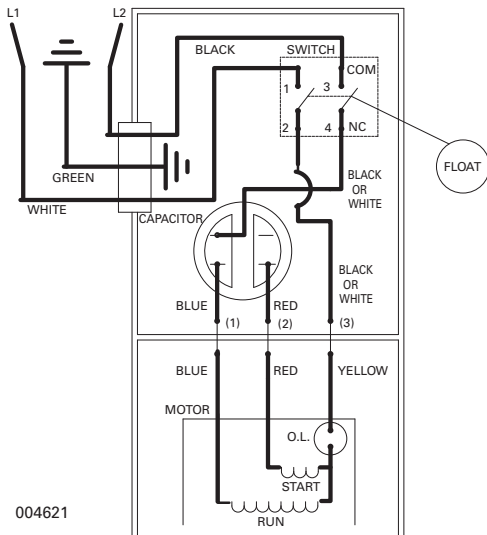
- M139 AUTOMATIC 115V
- N139 NONAUTOMATIC 115V
- D139 AUTOMATIC 230V
- E139 NONAUTOMATIC 230V
- H139 AUTOMATIC 200V/1PH
- I139 NONAUTOMATIC 200V/1PH
- J139 NONAUTOMATIC 200V/3PH
- F139 NONAUTOMATIC 230V/3PH
- G139 NONAUTOMATIC 460V/3PH

Consult factory for all other models

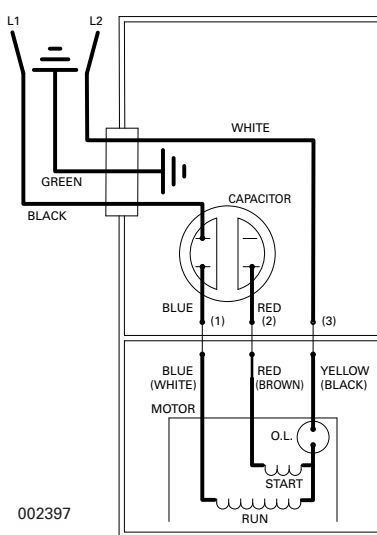
TO ORDER REPLACEMENT PARTS

PLEASE FURNISH THE FOLLOWING INFORMATION:

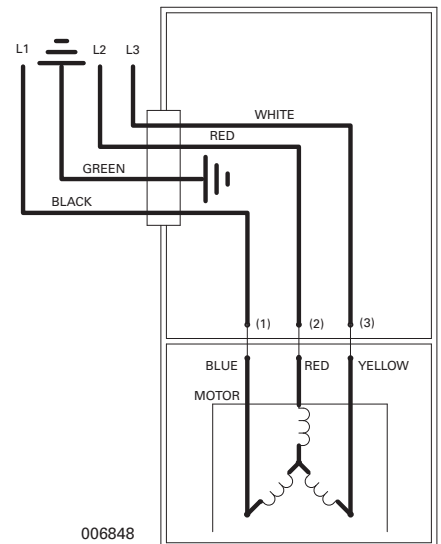
- Model number
- Part number of pump
- Part number and description of part



004621
 WIRING DIAGRAM FOR MODELS
 "M139-D", "D139-D", "H139-D"



002397
 WIRING DIAGRAM FOR MODELS
 "N139-D", "E139-D", "I139-D"



006848
 WIRING DIAGRAM FOR MODELS
 "J139", "F139" and "G139"

REPLACEMENT PARTS LIST FOR MODELS “M139”, “N139”, “D139” and “E139”

See page 5 for illustration.

REF. NO.	DESCRIPTION	QTY	NOTES	MODELS:							
				M139-C	M139-D	N139-C	N139-D	D139-C	D139-D	E139-C	E139-D
				05/19 thru 01/20	02/20 thru CURRENT	05/19 thru 01/20	02/20 thru CURRENT	05/19 thru 01/20	02/20 thru CURRENT	05/19 thru 01/20	02/20 thru CURRENT
1	CASE ASSEMBLY - AUTOMATIC	1		004742	004742	N/A	N/A	004742	004742	N/A	N/A
	COVER ASSEMBLY - NON-AUTOMATIC	1		N/A	N/A	002599	002599	N/A	N/A	002599	002599
2	• HANDLE	1		267032	267032	267032	267032	267032	267032	267032	267032
3	CASE MACH. & GASKET - AUTOMATIC	1		156950	156950	N/A	N/A	156950	156950	N/A	N/A
	COVER MACH. & GASKET - NON-AUTOMATIC	1		N/A	N/A	015748	015748	N/A	N/A	015748	015748
4	• RETAINER - NON-AUTOMATIC	2		N/A	N/A	267053	267053	N/A	N/A	267053	267053
5	• GUARD - AUTOMATIC	1		267008	267008	N/A	N/A	267008	267008	N/A	N/A
6	• GASKET - CASE/COVER	1		267007	267007	267007	267007	267007	267007	267007	267007
7	• ARM AND SEAL ASSEMBLY	1		004741	004741	N/A	N/A	004741	004741	N/A	N/A
8	SWITCH ASSEMBLY	1		004740	004740	N/A	N/A	004740	004740	N/A	N/A
9	CAPACITOR ASSEMBLY	1		155782	156952	155782	156952	155782	156952	155782	156952
10	• WIRE PACKAGE	1		155783	155783	155783	155783	155783	155783	155783	155783
11	• CORD SEAL AND STRAIN RELIEF ASSEMBLY	1	4	155784	155784	155784	155784	155784	155784	155784	155784
12	CORD ASSEMBLY - AUTOMATIC	1		010925	156956	N/A	N/A	010926	010926	N/A	N/A
	CORD ASSEMBLY - NON-AUTO	1		N/A	N/A	155785	156957	N/A	N/A	155962	155962
13	MOTOR HOUSING ASSEMBLY	1		156949	156953	156949	156953	156949	156953	156949	156953
14	STATOR WITH SCREWS	1		155787	156954	155787	156954	155961	156958	155961	156958
15	• THRU WALL TERMINALS	3		003402	003402	003402	003402	003402	003402	003402	003402
16	• TEST PLUGS	2		034090	034090	034090	034090	034090	034090	034090	034090
17	ROTOR ASSEMBLY	1		155788	156955	155788	156955	155788	156955	155788	156955
18	• THRUST WASHER	1		002140	002140	002140	002140	002140	002140	002140	002140
19	• DIELECTRIC OIL	1		267056	267056	267056	267056	267056	267056	267056	267056
20	• MOTOR HOUSING SEAL	1		267006	267006	267006	267006	267006	267006	267006	267006
21	PUMP HOUSING - MACH.	1		139018	139018	139018	139018	139018	139018	139018	139018
22	• SHAFT SEAL ASSEMBLY	1		267027	267027	267027	267027	267027	267027	267027	267027
23	IMPELLER	1		139006	139006	139006	139006	139006	139006	139006	139006
24	BASE	1		001515	001515	001515	001515	001515	001515	001515	001515
25	FLOAT	1		034019	034019	N/A	N/A	034019	034019	N/A	N/A
26	FLOAT ROD	1		001526	001526	N/A	N/A	001526	001526	N/A	N/A
27	FLOAT ROD GUIDE ASSEMBLY	1		004676	004676	N/A	N/A	004676	004676	N/A	N/A
28	• SCREW - CASE & BASE (1/4-20 X 3/4" LONG)	9		001916	001916	001916	001916	001916	001916	001916	001916
29	• SCREW - SWITCH (#6-32 X 7/16" LONG)	2		004644	004644	N/A	N/A	004644	004644	N/A	N/A
30	• SCREW - GROUND & CAPACITOR (#6-32 X 1/4" LONG)	1		001877	001877	001877	001877	001877	001877	001877	001877
31	• SCREW - MOTOR HOUSING (1/4-20 X 7/8" LONG)	4		012491	012491	012491	012491	012491	012491	012491	012491
32	• SCREW - STATOR (#8-32 X 3 1/16" LONG)	2		154768	154768	154768	154768	154768	154768	154768	154768
33	• SCREW - GUARD & RETAINERS/GUIDE (#10-24 X 3/8" LONG)	3		001883	001883	001883	001883	001883	001883	001883	001883
34	NUT,5/16-24UNF SS ACORN/LOW CROWN	1		N/A	N/A	N/A	N/A	N/A	N/A	N/A	N/A
*	REBUILD KIT	1		155789	155789	155789	155789	155789	155789	155789	155789

* Items included in Rebuild Kit. Not shown in illustration

SERVICE PARTS NOTES:

- 1) If an "X" follows model no. or date mfg. on brass ID tag, consult factory for ordering any parts.
- 2) See FM0160 parts price sheet for listing of parts prices.
- 3) "NA" indicates not applicable.
- 4) Strain relief clamp is not sold separately, must order cord seal assembly.

REPLACEMENT PARTS LIST FOR MODELS “H139” and “I139”

See page 5 for illustration.

REF. NO.	DESCRIPTION	QTY	NOTES	MODELS:			
				H139-C 05/19 thru 01/20	H139-D 02/20 thru CURRENT	I139-C 05/19 thru 01/20	I139-D 02/20 thru CURRENT
1	CASE ASSEMBLY - AUTOMATIC	1		004742	004742	N/A	N/A
	COVER ASSEMBLY - NON-AUTOMATIC	1		N/A	N/A	002599	002599
2	• HANDLE	1		267032	267032	267032	267032
3	CASE MACH. & GASKET - AUTOMATIC	1		156950	156950	N/A	N/A
	COVER MACH. & GASKET - NON-AUTOMATIC	1		N/A	N/A	015748	015748
4	• RETAINER - NON-AUTOMATIC	2		N/A	N/A	267053	267053
5	• GUARD - AUTOMATIC	1		267008	267008	N/A	N/A
6	• GASKET - CASE/COVER	1		267007	267007	267007	267007
7	• ARM AND SEAL ASSEMBLY	1		004741	004741	N/A	N/A
8	SWITCH ASSEMBLY	1		004740	004740	N/A	N/A
9	CAPACITOR ASSEMBLY	1		155782	156952	155782	156952
10	• WIRE PACKAGE	1		155783	155783	155783	155783
11	• CORD SEAL AND STRAIN RELIEF ASSEMBLY	1	4	155784	155784	155784	155784
12	CORD ASSEMBLY - AUTOMATIC	1		156032	156032	N/A	N/A
	CORD ASSEMBLY - NON-AUTO	1		N/A	N/A	156033	156033
13	MOTOR HOUSING ASSEMBLY	1		156949	156953	156949	156953
14	STATOR WITH SCREWS	1		156034	156959	156034	156959
15	• THRU WALL TERMINALS	3		003402	003402	003402	003402
16	• TEST PLUGS	2		034090	034090	034090	034090
17	ROTOR ASSEMBLY	1		155788	156955	155788	156955
18	• THRUST WASHER	1		002140	002140	002140	002140
19	• DIELECTRIC OIL	1		267056	267056	267056	267056
20	• MOTOR HOUSING SEAL	1		267006	267006	267006	267006
21	PUMP HOUSING - MACH.	1		139018	139018	139018	139018
22	• SHAFT SEAL ASSEMBLY	1		267027	267027	267027	267027
23	IMPELLER	1		139006	139006	139006	139006
24	BASE	1		001515	001515	001515	001515
25	FLOAT	1		034019	034019	N/A	N/A
26	FLOAT ROD	1		001526	001526	N/A	N/A
27	FLOAT ROD GUIDE ASSEMBLY	1		004676	004676	N/A	N/A
28	• SCREW - CASE & BASE (1/4-20 X 3/4" LONG)	9		001916	001916	001916	001916
29	• SCREW - SWITCH (#6-32 X 7/16" LONG)	2		004644	004644	N/A	N/A
30	• SCREW - GROUND & CAPACITOR (#6-32 X 1/4" LONG)	1		001877	001877	001877	001877
31	• SCREW - MOTOR HOUSING (1/4-20 X 7/8" LONG)	4		012491	012491	012491	012491
32	• SCREW - STATOR (#8-32 X 3 1/16" LONG)	2		154768	154768	154768	154768
33	• SCREW - GUARD & RETAINERS/GUIDE (#10-24 X 3/8" LONG)	3		001883	001883	001883	001883
34	NUT, 5/16-24UNF SS ACORN/LOW CROWN	1		N/A	N/A	N/A	N/A
*	REBUILD KIT	1		155789	155789	155789	155789

* Items included in Rebuild Kit. Not shown in illustration

SERVICE PARTS NOTES:

- 1) If an "X" follows model no. or date mfg. on brass ID tag, consult factory for ordering any parts.
- 2) See FM0160 parts price sheet for listing of parts prices.
- 3) "NA" indicates not applicable.
- 4) Strain relief clamp is not sold separately, must order cord seal assembly.

REPLACEMENT PARTS LIST FOR MODELS "J139", "F139" and "G139"

See page 5 for illustration.

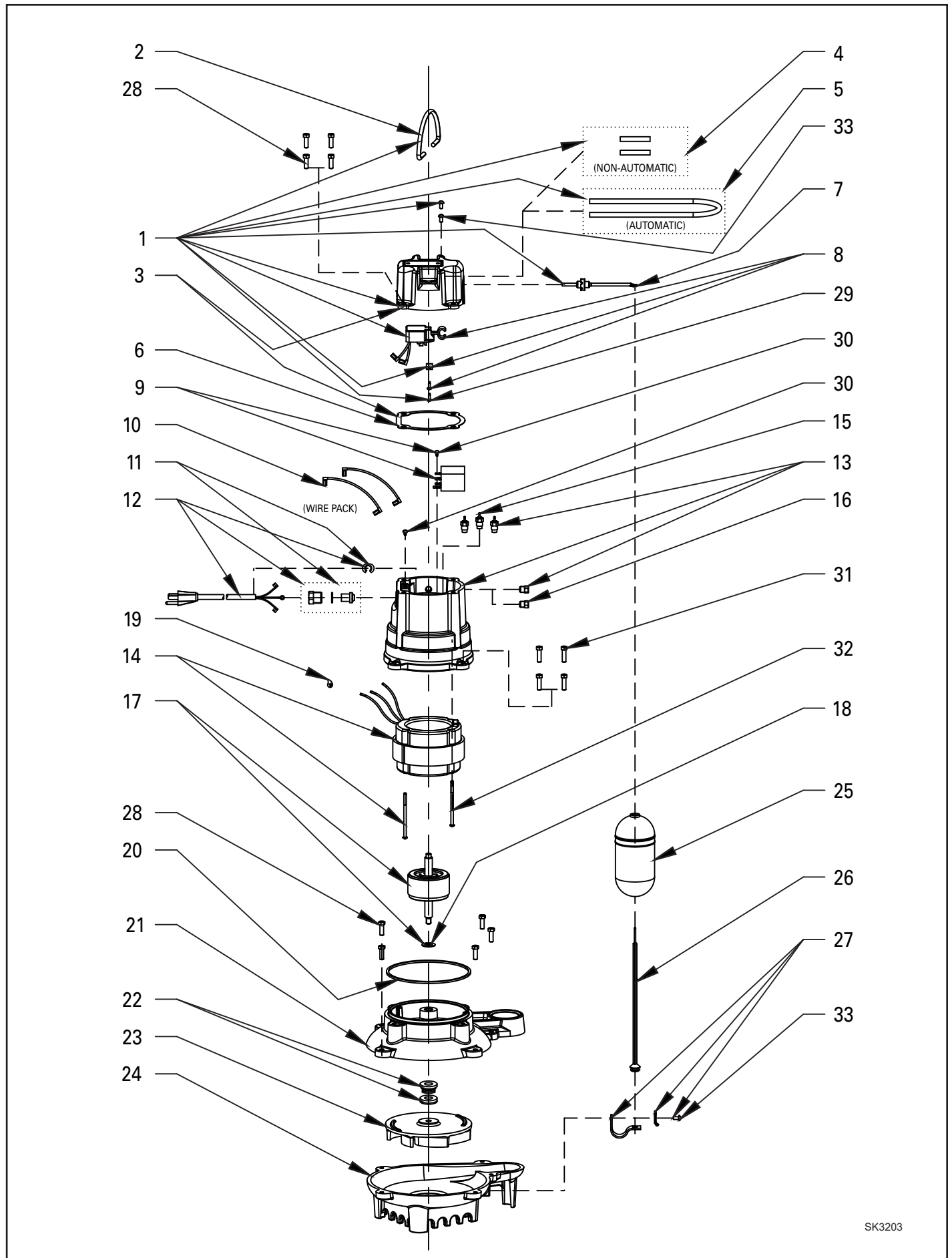
REF. NO.	DESCRIPTION	QTY	NOTES	MODELS:		J139-C	J139-D	F139-C	F139-D	G139-C	G139-D
				05/19 thru 01/20	02/20 thru CURRENT	05/19 thru 01/20	02/20 thru CURRENT	05/19 thru 01/20	02/20 thru CURRENT		
1	CASE ASSEMBLY - AUTOMATIC	1		N/A	N/A	N/A	N/A	N/A	N/A	N/A	N/A
	COVER ASSEMBLY - NON-AUTOMATIC	1		002599	002599	002599	002599	002599	002599	002599	002599
2	• HANDLE	1		267032	267032	267032	267032	267032	267032	267032	267032
3	CASE MACH. & GASKET - AUTOMATIC	1		N/A	N/A	N/A	N/A	N/A	N/A	N/A	N/A
	COVER MACH. & GASKET - NON-AUTOMATIC	1		015748	015748	015748	015748	015748	015748	015748	015748
4	• RETAINER - NON-AUTOMATIC	2		267053	267053	267053	267053	267053	267053	267053	267053
5	• GUARD - AUTOMATIC	1		N/A	N/A	N/A	N/A	N/A	N/A	N/A	N/A
6	• GASKET - CASE/COVER	1		267007	267007	267007	267007	267007	267007	267007	267007
7	• ARM AND SEAL ASSEMBLY	1		N/A	N/A	N/A	N/A	N/A	N/A	N/A	N/A
8	SWITCH ASSEMBLY	1		N/A	N/A	N/A	N/A	N/A	N/A	N/A	N/A
9	CAPACITOR ASSEMBLY	1		N/A	N/A	N/A	N/A	N/A	N/A	N/A	N/A
10	• WIRE PACKAGE	1		N/A	N/A	N/A	N/A	N/A	N/A	N/A	N/A
11	• CORD SEAL AND STRAIN RELIEF ASSEMBLY	1	4	155784	155784	155784	155784	155784	155784	155784	155784
12	CORD ASSEMBLY - AUTOMATIC	1		N/A	N/A	N/A	N/A	N/A	N/A	N/A	N/A
	CORD ASSEMBLY - NON-AUTO	1		003761	003761	003761	003761	003761	003761	003761	003761
13	MOTOR HOUSING ASSEMBLY	1		156949	156953	156949	156953	156949	156953	156949	156953
14	STATOR WITH SCREWS	1		156035	156960	156036	156962	156037	156966	156037	156966
15	• THRU WALL TERMINALS	3		003402	003402	003402	003402	003402	003402	003402	003402
16	• TEST PLUGS	2		034090	034090	034090	034090	034090	034090	034090	034090
17	ROTOR ASSEMBLY	1		156038	156961	156038	156961	156038	156961	156038	156961
18	• THRUST WASHER	1		002140	002140	002140	002140	002140	002140	002140	002140
19	• DIELECTRIC OIL	1		267056	267056	267056	267056	267056	267056	267056	267056
20	• MOTOR HOUSING SEAL	1		267006	267006	267006	267006	267006	267006	267006	267006
21	PUMP HOUSING - MACH.	1		139018	139018	139018	139018	139018	139018	139018	139018
22	• SHAFT SEAL ASSEMBLY	1		267027	267027	267027	267027	267027	267027	267027	267027
23	IMPELLER	1		015749	015749	015749	015749	015749	015749	015749	015749
24	BASE	1		001515	001515	001515	001515	001515	001515	001515	001515
25	FLOAT	1		N/A	N/A	N/A	N/A	N/A	N/A	N/A	N/A
26	FLOAT ROD	1		N/A	N/A	N/A	N/A	N/A	N/A	N/A	N/A
27	FLOAT ROD GUIDE ASSEMBLY	1		N/A	N/A	N/A	N/A	N/A	N/A	N/A	N/A
28	• SCREW - CASE & BASE (1/4-20 X 3/4" LONG)	9		001916	001916	001916	001916	001916	001916	001916	001916
29	• SCREW - SWITCH (#6-32 X 7/16" LONG)	2		N/A	N/A	N/A	N/A	N/A	N/A	N/A	N/A
30	• SCREW - GROUND & CAPACITOR (#6-32 X 1/4" LONG)	1		001877	001877	001877	001877	001877	001877	001877	001877
31	• SCREW - MOTOR HOUSING (1/4-20 X 7/8" LONG)	4		012491	012491	012491	012491	012491	012491	012491	012491
32	• SCREW - STATOR (#8-32 X 3 1/16" LONG)	2		154768	154768	154768	154768	154768	154768	154768	154768
33	• SCREW - GUARD & RETAINERS/GUIDE (#10-24 X 3/8" LONG)	3		001883	001883	001883	001883	001883	001883	001883	001883
34	NUT, 5/16-24UNF SS ACORN/LOW CROWN	1		004348	004348	004348	004348	004348	004348	004348	004348
*	REBUILD KIT	1		155789	155789	155789	155789	155789	155789	155789	155789

* Items included in Rebuild Kit. Not shown in illustration

SERVICE PARTS NOTES:

- 1) If an "X" follows model no. or date mfg. on brass ID tag, consult factory for ordering any parts.
- 2) See FM0160 parts price sheet for listing of parts prices.
- 3) "NA" indicates not applicable.
- 4) Strain relief clamp is not sold separately, must order cord seal assembly.

REPLACEMENT PARTS ILLUSTRATION FOR ALL 139 MODELS



SK3203

REPLACEMENT PARTS LIST FOR MODELS:

“SLIP PHASE MOTOR DESIGN”

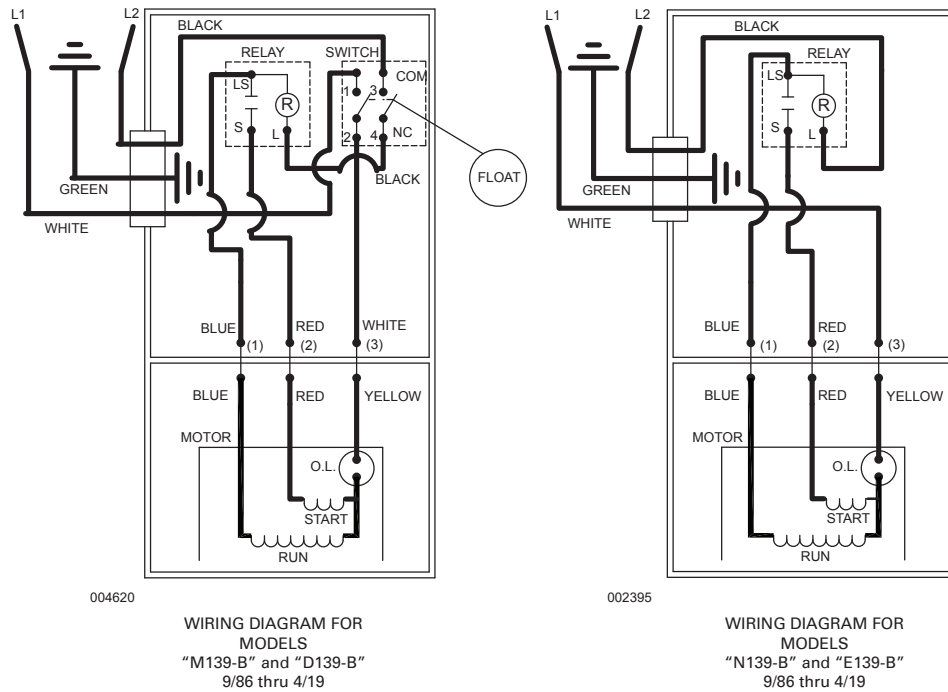
M139 AUTOMATIC 115V
D139 AUTOMATIC 230V
N139 NON-AUTOMATIC 115V
E139 NON-AUTOMATIC 230V

Consult factory for all other models

TO ORDER REPLACEMENT PARTS:

PLEASE FURNISH THE FOLLOWING INFORMATION:

- Model Number.
- Part Number of Pump.
- Part Number and Description of part.



REPLACEMENT PARTS LIST FOR MODELS “M139” and “D139”

See page 9 for illustration.

				MODELS:	
REF NO.	DESCRIPTION	QTY	NOTES	M139-B	D139-B
				9/86 thru 4/19	9/86 thru 4/19
1	• HANDLE	1		267032	267032
2	CASE-MACH "137/267/268"	1	3	004611	004611
3	• GASKET,CASE/COVER	1		267007	267007
4	RELAY ASM	1		002474	147135
5	• WIRE PKG (2)WIRES	1		267014	267014
6	• SEAL,THRU WALL TERM	3		003402	003402
7	• PLUG,TEST-WHITE	2		034090	034090
8	• CLAMP,STRAIN RELIEF-RED	1	6	NA	NA
9	CORD TERM & SEAL ASM 10'	1	3	094071	094072
10	• SEAL,CORD-ASM & STRAIN RELIEF	1		094032	094032
11	BEARING,UPPER ROTOR	1		NA	NA
12	• GUARD	1		267008	267008
13	FLOAT-POLYPROPYLENE	1		034019	034019
14	• ARM & SEAL ASM "130/260"	1	3	004741	004741
15	CASE & SWITCH ASM "130/260"	1	3	004742	004742
16	SWITCH ASM "130/260"	1	3	004740	004740
□	LEAD WIRE (GRAY)	1		NA	NA
17	ROD,FLOAT	1		001526	001526
18	HOUSING,MTR-&STR GE	1	1,2	002477	002478
	HOUSING,MTR-& STR EMD	1	1,2	014799	015450
19	ROTOR ASM 115/230V/1PH GE	1	2	267005	267005
	ROTOR ASM 115/230V/1PH EMD	1	2	004021	004021
20	• SEAL,MTR HSG	1		267006	267006
21	• WASHER,TRST-NYL.875X.504X.050"	1		002140	002140
22	BEARING,SLEEVE-LOWER ROTOR	1		NA	NA
23	HOUSING,PUMP-MACH	1		139018	139018
24	• OIL,DIELECTRIC (24.5 OZ CAN)	1		267056	267056
25	GUIDE ASM,FLT ROD	1		004676	004676
26	• SEAL ASM,SHAFT-BLISTER PAK	1		267027	267027
27	IMPELLER "137"	1		139006	139006
28	BASE & PLATE ASM	1		139002	139002
29	STRAINER PLATE	1		137008	137008
30	• SCREW,.25-20 X .75 HHM-SS	9		001916	001916
31	• SCREW,#6-32X.438RHSLTP"1" STLZI	2		004644	004644
32	• SCREW,#10-24 X.375 RHM-SL SS	3		001883	001883
33	• SEM,10-24X.375HH-SL TC.688WASH	2		002000	002000
34	• SCREW,#6-32X.25RHM SL TC STLGR	3		001877	001877
□	REBUILD KIT "130/260"	1		004743	004743
35	SCREW .25-20 X .875 HH SS	4		012491	012491

- Items included in Rebuild Kit.
- Not shown in illustration

NOTES:

- 1) Mtr. Hsg., Brg., Stator & Term. (Item 18) are preassembled at the factory and must be replaced as a unit. Stator is permanently attached to the Motor Housing. Plug (Item 7); Seal, Thru Wall Term. (Item 6) and Bearing - Upper (Item 11) are replaceable.
- 2) When ordering Motor Housing, Bearing, Stator and Term. (Item 18) or Rotor (Item 16) specify either GE or Emerson motor. GE or Emerson motor. GE motor can be identified by (4) half oval slots spaced at 90° around the outside diameter or the stator. Emerson motor can be identified by (2) half oval slots or holes spaced 180° around the outside diameter of the stator.
- 3) If an "X" follows Model No., or Date Mfg. on brass ID tag, consult factory for ordering any parts.
- 4) See FM0160 Parts Price Sheet for listing of parts prices.
- 5) "NA" indicates, not applicable.
- 6) Clamp, Strain Relief (Item 8) is not sold separately, must order Seal, Cord Asm (Item 10).

REPLACEMENT PARTS LIST FOR MODELS “N139” and “E139”.

See page 9 for “N139” and “E139” illustration.

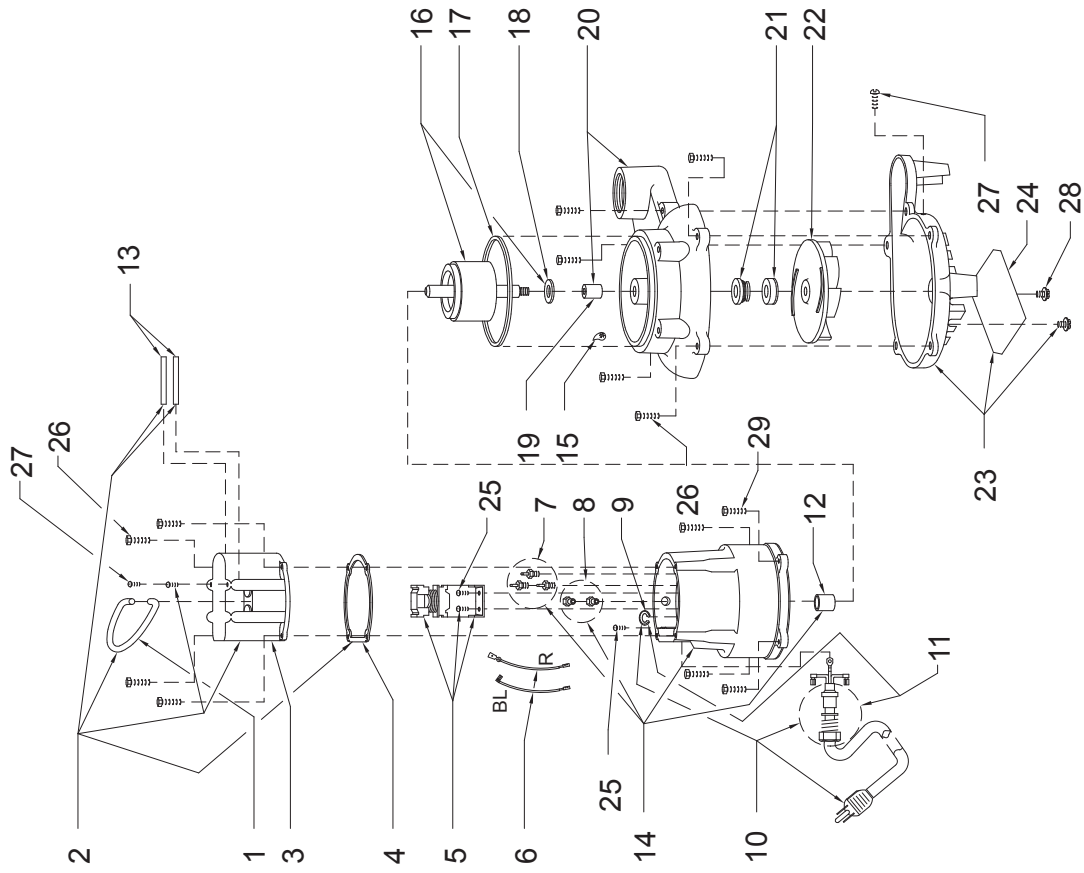
				MODELS:		
REF NO.		DESCRIPTION	QTY	NOTES	N139-B	E139-B
					9/86 thru 4/19	9/86 thru 4/19
1	•	HANDLE	1		267032	267032
2		COVER & HANDLE ASM	1		002599	002599
3		COVER-MACH	1		001519	001519
4	•	GASKET,CASE/COVER	1		267007	267007
5		RELAY ASM	1		002474	147135
6	•	WIRE PKG (2)WIRES	1		267014	267014
7	•	SEAL,THRU WALL TERM	3		003402	003402
8	•	PLUG,TEST-WHITE	2		034090	034090
9	•	CLAMP,STRAIN RELIEF-RED	1	6	NA	NA
10		CORD TERM & SEAL 15'	1	3	153878	153879
11	•	SEAL,CORD-ASM & STRAIN RELIEF	1		094032	094032
12		BEARING,UPPER ROTOR	1		NA	NA
13		RETAINER, HDL-NA	1		267053	267053
14		HOUSING,MTR-&STR GE	1	1,2	002477	002478
		HOUSING,MTR-& STR EMD	1	1,2	014799	015450
15	•	OIL,DIELECTRIC (24.5 OZ CAN)	1		267056	267056
16		ROTOR ASM 115/230V/1PH GE	1	2	267005	267005
		ROTOR ASM 115/230V/1PH EMD	1	2	004021	004021
17	•	SEAL,MTR HSG	1		267006	267006
18	•	WASHER,TRST-NYL.875X.504X.050"	1		002140	002140
19		BEARING,SLEEVE-LOWER ROTOR	1		NA	NA
20		HOUSING,PUMP-MACH	1		139018	139018
21	•	SEAL ASM,SHAFT-BLISTER PAK	1		267027	267027
22		IMPELLER "137"	1		139006	139006
23		BASE & PLATE ASM	1		139002	139002
24		STRAINER PLATE	1		137008	137008
25	•	SCREW,#6-32X.25RHM SI TC STLGR	2		001877	001877
26	•	SCREW,#.25-20 X .75 HHM-SS	9		001916	001916
27	•	SCREW,#10-24 X .375 RHM-SI SS	3		001883	001883
28	•	SEM,10-24X.375HH-SL TC.688WASH	2		002000	002000
29	•	SCREW, .25-20 X .875 HH SS	4		012491	012491
□		REBUILD KIT "130/260"	1		004743	004743

- Items included in Rebuild Kit.
- Not shown in illustration

NOTES:

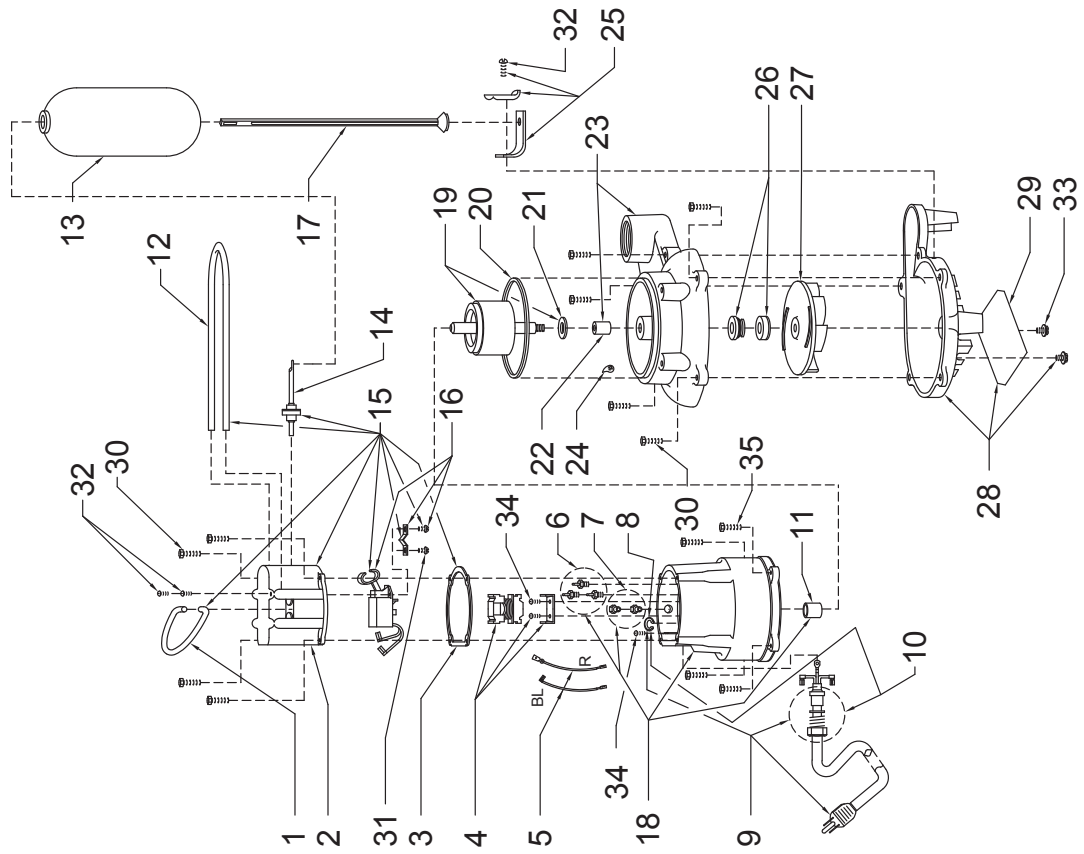
- 1) Mtr. Hsg., Brg., Stator & Term. (Item 14) are preassembled at the factory and must be replaced as a unit. Stator is permanently attached to the Motor Housing. Plug (Item 8); Seal, Thru Wall Term. (Item 7) and Bearing - Upper (Item 12) are replaceable.
- 2) When ordering Motor Housing, Bearing, Stator and Term. (Item 14) or Rotor (Item 16) specify either GE or Emerson motor. GE or Emerson motor. GE motor can be identified by (4) half oval slots spaced at 90° around the outside diameter of the stator. Emerson motor can be identified by (2) half oval slots or holes spaced 180° around the outside diameter of the stator.
- 3) If an "X" follows Model No., or Date Mfg. on brass ID tag, consult factory for ordering any parts.
- 4) See FM0160 Parts Price Sheet for listing of parts prices.
- 5) "NA" indicates, not applicable.
- 6) Clamp, Strain Relief (Item 9) is not sold separately, must order Seal, Cord Asm (Item 11).

REPLACEMENT PARTS ILLUSTRATION FOR MODELS "N139" AND "E139"



SK013

REPLACEMENT PARTS ILLUSTRATION FOR MODELS "M139" AND "D139"



SK264

REPLACEMENT PARTS LIST FOR MODELS:

SPLIT PHASE MOTOR DESIGN

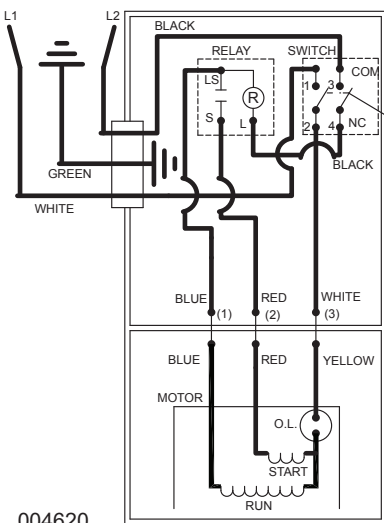
H139 AUTOMATIC 200V/1PH
 I139 NONAUTOMATIC 200V/1PH
 J139 NONAUTOMATIC 200V/3PH
 F139 NONAUTOMATIC 230V/3PH
 G139 NONAUTOMATIC 460V/3PH

Consult factory for all other models

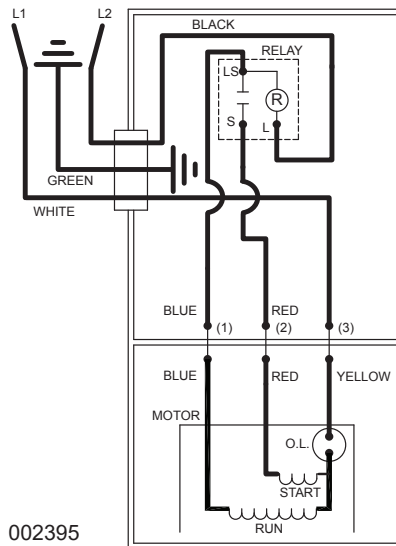
TO ORDER REPLACEMENT PARTS:

PLEASE FURNISH THE FOLLOWING INFORMATION:

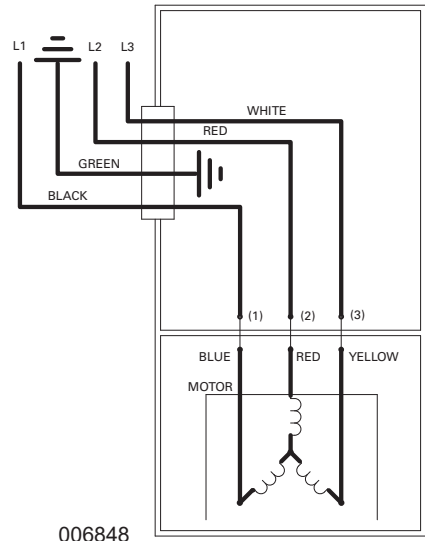
- Model Number.
- Part Number of Pump.
- Part Number and Description of part.



WIRING DIAGRAM FOR MODEL
 "H139" All Revisions
 9/86 thru 4/19



WIRING DIAGRAM FOR MODEL
 "I139" All Revisions
 9/86 thru 4/19



WIRING DIAGRAM FOR MODELS
 "J139", "F139" and "G139" All Revisions
 10/92 thru 4/19

REPLACEMENT PARTS LIST FOR MODEL "H139"

See page12 for illustration.

				MODEL: H139-B
REF. NO.	DESCRIPTION	QTY	NOTES	9/86 thru 4/19
1	• HANDLE	1		267032
2	CASE-MACH	1		004611
3	• GASKET, CASE/COVER	1		267007
4	RELAY ASM	1		001536
5	• WIRE PKG (2) WIRES	1		267014
6	• SEAL, THRU WALL TERM.	3		003402
7	• PLUG, TEST	2		034090
8	• CLAMP, STRAIN RELIEF	1		001770
9	CORD TERM. & SEAL	1		006930
10	• SEAL, CORD-ASM. & STRAIN RELIEF	1		011626
11	BEARING, UPPER ROTOR	1		N/A
12	• GUARD	1		267008
13	FLOAT, POLYPROPYLENE	1		034019
14	• ARM & SEAL ASM.	1		004741
15	CASE & SWITCH ASM.	1		004742
16	SWITCH ASM.	1		004740
17	ROD, FLOAT-MOLDED	1		001526
18	HOUSING, MTR. & STR.	1	1, 2	015750
19	ROTOR ASM.	1	2	267005
20	• SEAL MTR. HSG.	1		267006
21	• WASHER, TRST.-NYL.	1		002140
22	BEARING, SLEEVE-LOWER ROTOR	1		N/A
23	HOUSING, PUMP-MACH.	1		139018
24	• OIL, DIELECTRIC (24.5 OZ)	1		267056
25	GUIDE ASM., FLT. ROD	1		004676
26	• SEAL ASM., SHAFT	1		267027
27	IMPELLER "139"	1		139006
28	BASE, MACH.	1		139002
29	STRAINER PLATE	1		137008
30	• SCREW, .25-20X.75 HHM-SS	9		001916
31	• SCREW, #6-32X.438RH PH TP PE 23	2		004644
32	• SCREW, #10-24X.375RHM-SL SS	3		001883
33	• SCREW, SEM/10-24X.375HH-SL TC.688WASH	2		002000
34	• SCREW, #6-32X.25RHM SLTC STLGR	3		001877
35	• SCREW, .25-20X.875"LG HH SS	4		012491
□	REBUILD KIT, 3PH "139"	1		009508

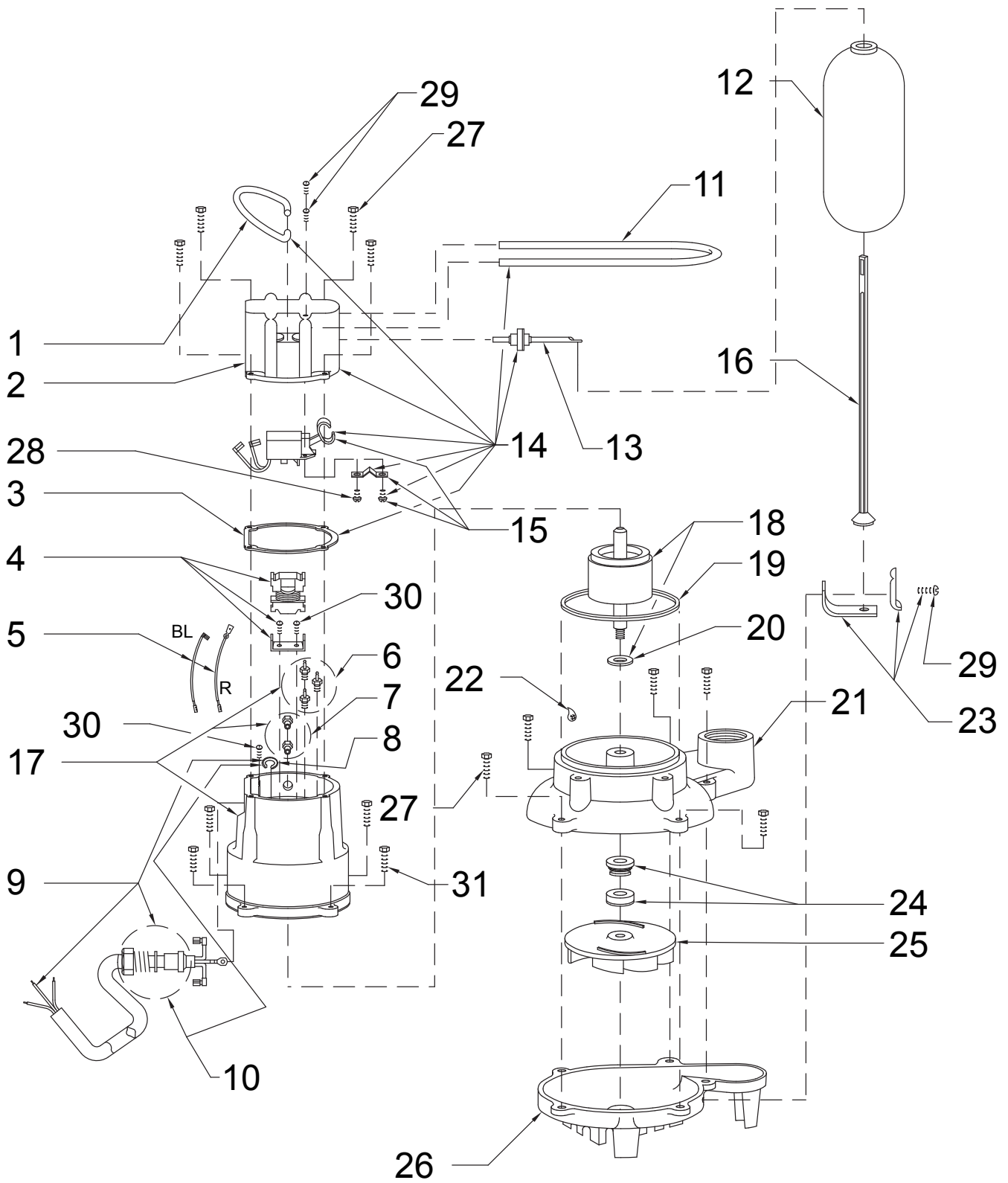
• Items included in Rebuild Kit.

□ Not shown in illustration.

NOTES:

- 1) Motor housing, bearing, stator & terminal (Item 18) are preassembled at the factory and must be replaced as a unit. Stator is permanently attached to motor housing. Plug, test (Item 7) and seal, thru wall terminal (Item 6) are replaceable.
- 2) When ordering motor housing, bearing, stator and terminal, or rotor and bearing, specify either GE or Emerson motor.
- 3) See FM0160 parts price sheet for listing of parts prices.
- 4) "N/A" indicates not applicable.

REPLACEMENT PARTS ILLUSTRATION FOR MODEL "H139"



SK2608

REPLACEMENT PARTS LIST FOR MODEL "I139"

See page 14 for illustration.

				MODEL:	I139-B
REF. NO.	DESCRIPTION	QTY	NOTES	9/86 thru 4/19	
1	• HANDLE	1		267032	
2	COVER & HANDLE ASM	1		002599	
3	COVER-MACH	1		001519	
4	• GASKET,CASE/COVER	1		267007	
5	RELAY ASM	1		001536	
6	• WIRE PKG (2)WIRES	1		267014	
7	• SEAL,THRU WALL TERM	3		003402	
8	• PLUG,TEST	2		034090	
9	• CLAMP,STRAIN RELIEF	1		001770	
10	CORD TERM&SEAL 15'	1		007071	
11	• SEAL,CORD ASM & STRAIN RELIEF	1		011626	
12	BEARING, UPPER ROTOR	1		N/A	
13	RETAINER,HDL-NA	2		267053	
14	HOUSING,MTR-& STR	1	1, 2	015750	
15	• OIL,DIELECTRIC (24.5 OZ)	1		267056	
16	ROTOR ASM	1	2	267005	
17	• SEAL,MTR HSG	1		267006	
18	• WASHER,TRST-NYL	1		002140	
19	BEARING, SLEEVE-LOWER ROTOR	1		N/A	
20	HOUSING,PUMP-MACH	1		139018	
21	• SEAL ASM,SHAFT	1		267027	
22	IMPELLER "139"	1		139006	
23	BASE-MACH	1		139002	
24	STRAINER PLATE	1		137008	
25	• SCREW,#6-32X.25RHM SL TC STLGR	2		001877	
26	• SCREW,.25-20X.75 HHM-SS/INDENTED/UNSLOTTED	9		001916	
27	• SCREW,#10-24 X.375 RHM-SL SS	3		001883	
28	• SCREW, SEM/10-24 X.375 HH-SL TC.688WASH	2		002000	
29	• SCREW,.25-20X.875"LG HH SS/INDENTED/UNSLOTTED	4		012491	
□	REBUILD KIT "130/260" (9/86 THRU CURRENT)	1		004743	

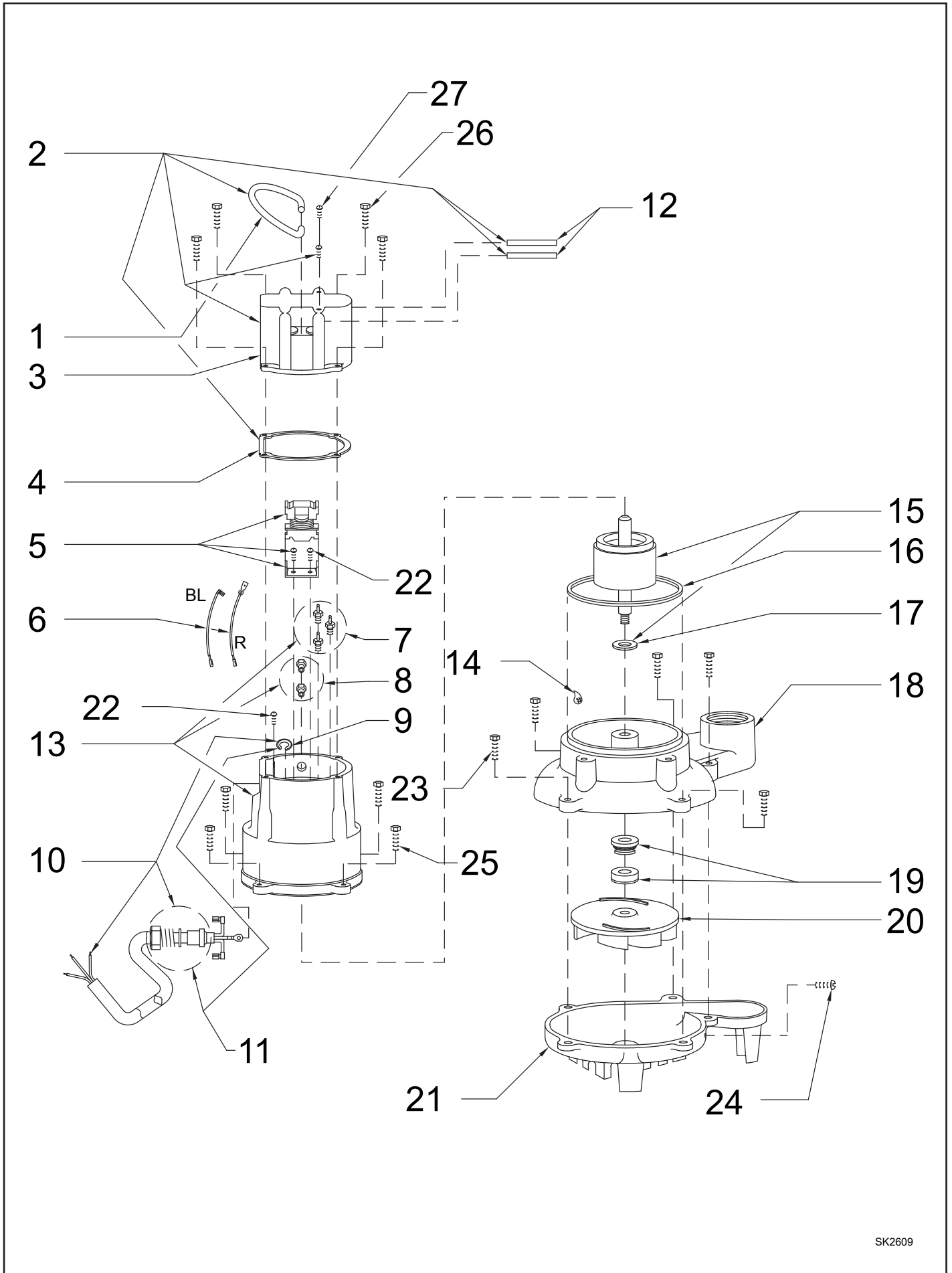
• Items included in Rebuild Kit.

□ Not shown in illustration.

NOTES:

- 1) Motor housing, bearing, stator & terminal (Item 14) are preassembled at the factory and must be replaced as a unit. Stator is permanently attached to motor housing. Plug, test (Item 8) and seal, thru wall terminal (Item 7) are replaceable.
- 2) When ordering motor housing, bearing, stator and terminal, or rotor and bearing, specify either GE or Emerson motor.
- 3) See FM0160 parts price sheet for listing of parts prices.
- 4) "N/A" indicates not applicable.

REPLACEMENT PARTS ILLUSTRATION FOR MODEL "I139"



SK2609

REPLACEMENT PARTS LIST FOR MODELS "F, G & J139"

See page 16 for illustration.

REF. NO.	DESCRIPTION	QTY	NOTES	MODELS:		
				F139-B	G139-B	J139-B
				10/92 thru 4/19	10/92 thru 4/19	10/92 thru 4/19
1	COVER & HANDLE ASM	1		002599	002599	002599
2	• HANDLE	1		267032	267032	267032
3	COVER & GASKET/NA	1		015748	015748	015748
4	• GASKET, CASE/COVER	1		267007	267007	267007
5	HOUSING, MTR & STR	1	1 & 2	015753	015752	015751
6	BEARING, UPPER ROTOR	1		N/A	N/A	N/A
7	CLAMP, STRAIN RELIEF	1		001770	001770	001770
8	CORDAGE TERM & SEAL/15'	1		003761	003761	003761
9	• SEAL, CORD-ASM & STRAIN RELIEF	1		011656	011656	011656
10	• PLUG, TEST	2		034090	034090	034090
11	• SEAL, THRU WALL TERM	3		003402	003402	003402
12	RETAINER, HDL-NA	2		267053	267053	267053
13	• SCREW, #10-24X.375 RHM-SL SS	3		001883	001883	001883
14	• SCREW, .25-20X.75 HHM-SS	9		001916	001916	001916
15	ROTOR ASM	1	2	009506	009506	009506
16	• WASHER, TRST-NYL	1		002140	002140	002140
17	• SEAL, MTR HSG	1		267006	267006	267006
18	• OIL, DIELECTRIC (24.5 OZ)	1		267056	267056	267056
19	HOUSING, PUMP-MACH	1		139018	139018	139018
20	• SEAL ASM, SHAFT	1		267027	267027	267027
21	IMPELLER 3PH "139"	1		015749	015749	015749
22	BASE-MACH	1		139002	139002	139002
23	• SCREW, #6-32X.25RHM SL TC STLGR	3		001877	001877	001877
24	BEARING, SLEEVE-LOWER ROTOR	1		N/A	N/A	N/A
25	STRAINER PLATE	1		137008	137008	137008
26	• SCREW, SEM/10-24X.375 HH-SL TC.688WASH	2		002000	002000	002000
27	NUT 5/16-24 ACORN	1		004348	004348	004348
28	• SCREW, .25-20X.875"LG HH SS	4		012491	012491	012491
□	REBUILD KIT 3PH "139"	1		009508	009508	009508

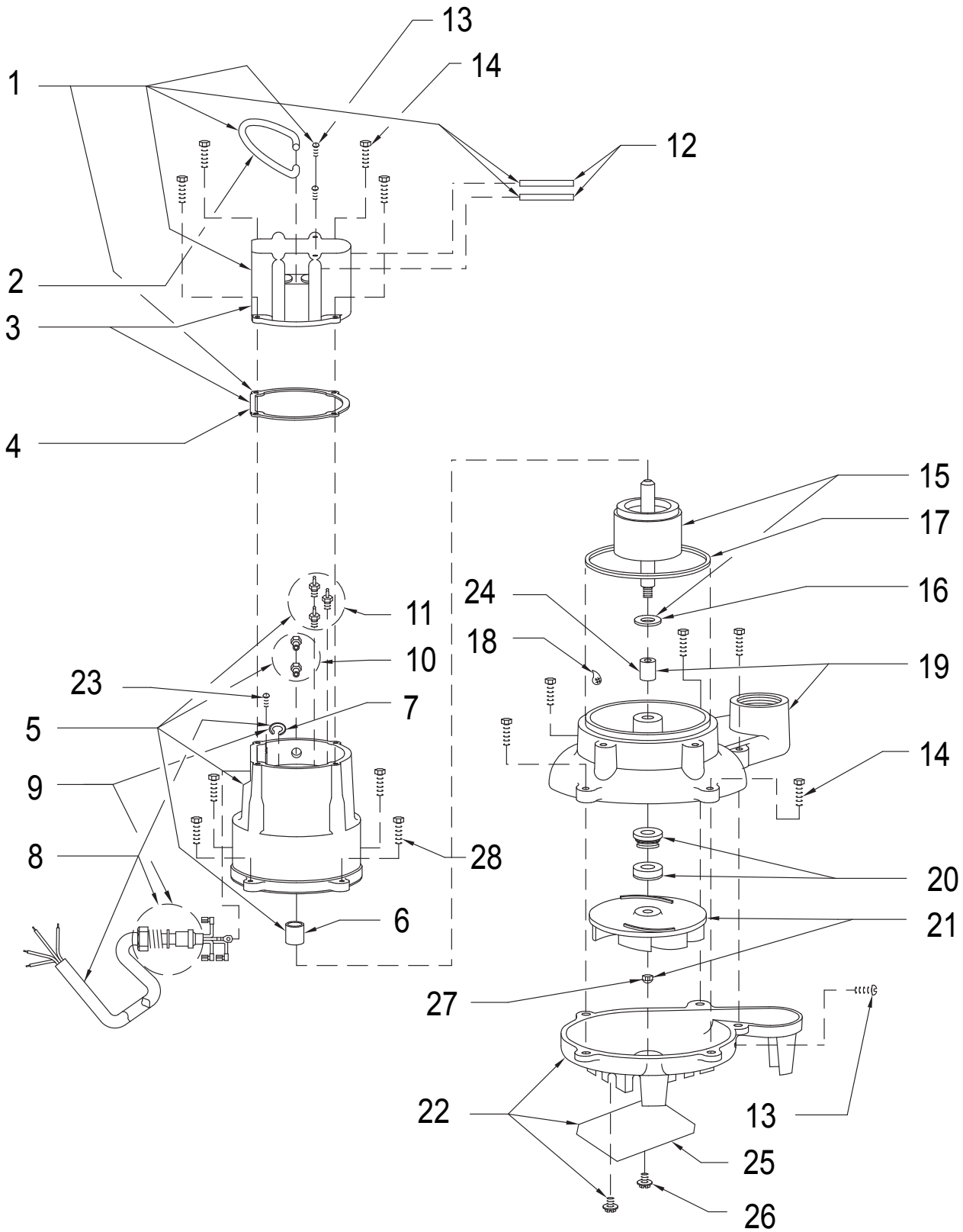
• Items included in Rebuild Kit.

□ Not shown in illustration.

NOTES:

- 1) Motor housing, bearing, stator & terminal (Item 5) are preassembled at the factory and must be replaced as a unit. Stator is permanently attached to motor housing. Plug, test (Item 10) and seal, thru wall terminal (Item 11) are replaceable.
- 2) When ordering motor housing, bearing, stator and terminal, or rotor and bearing, specify either GE or Emerson motor.
- 3) See FM0160 parts price sheet for listing of parts prices.
- 4) "N/A" indicates not applicable.

REPLACEMENT PARTS ILLUSTRATION FOR MODELS "F, G & J139"



SK2617



MAIL TO: P.O. BOX 16347 • Louisville, KY 40256-0347
 SHIP TO: 3649 Cane Run Road • Louisville, KY 40211-1961
 (502) 778-2731 • 1 (800) 928-PUMP • FAX (502) 774-3624

Trusted. Tested. Tough.®

Visit our website:
zoellerpumps.com