

Product information presented here reflects conditions at time of publication. Consult factory regarding discrepancies or inconsistencies.

MAIL TO: P.O. BOX 16347 • Louisville, KY 40256-0347  
 SHIP TO: 3649 Cane Run Road • Louisville, KY 40211-1961  
 TEL: (502) 778-2731 • 1 (800) 928-PUMP • FAX: (502) 774-3624

Visit our website:  
 zoellerpumps.com

## REPLACEMENT PARTS LIST FOR MODELS:

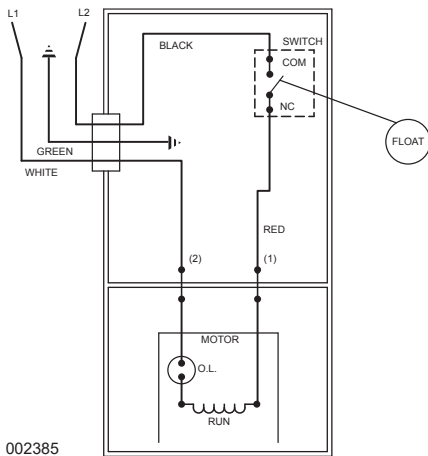
M59 AUTOMATIC 115V  
 D59 AUTOMATIC 230V  
 N59 NONAUTOMATIC 115V  
 E59 NONAUTOMATIC 230V

Consult factory for all other models.

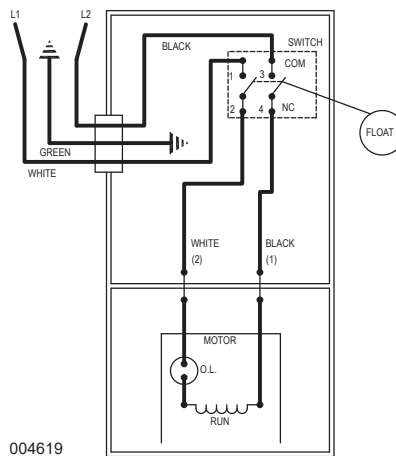
### TO ORDER REPLACEMENT PARTS:

#### PLEASE FURNISH THE FOLLOWING INFORMATION:

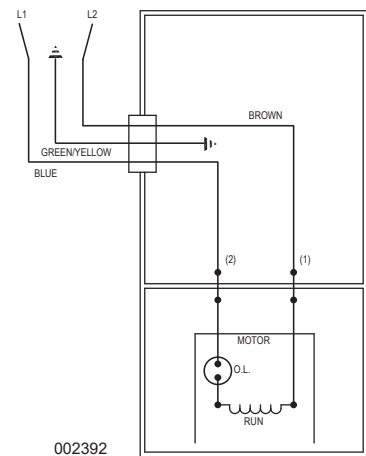
- Model Number.
- Part Number of Pump.  
 (If manufactured prior to June 1988, give 2 letter date code following Model No.)
- Part Number and Description of part.



WIRING DIAGRAM FOR MODELS  
 "M59-A" and "M59-B"  
 "D59-A" and "D59-B"  
 8/80 (UJ) thru 8/86 (US)



WIRING DIAGRAM FOR MODELS  
 "M59-C", "M59-D" and "M59-E"  
 "D59-C", "D59-D" and "D59-E"  
 9/86 (VS) thru Current



WIRING DIAGRAM FOR MODELS  
 "N59", "N59-A", "N59-B", "N59-C", "N59-D"  
 "E59", "E59-A", "E59-B", "E59-C", "E59-D"  
 8/80 (UJ) thru Current

# REPLACEMENT PARTS LIST FOR MODELS "M59" and "D59".

See back page for "M59" and "D59" illustration

REF NO.	DESCRIPTION	QTY	NOTES	MODELS:					D59-A	D59-B	D59-C	D59-D	D59-E
				M59-A	M59-B	M59-C	M59-D	M59-E	8/80 UJ thru 12/80 YJ	1/81 MM thru 8/86 US	9/86 VS thru 8/87 UT	9/87 VT thru 6/92	7/92 thru Current
1	• Gasket,Case/Cover	1		034046	034046	034046	034046	034046	034046	034046	034046	034046	034046
2	• Clamp,Strain Relief-#2F	1		001770	001770	001770	001770	001770	001770	001770	001770	001770	001770
3	• Seal,Cord-Asm	1	1	054025	002326	004322	004322	004322	054025	002326	004322	004322	004322
4	Cord Term & Seal	1	1	054026	002321	004700	004700	004700	054057	002320	004707	004707	004707
5	Stator Regal-Beloit	1		054040	054040	054040	054040	007951	N/A	N/A	N/A	N/A	007952
6	• Screw,#8-32 X 2.563 RHPI-Stlbo	2		001914	001914	001914	001914	001914	001914	001914	001914	001914	001914
7	Rotor Asm Regal-Beloit	1		054032	054032	054032	054032	054032	054032	054032	054032	054032	054032
8	• Seal,Mtr Hsg	1		034007	034007	034007	034007	034007	034007	034007	034007	034007	034007
9	• Washer,Trst-Nyl.875X.504X.050"	1		002140	002140	002140	002140	002140	002140	002140	002140	002140	002140
10	Bearing, Sleeve-Lower Rotor	1		054024	054024	054024	054024	054024	054024	054024	054024	054024	054024
11	• Oil,Dielectric-(19 Oz Can)	1		002588	002588	002588	002588	002588	002588	002588	002588	002588	002588
12	Housing,Pump-Mach	1		059005	059005	059005	059005	059005	059005	059005	059005	059005	059005
13	• Seal Asm,Shaft-Blister Pak	1		267027	267027	267027	267027	267027	267027	267027	267027	267027	267027
14	Impeller Br "59"	1		059001	059001	059001	059001	059001	059001	059001	059001	059001	059001
15	Base Asm Br	1		059009	059009	059009	059009	059009	059009	059009	059009	059009	059009
16	Plate,Strainer-Plastic	1	1	001082	001082	001082	N/A	N/A	001082	001082	001082	N/A	N/A
17	Case Handle & Arm Asm "50"	1		056092	056092	004714	004714	004714	056093	056093	004714	004714	004714
18	Case & Switch "50"	1	1,5	056051	056051	004711	004711	004711	056053	056053	004711	004711	004711
19	• Plug,Test-White	2		034090	034090	034090	034090	034090	034090	034090	034090	034090	034090
20	• Arm & Seal Asm "50"	1	1	054080	004704	004704	004704	004704	054080	004704	004704	004704	004704
21	Guard "97"	1	1	034016	034016	004645	004645	004645	034016	034016	004645	004645	004645
22	Switch Asm "50"	1	1	034061	034061	004705	004705	004705	034061	034061	004705	004705	004705
□	Wire Asm-F-P(1)Wire Rs2.25"Lg	1		002231	002231	N/A	N/A	N/A	002231	002231	N/A	N/A	N/A
23	• Seal,Thru Wall Term	2		003402	003402	003402	003402	003402	003402	003402	003402	003402	003402
24	Housing,Mtr-Brg&Term Br "50"	1		059008	002517	004713	004713	004713	059008	002517	004713	004713	004713
25	Bearing,Upper Rotor	1		034052	034052	034052	034052	034052	034052	034052	034052	034052	034052
26	Float-Polypropylene	1		034019	034019	034019	034019	034019	034019	034019	034019	034019	034019
27	Rod Asm,Fit	1		054062	054062	054062	054062	054062	054062	054062	054062	054062	054062
28	Guide Asm,Fit Rod	1		034086	034086	034086	034086	034086	034086	034086	034086	034086	034086
29	• Screw,#10-24 X.75 RHM-SI SS	12		001885	001885	001885	001885	001885	001885	001885	001885	001885	001885
30	• Screw,#6-32x.438RHsltp"1"Stlzi	3		001877	001877	001877	001877	001877	001877	001877	001877	001877	001877
31	• Screw,#6-32x.25RHM SI Tc Stlgr	2		001877	001877	004644	004644	004644	001877	001877	004644	004644	004644
32	• SSem,10-24x.375HH-SI Tc.688Wash	3		002000	002000	002000	002000	002000	002000	002000	002000	002000	002000
□	Rebuild Kit "59"	1		057059	057059	004716	004716	004716	057059	057059	004716	004716	004716

• Items included in Rebuild Kit.

□ Not Shown in Illustration.

**NOTES:**

- 1) To insure proper replacement, customer must identify if switch is a General Electric switch.
- 2) See FM0160 Parts Price Sheet for listing of parts prices.
- 3) "NA" indicates, not applicable.
- 4) If an "X" follows Model No., or Date Mfg. on brass ID tag, consult factory for ordering any parts.
- 5) For pumps with date code prior to 9/86, the replacement case & switch will have a new style switch.

# REPLACEMENT PARTS LIST FOR MODELS "N59" and "E59".

See back page for "N59" and "E59" illustration.

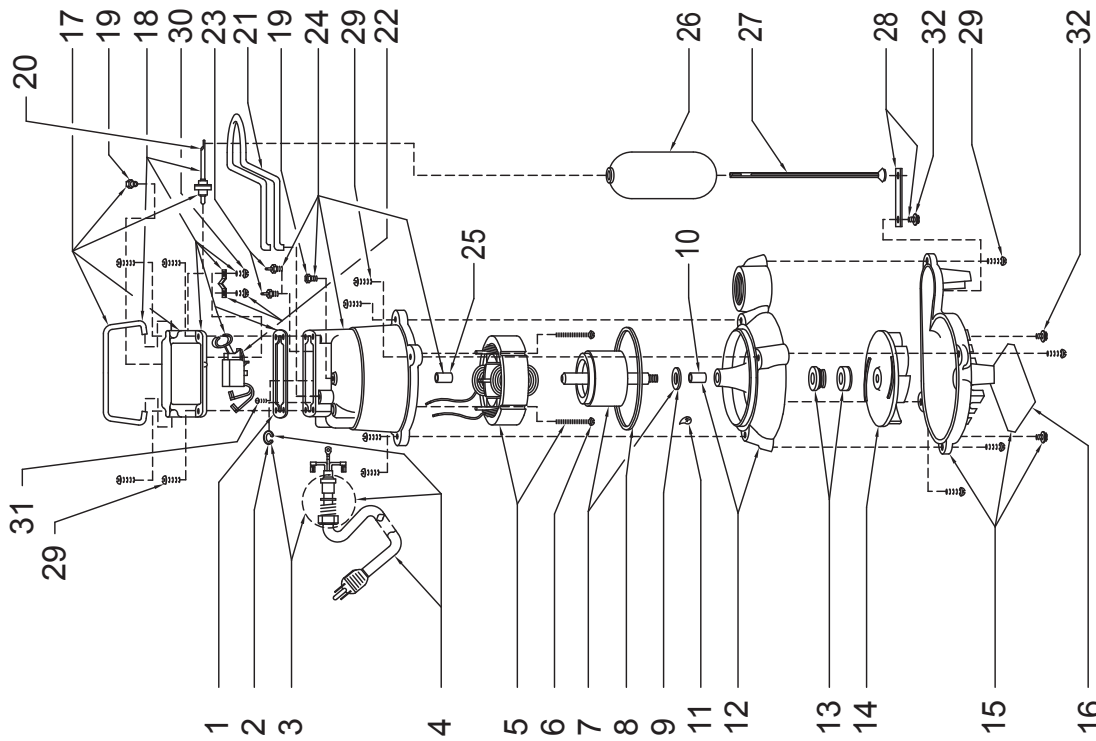
REF NO.	DESCRIPTION	QTY	NOTES	MODELS:									
				N59	N59-A	N59-B	N59-C	N59-D	E59	E59-A	E59-B	E59-C	E59-D
1	• Gasket,Case/Cover	1		8/80 UJ thru 12/80 YJ	1/81 MM thru 8/86 US	9/86 VS thru 8/87 UT	9/87 VT thru 6/92	7/92 thru Current	8/80 UJ thru 12/80 YJ	1/81 MM thru 8/86 US	9/86 VS thru 8/87 UT	9/87 VT thru 6/92	7/92 thru Current
2	• Seal,Cord-Asm	1		054025	002326	004322	004322	004322	054025	002326	004322	004322	004322
3	• Clamp,Strain Relief-#2F	1		001770	001770	001770	001770	001770	001770	001770	001770	001770	001770
4	Cord Term & Seal	1		054069	002319	004708	004708	004708	054069	002319	004708	004708	004708
5	Stator Regal-Beloit	1		054040	054040	054040	054040	007951	054050	N/A	N/A	N/A	007952
6	• Screw,#8-32 X 2.563 RHPI-Stlbo	2		001914	001914	001914	001914	001914	001914	001914	001914	001914	001914
7	Rotor Asm Regal-Beloit	1		054032	054032	054032	054032	054032	054032	054032	054032	054032	054032
8	• Seal,Mtr Hsg	1		034007	034007	034007	034007	034007	034007	034007	034007	034007	034007
9	• Washer,Trst-Nyl.875X.504X.050"	1		002140	002140	002140	002140	002140	002140	002140	002140	002140	002140
10	Bearing,Sleeve-Lower Rotor	1		054024	054024	054024	054024	054024	054024	054024	054024	054024	054024
11	• Oil,Dielectric-(19 Oz Can)	1		002588	002588	002588	002588	002588	002588	002588	002588	002588	002588
12	Housing,Pump-&Brg Mach Br	1		059005	059005	059005	059005	059005	059005	059005	059005	059005	059005
13	• Seal Asm,Shaft-Blister Pak	1		267027	267027	267027	267027	267027	267027	267027	267027	267027	267027
14	Impeller Br "59"	1		059001	059001	059001	059001	059001	059001	059001	059001	059001	059001
15	Base Asm Br	1		059009	059009	059009	059009	059009	059009	059009	059009	059009	059009
16	Plate,Strainer-Plastic	1		001082	001082	001082	NA	NA	001082	001082	001082	NA	NA
17	Cover & Handle Br "50"	1		036067	036067	036067	036067	036067	036097	036097	036097	036097	036097
18	• Plug,Test-White	2		034090	034090	034090	034090	034090	034090	034090	034090	034090	034090
19	• Seal,Thru Wall Term	2		003402	003402	003402	003402	003402	003402	003402	003402	003402	003402
20	Housing,Mtr-Brg&Term Br "50"	1		059008	002517	004713	004713	004713	059008	002517	004713	004713	004713
21	Bearing,Upper Rotor	1		034052	034052	034052	034052	034052	034052	034052	034052	034052	034052
22	• Screw,#10-24 X.75 RHM-SI SS	12		001885	001885	001885	001885	001885	001885	001885	001885	001885	001885
23	• Screw,#6-32x.25RHM SI Tc Stlgr	1		001877	001877	001877	001877	001877	001877	001877	001877	001877	001877
24	• Sem,10-24x.375HH-SI Tc.688Wash	3		002000	002000	002000	002000	002000	002000	002000	002000	002000	002000
□	Rebuild Kit	1		057059	057059	004716	004716	004716	057059	057059	004716	004716	004716

- Items included in Rebuild Kit.
- Not Shown in Illustration

## NOTES:

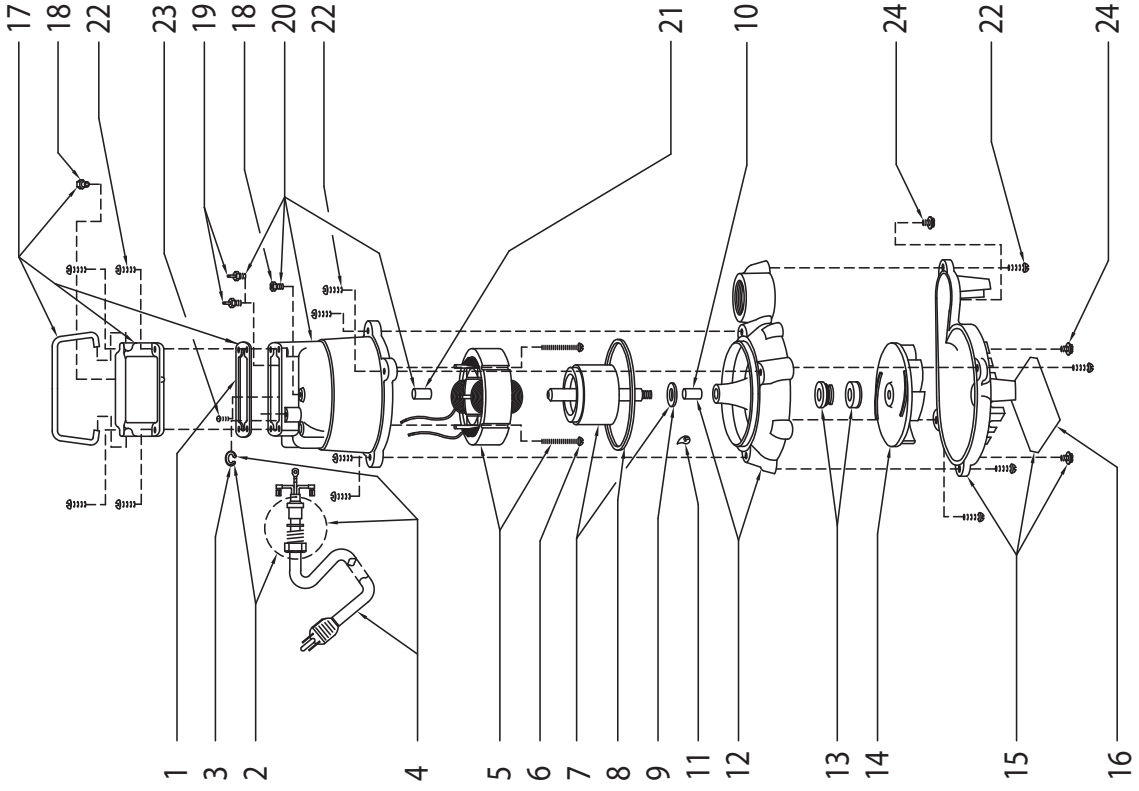
- 1) See FM0160 Parts Price Sheet for listing of parts prices.
- 2) "NA" indicates, not applicable.
- 3) If an "X" follows Model No., or Date Mfg. on brass ID tag, consult factory for ordering any parts.

**REPLACEMENT PARTS ILLUSTRATION FOR MODELS "M59" AND "D59"**



SK273

**REPLACEMENT PARTS ILLUSTRATION FOR MODELS "N59" AND "E59"**



SK609