

Trusted. Tested. Tough®

Product information presented here reflects conditions at time of publication. Consult factory regarding discrepancies or inconsistencies.



Visit our website:  
[www.zoellerpumps.com](http://www.zoellerpumps.com)

Register your Zoeller Pump Company Product on our website: <http://reg.zoellerpumps.com/>



## QWIK JON® CHOICE 200 SYSTEM INSTALLATION INSTRUCTIONS PREINSTALLATION CHECKLIST

1. Inspect all materials. Occasionally, products are damaged during shipment. If the unit is damaged, contact your dealer before using. **DO NOT** remove the test plugs from the pump.
2. Carefully read all the literature provided to familiarize yourself with specific details regarding installation and use. These materials should be retained for future reference.



### **WARNING**

SEE BELOW FOR LIST OF WARNINGS

1. To reduce the risk of electrical shock, a properly grounded receptacle or control box must be installed in accordance with the governing codes. Never remove ground pin from plug.
2. Make certain that the ground fault interrupter protected receptacle or control box is within the reach of the pump's power supply cord. **DO NOT USE AN EXTENSION CORD.** Extension cords that are too long or too light do not deliver sufficient voltage to the pump motor, and they could present a safety hazard if the insulation were to become damaged or the connection end were to fall into a damp or wet area.
3. Make sure the pump's electrical supply circuit is equipped with fuses or circuit breakers of proper capacity. A separate branch circuit is recommended, sized according to the governing electrical codes for the current shown on the pump name plate.
4. **Testing for ground.** As a safety measure, each electrical outlet should be checked for ground using an Underwriters Laboratory Listed circuit analyzer which will indicate if the power, neutral and ground wires are correctly connected to your outlet. If they are not, call a qualified licensed electrician.
5. **FOR YOUR PROTECTION, ALWAYS DISCONNECT PUMP FROM ITS POWER SOURCE BEFORE HANDLING.** If pump is wired direct, de-energize the circuit at the control box. **DO NOT, UNDER ANY CIRCUMSTANCES, REMOVE THE GROUND PIN.** Wear insulated protective shoes and do not stand in water. Certain plug types may include a 3-prong ground plug to help protect against electrical shock. A properly grounded 3-prong receptacle or control box must be installed in accordance with governing codes.
6. Installation and servicing of the pump's electrical circuits and hardware should only be performed by a qualified licensed electrician.
7. Installation and maintenance of this appliance is not intended for persons (including children) with reduced physical, sensory or mental capabilities, or lack of experience or knowledge, unless they have been given supervision or instruction concerning use of the appliance by a person responsible for their safety.
8. **Risk of electrical shock.** Do not remove power supply cord and strain relief or connect conduit directly to the pump. If the supply cable is damaged, it must be replaced by an authorized Zoeller Representative.
9. Pump contains oil which becomes pressurized and hot when operating. Allow 2-1/2 hours after disconnecting before attempting service.
10. Pump is not intended for potable water due to possible contamination by oil contained in the pump.
11. **Risk of electrical shock.** These pumps have not been investigated for use in swimming pools and marine areas.

## SAFETY INSTRUCTIONS

**TO AVOID SERIOUS OR FATAL PERSONAL INJURY OR MAJOR PROPERTY DAMAGE, READ AND FOLLOW ALL SAFETY INSTRUCTIONS IN THIS MANUAL AND ON THE PUMP.**

**THIS MANUAL IS INTENDED TO ASSIST IN THE INSTALLATION AND OPERATION OF THIS UNIT AND MUST BE KEPT WITH THE PUMP.**



This is a **SAFETY ALERT SYMBOL.** Symbol on the pump or in the manual, look for one of the following signal words and be alert to the potential for personal injury or property damage.



**WARNING** Warns of hazards that **CAN** cause serious personal injury, death or major property damage.



**CAUTION** Warns of hazards that **CAN** cause personal injury or property damage.



Warns of electrical shock hazards that can cause serious personal injury, death or major property damage.



Identifies any terminal which is intended for connection to an external conductor for protection against electrical shock in case of a fault, or the terminal of a protective earth (ground) electrode.



Read operator's manual.

**THOROUGHLY REVIEW ALL INSTRUCTIONS AND WARNINGS PRIOR TO PERFORMING ANY WORK ON THIS PUMP. MAINTAIN ALL SAFETY DECALS.**

REFER TO WARRANTY ON PAGE 2.

## **CAUTION**

### SEE BELOW FOR LIST OF CAUTIONS

1. This unit is not designed to handle any material other than human waste and toilet paper. The list of items that should not be used with this system includes, but is not limited to: feminine sanitary products, condoms, cotton balls and swabs, baby wipes, paper towels, etc.
2. Check to be sure your power source is adequate to handle the amperage requirements of the motor as indicated on the pump or unit I.D. tag.
3. All plumbing (discharge and carbon filter vent) must be installed to meet local codes. **Unit must be vented. Do not use an automatic plumbing vent device.**
4. Maximum operating temperature must not exceed 40 °C (104 °F).
5. Do not use cleaning products containing bleach in the toilet tank, toilet or attached fixtures as they will degrade the pump seals.
6. **This product is designed for use with one toilet only.**
7. Conductor color coding: Type 1 - Line (Brown), Neutral (Blue), Ground (Yellow / Green). Type 2 - Line (Black), Neutral (White), Ground (Green).
8. Electrical control box or electrical box are waterproof required.
9. Prop65 Warning for California residents: Cancer and Reproductive Harm-  
[www.P65Warnings.ca.gov](http://www.P65Warnings.ca.gov).

## **NOTES**

### SEE BELOW FOR LIST OF NOTES

1. Repair and service should be performed by an Authorized Service and Warranty Center only. (Consult Factory.)
2. NOTE: Consult Factory if installation is above 20' (6.1 m) vertical height in 1" (DN25). The macerator pump is designed for use in Qwik Jon® Choice units only. It is not designed for use in any other application.
3. Pumps with the "cCSAus" mark and/or the "US" mark are tested to UL Standard UL778. Pumps with the "cCSAus" mark are certified to CSA Standard C22.2 No.108.
4. All fixtures connecting to the system must be on the same floor level.

## **LIMITED WARRANTY**

Manufacturer warrants, to the purchaser and subsequent owner during the warranty period, every new product to be free from defects in material and workmanship under normal use and service, when properly used and maintained, for a period of one year from date of purchase by the end user, or 18 months from date of original manufacture of the product, whichever comes first. Proof of purchase is required. Parts that fail within the warranty period, one year from date of purchase by the end user, or 18 months from the date of original manufacture of the product, whichever comes first, that inspections determine to be defective in material or workmanship, will be repaired, replaced or remanufactured at Manufacturer's option, provided however, that by so doing we will not be obligated to replace an entire assembly, the entire mechanism or the complete unit. Fill and flush mechanism are guaranteed as per OEM warranty only and vitreous china are guaranteed only for a factory defect. No allowance will be made for shipping charges, damages, labor or other charges that may occur due to product failure, repair or replacement. This warranty does not apply to and there shall be no warranty for any material or product that has been disassembled without prior approval of Manufacturer, subjected to misuse, misapplication, neglect, alteration, accident or uncontrolled weather event; that has not been installed, operated or maintained in accordance with Manufacturer's installation instructions; that has been exposed to outside substances including but

not limited to the following: sand, gravel, cement, mud tar, hydrocarbons, hydrocarbon derivatives (oil, gasoline, solvents, etc.), or other abrasive or corrosive substances, wash towels or any other abusive entity, etc. in all pumping applications. The warranty set out in the paragraph above is in lieu of all other warranties expressed or implied; and we do not authorize any representative or other person to assume for us any other liability in connection with our products.

Contact authorized distributors to obtain any needed repair or replacement of part(s) or additional information pertaining to our warranty.

**MANUFACTURER EXPRESSLY DISCLAIMS LIABILITY FOR SPECIAL, CONSEQUENTIAL OR INCIDENTAL DAMAGES OR BREACH OF EXPRESSED OR IMPLIED WARRANTY; AND ANY IMPLIED WARRANTY OF FITNESS FOR A PARTICULAR PURPOSE AND OF MERCHANTABILITY SHALL BE LIMITED TO THE DURATION OF THE EXPRESSED WARRANTY.**

Some jurisdictions do not allow limitations on the duration of an implied warranty, so the above limitation may not apply to you. Some jurisdictions do not allow the exclusion or limitation of incidental or consequential damages, so the above limitation or exclusion may not apply to you. This warranty gives you specific legal rights and you may also have other rights which vary from jurisdiction to jurisdiction.

**In those instances where damages are incurred as a result of an alleged pump failure, the Homeowner must retain possession of the pump for investigation purposes.**

## **HELPFUL HINTS FOR EASY INSTALLATION**

1. Read all instructions before beginning installation.
2. Be sure the floor is level within 3 mm (1/8").
3. Install vent pipe seal with flange side of seal on the outside of lid.
4. Use soapy water to lubricate all seals to aid installation.
5. Install rubber coupling/union in vent line to aid disassembly.
6. Do not over torque toilet mounting screws.
7. Do not use an automatic plumbing vent device.
8. Obtain model number and date code, and record information in the space provided on the front of this manual. Refer to this information when calling the factory.

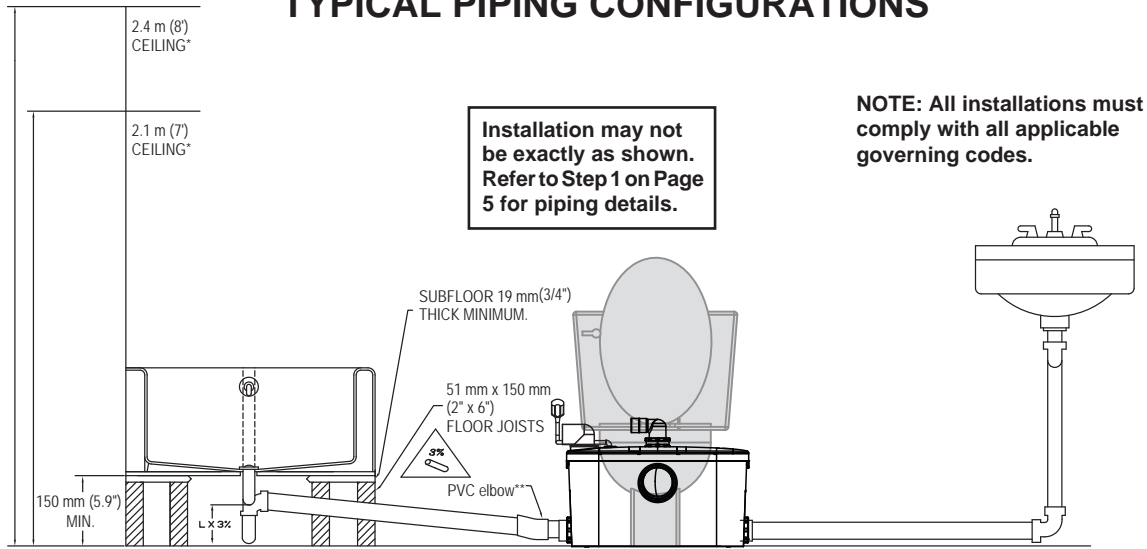
## **DO'S AND DON'T'S FOR INSTALLING A UNIT**

1. DO read all installation material with the unit.
2. DO inspect unit for any visible damage caused by shipping. Contact dealer if unit appears to be damaged.

## **DO'S AND DON'T'S, *continued***

3. DO clean all visible debris from the unit.
4. DO always disconnect pump from power source before handling. DO always connect to a separately protected and properly grounded ground fault protected circuit. DO NOT ever cut, splice or damage power cord. DO NOT carry or lift pump by its power cord. DO NOT use an extension cord.
5. DO install a ball or gate valve and a union in the discharge line downstream of the check valve.
6. DO test pump immediately after installation to be sure that the system is working properly.
7. DO review all applicable local and national codes and verify that the installation conforms to each of them.
8. We DO NOT recommend this product be connected to utilities other than those found in a normal bathroom application. Washing machines and dishwashers are examples of equipment that we DO NOT recommend.
9. DO inspect and test system for proper operations at least every 3 months.

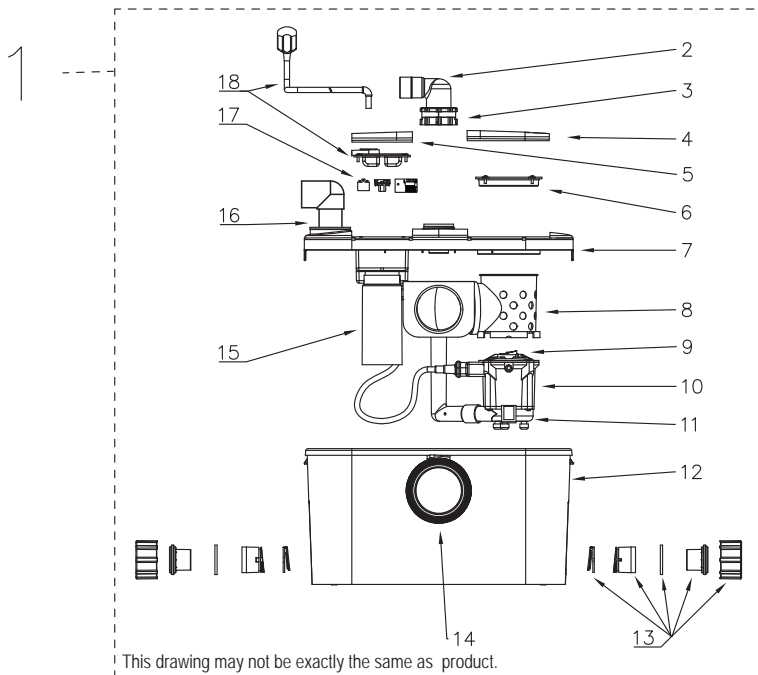
# TYPICAL PIPING CONFIGURATIONS



\*Ceiling heights shown for reference only. \*\*Option: hose with clamp.

EA0146

## SERVICE PARTS



This drawing may not be exactly the same as product.

Item	Description	50 Hz Repair Kit or Part Number
1	Qwik Jon® Choice Sewage Removal System	200-0009
2	Outlet Pipe Assembly Repair Kit	084839
3	Check Valve Assembly Repair Kit	084854
4	Decorative Cover of the Pump Repair Kit	084855
5	Decorative Cover of the Junction Box Repair Kit	085296
6	Pump Repair Cover Repair Kit	084846
7	Tank Cover Repair Kit	084847
8	Filter Basket and Inlet Elbow Pipe Repair Kit	084848
9	Cutter Set Repair Kit	084844
10	Pump, Discharge Elbow Pipe, and Volute Repair Kit	084849
11	Volute, Discharge Elbow Pipe, Foot Pads, Securing Pads, and Screws Repair Kit	084850
12	Tank Repair Kit	084851
13	Side Inlet Valve Repair Kit	085176
14	Bellow Repair Kit	084840
15	Float Repair Kit	084841
16	Vent Valve Repair Kit	084858
17	Common Mode Choke, Capacitor and Circuit Board Repair Kit	085289
18	Junction Box Repair Kit	085186

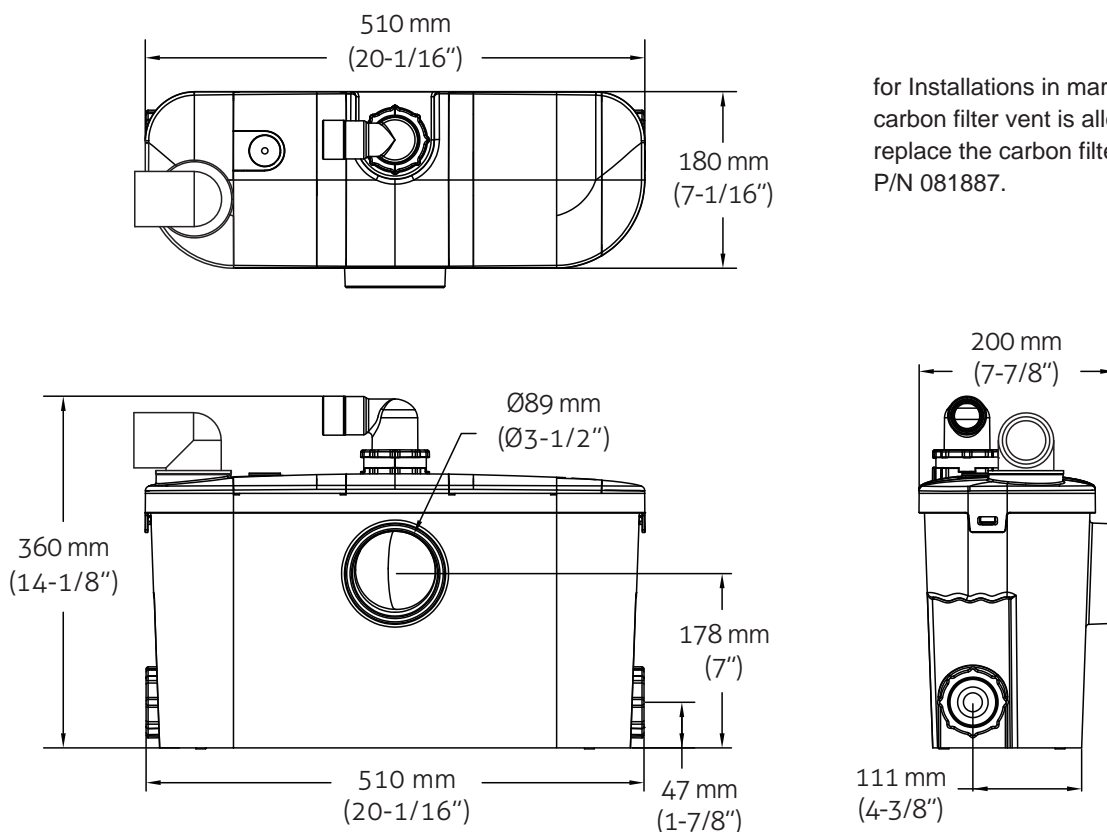
# TROUBLESHOOTING

CONDITION	POSSIBLE CAUSE	REMEDY
<b>A. PUMP WILL NOT START OR RUN.</b>	Low voltage, open circuit, failed capacitor.	Have a qualified electrician check the circuit.
	Impeller bound and cutter bound.	Contact a Zoeller Authorized Service and Warranty Center.
	Motor or wiring shorted.	
	Debris on float switch.	Remove debris.
<b>B. PUMP WILL NOT SHUT OFF OR RUNS TOO LONG BEFORE WATER IS PUMPED.</b>	Debris under float.	Remove debris from around float.
	Faulty float switch	Contact a Zoeller Authorized Service and Warranty Center.
	Pump is air locked.	Make sure vent hole in discharge pipe is clear.
	Waste material has accumulated blocking flow of material to pump intake.	Hold flush handle down on toilet for 15 seconds. If unit will not clear, unplug and wait for 30 minutes. Plug unit back in and repeat. If unit still will not turn off, it will need to be opened and the debris removed.
<b>C. PUMP OPERATES BUT DELIVERS LITTLE OR NO WATER</b>	Debris around intake.	Clean area around intake.
	Blockage in discharge pipe.	Remove pipe and flush out debris.
	Low or incorrect voltage.	Have a qualified electrician check house wiring.
	Damaged Impeller.	Contact a Zoeller Authorized Service and Warranty Center.
	Incorrect float adjustment.	Contact Product Support Department.
	Pump is air locked.	Make sure vent hole in discharge pipe is clear.
	Vertical lift too high.	Change discharge piping or contact Product Support Department.

If the above checklist does not solve the problem, consult the Zoeller Product Support Department by [sales@zoeller.com.tw](mailto:sales@zoeller.com.tw). Do not attempt to service or otherwise disassemble pump.

Care of finish: soap and water is all that is recommended for cleaning the outside of the tank. Other cleaning products may cause discoloration and scratching.

## DIMENSIONS



for Installations in markets where a carbon filter vent is allowed, please replace the carbon filter periodically, P/N 081887.

## STEP 1

## LOCATION SELECTION

Plan your new installation carefully.

**Floor:** The floor should be structurally sound and level within 3 mm (1/8"). If the floor is not level, use hydraulic cement or similar material to level to the floor.

**Water:** A water supply will be needed to operate the toilet. Usually a DN15 (1/2") line with a shut-off valve is sufficient.

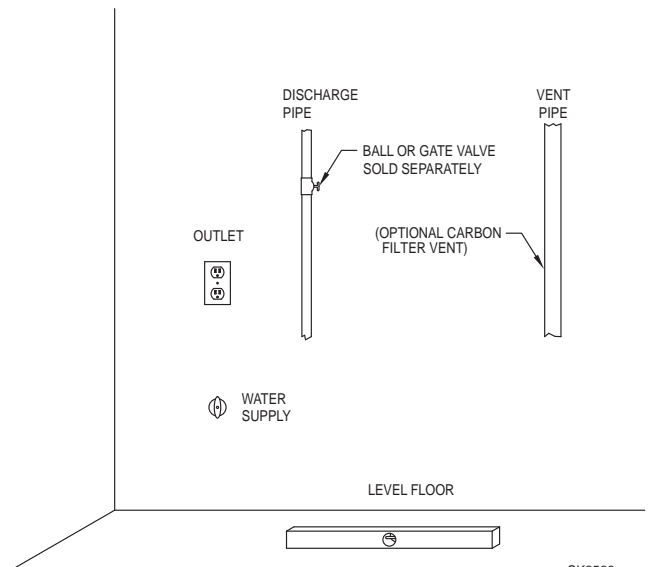
**Electrical:** A receptacle of the appropriate voltage will be needed to supply electrical power to the pump.

**Sewage:** Access to a sewage line is required. The Qwik Jon® Choice requires a DN25 (1") (or DN20 [3/4"] if local code allows it) sewage discharge line to connect to an existing sewage line. A ball or gate valve should be installed in the discharge line.

**Vent:** Access to a vent pipe is required in some markets. The use of a mechanical vent system is NOT recommended as the toilet will not flush.

**Optional carbon filter vent:** Please replace the carbon filter periodically. The use of a mechanical vent system is NOT recommended as the toilet will not flush.

**NOTE:** If a built-in installation is to be used, locate the pump unit in an area that will allow access to the pump and switch.



Always disconnect power source before attempting to install, service, or maintain the system.

Never handle a pump with wet hands or when standing on wet or damp surface or in water. Fatal electrical shock could occur.



QWIK JON® CHOICE  
MODEL 200

\*These drawings are for reference only. Exact components may differ by region.

## STEP 2

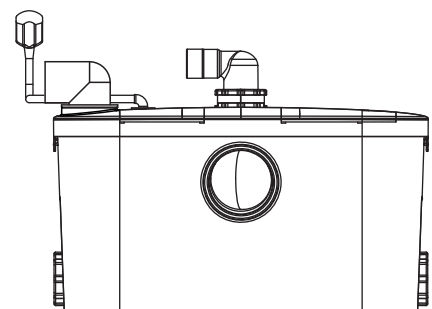
## LEVELING OF PUMP UNIT

### ▲ CAUTION

Do not use wooden shims to level the pump unit!

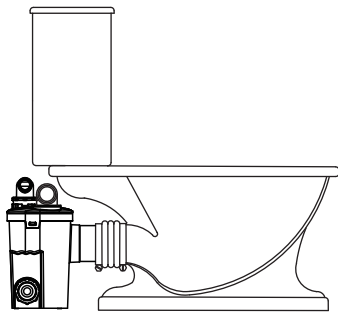
### ▲ CAUTION

Ensure that nails, screws or other sharp objects do not puncture the pump unit! Level the pump unit to within 3mm (1/8") using hydraulic cement or similar material.



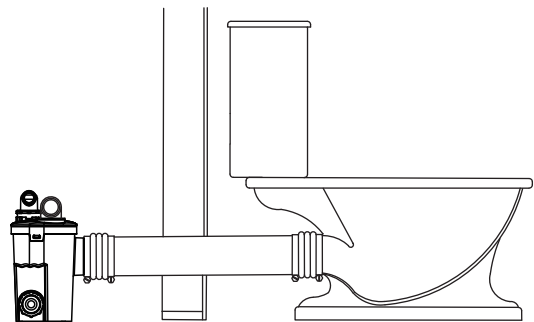
**(STAND-ALONE INSTALLATION)**

- 1) Position the pump unit a minimum of 3 mm (1/8") from the wall with the inlet facing away from the wall. Attach the bellows to the inlet using the worm drive clamp provided.
- 2) Place the toilet in front of pump unit aligning the discharge of the toilet with the inlet of the pump unit. Make sure that the bellows will bridge the gap adequately for final installation. The toilet tank should be a minimum of 13 mm (1/2") from the wall.
- 3) Lightly mark the locations of the pump unit, toilet and closet bolt locations on the floor. Lightly mark the wall with the height of the pump unit and the bottom and sides of the toilet tank to ensure against interference from pipe runs later.
- 4) Remove the toilet from the pump unit and set it aside.

**(BEHIND THE WALL INSTALLATION)**

- 1) Installing the pump unit behind a wall will require an extension kit (P/N 10-2123) sold separately.
- 2) Place the toilet assembly a minimum of 13 mm (1/2") from the wall and mark the closet bolt locations on the floor.
- 3) Measure the appropriate length of 3-1/2" Schedule 40 PVC pipe provided with the extension kit and cut it to length. See sketch below.
- 4) Set toilet aside.

**⚠ CAUTION** Toilet assembly is top heavy. Take special precautions to ensure that toilet does not tip over and break.



Connect the rear discharge toilet to the front inlet of the Qwik Jon® Choice via hose clamps. Ensure the connections are according to local, regional, and state codes.



\*These drawings are for reference only.  
Exact components may differ by region.

## STEP 4

## PIPING

- 1) Cut and dry-fit the pipe and fittings as required for DN25 (1") diameter discharge pipe (may be reduced to DN20 [3/4"] diameter if local code allows it.)
- 2) While dry-fitting the discharge pipe, position and mark the location of the pump unit discharge fitting.
- 3) Cut and dry-fit DN40 (1-1/2") vent pipe as required to ensure that the vent pipe does not interfere with other components. Make the connection to the pump unit with the provided street elbow. A 2" x 1" 90° discharge fitting has been provided. However, it may be easier to pipe straight up depending on the installation.

**CAUTION** Proper venting is required.

- 4) Temporarily set the toilet in place to check that there is no piping interference. Remove the toilet and set it aside.
- 5) Clean, prime and solvent weld the discharge piping and pump unit discharge fitting.

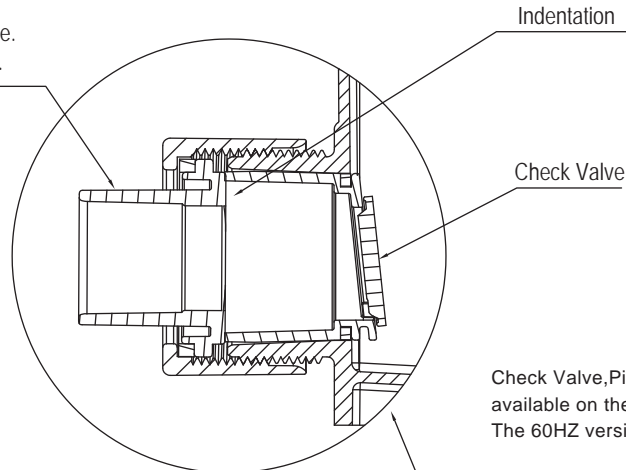
**CAUTION** When applying solvent weld to discharge fitting, ensure that none gets into the check valve assembly. Pay close attention to the proper alignment of the discharge fitting previously marked.

- 6) For markets requiring a pipe vent, clean and solvent weld the vent piping as required for proper venting.
- 7) Optional carbon filter vent:  
For markets where a carbon filter vent is allowed, please replace the carbon filter periodically to keep ventilation functioning properly.

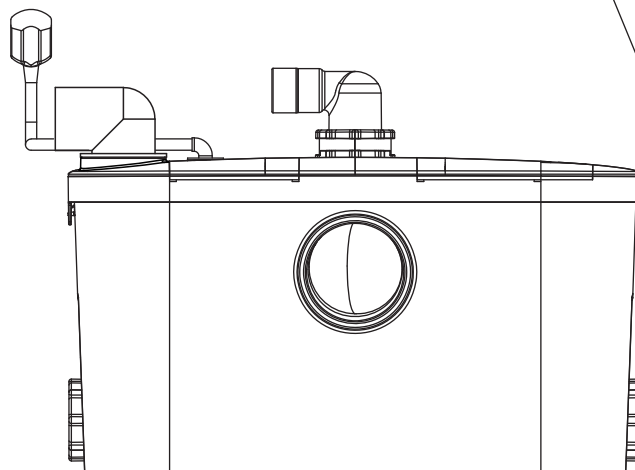
**Note:** Adding other bathroom fixtures - The Qwik Jon® Choice is designed to accept additional bathroom fixtures utilizing the two side inlets. Available for connecting DN25 (1") pipe. Simply reverse the pipe adaptor and cut out the molded-in plug at the provided indentation.

**CAUTION** Cut cleanly and remove burrs and rough edges to avoid the potential for clogging.

Available for connecting DN25 (1") pipe.  
Only need to reverse the pipe adapter.



Check Valve, Pipe Adapter, and Adapter Fitting not available on the 60HZ version.  
The 60HZ version utilizes 2"NPT female adapters.

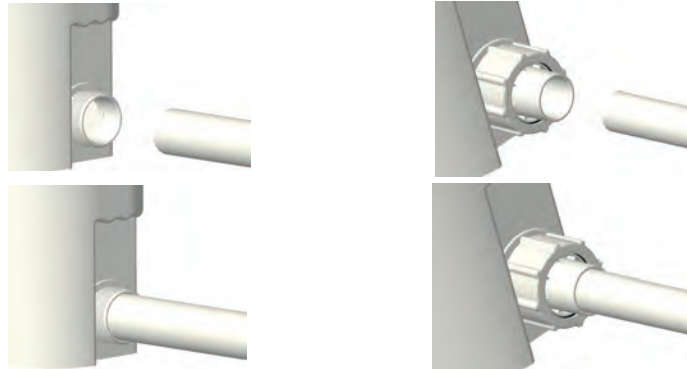


Cross Section of side inlet

Connect the desired discharge inlets to the side of the Qwik Jon® Choice. Notice the side inputs have built in check valves and are compatible with many tubing sizes. Ensure the connections are according to local, regional, and state codes.



\*These drawings are for reference only.  
Exact components may differ by region.



Connect the discharge pipe to the top of the Qwik Jon® Choice.



\*These drawings are for reference only.  
Exact components may differ by region.



Connect all the inlet piping to the Qwik Jon® Choice if desired



carbon filter



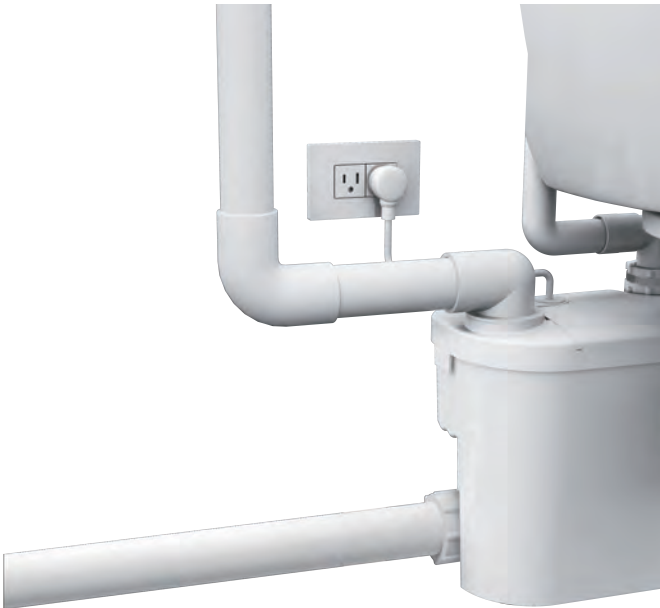
stack vent

\*These drawings are for reference only.  
Exact components may differ by region.

**STEP 5**

**POWER**

Plug the power cord into a wall socket to provide power to the unit.

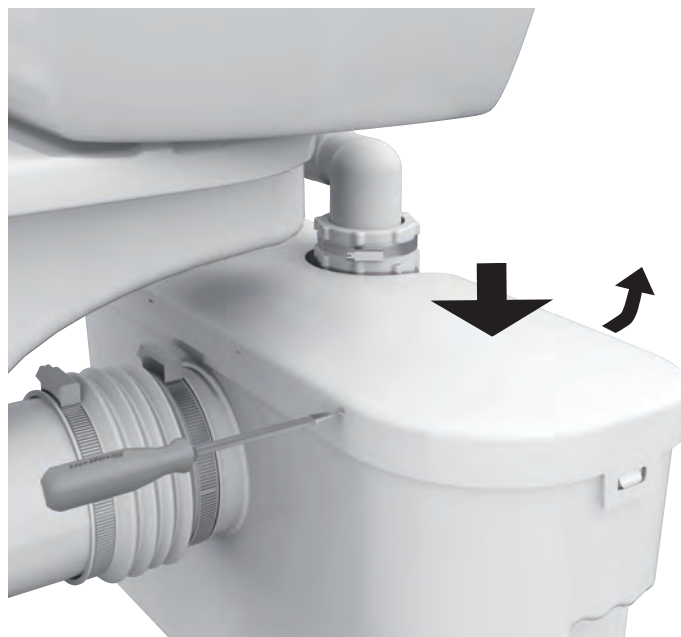


\*These drawings are for reference only.  
Exact components may differ by region.

**WARNING** - Mechanical and Electrical Hazard. **Disconnect power** prior to maintenance or opening. This equipment is only to be serviced and maintained by a qualified professional.



Pry the decorative cover open with a screw driver.  
Or press down on the center of the decorative cover and lift the side up.



Unscrew the protective lid of the macerating basket with a screw driver.



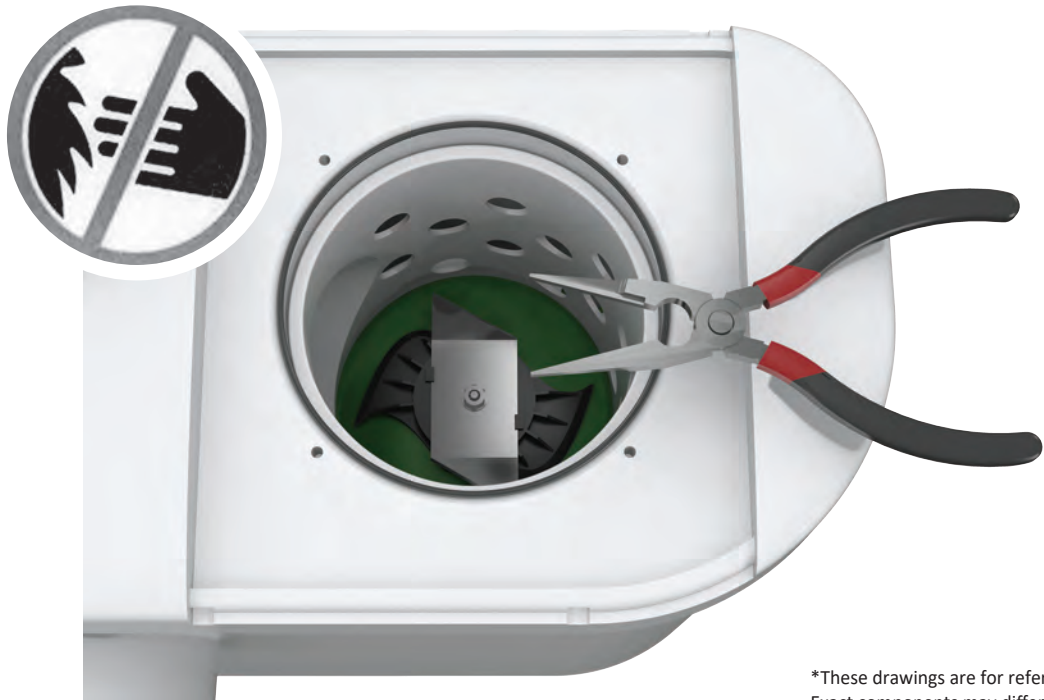
\*These drawings are for reference only.  
Exact components may differ by region.

Open the macerating basket by removing the protective lid.



\*These drawings are for reference only.  
Exact components may differ by region.

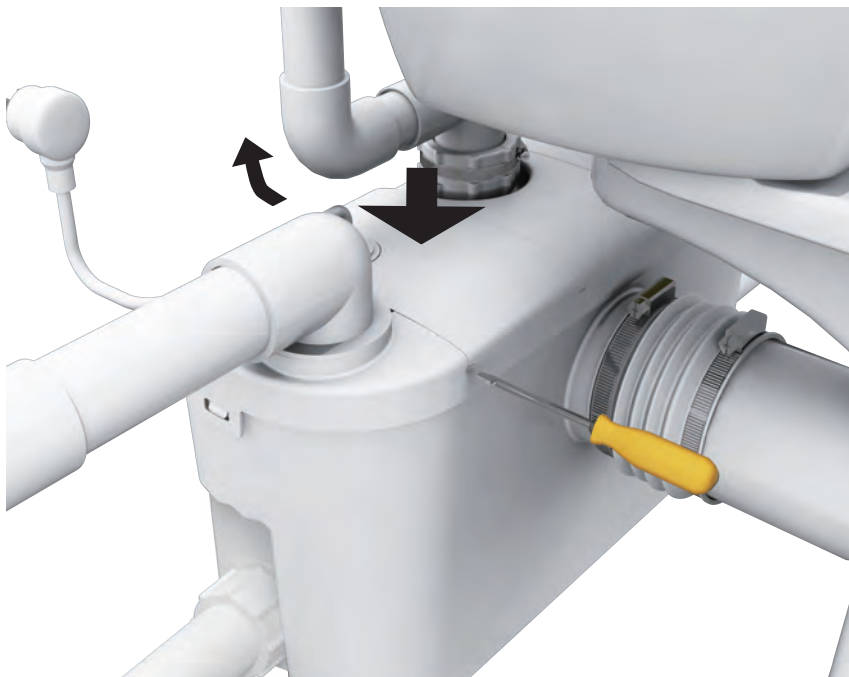
**DANGER** - Mechanical Hazard. Integrated cutting system with sharp edges.  
Do not reach into macerating tank or basket – injury can occur.  
Use tools such as needle nose pliers to retrieve debris in the macerating basket.



\*These drawings are for reference only.  
Exact components may differ by region.

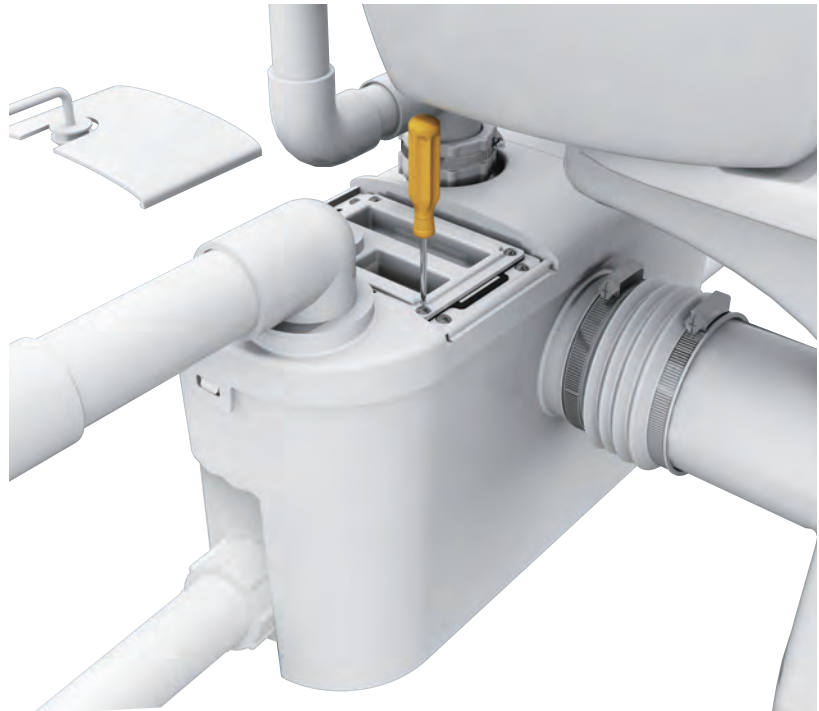
#### ACCESSING THE JUNCTION BOX

Pry the decorative cover open with a screw driver.  
Or press down on the center of the decorative cover and lift the side up.



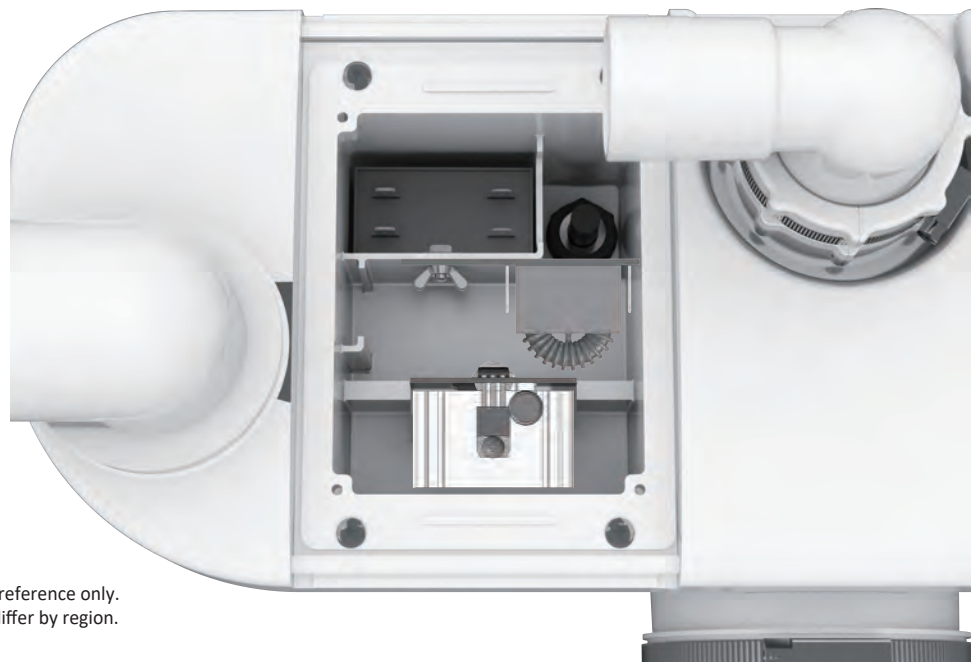
\*These drawings are for reference only.  
Exact components may differ by region.

Unscrew the lid of the junction box with a screw driver for access to the capacitor and float switch.

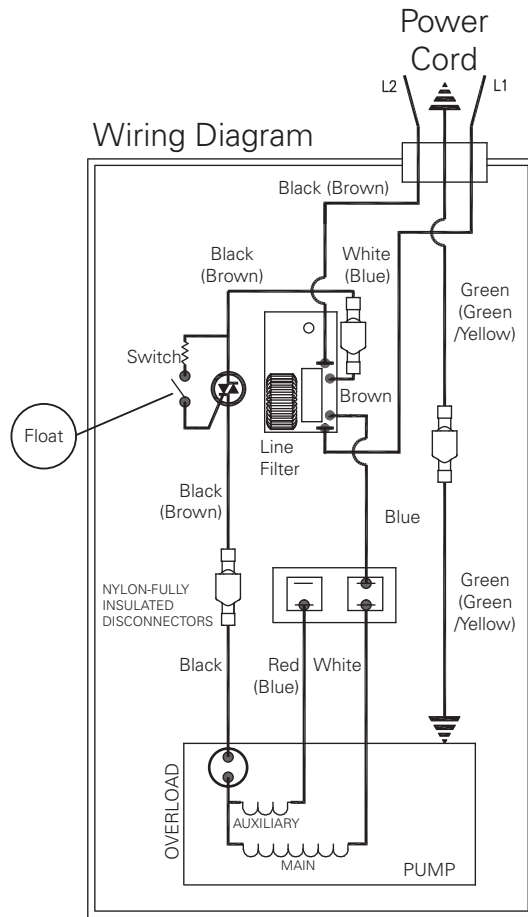


\*These drawings are for reference only.  
Exact components may differ by region.

The junction box can be accessed to replace the capacitor or troubleshoot the system.

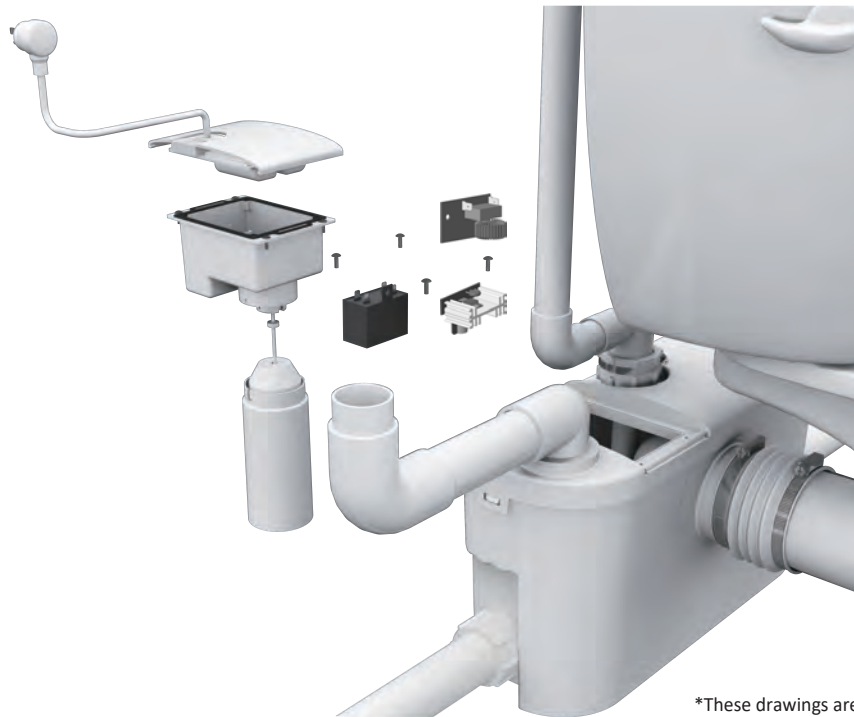


\*These drawings are for reference only.  
Exact components may differ by region.



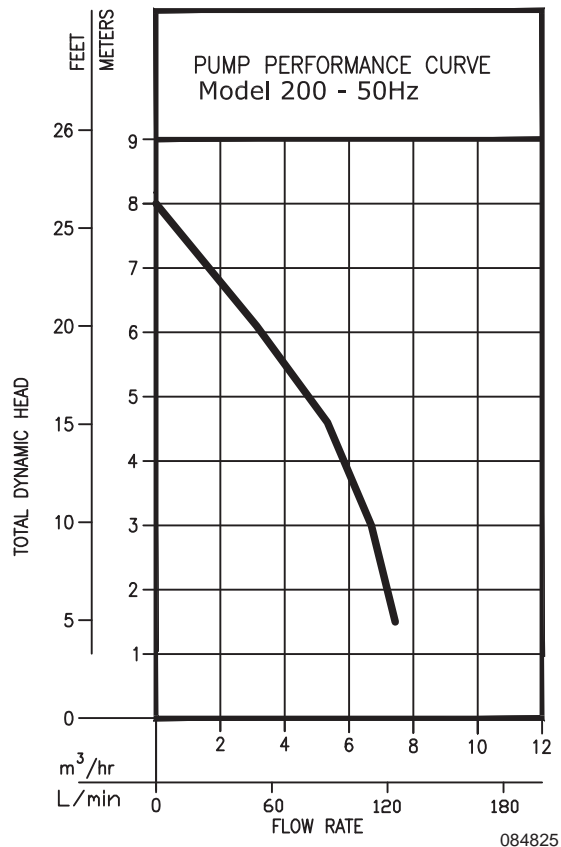
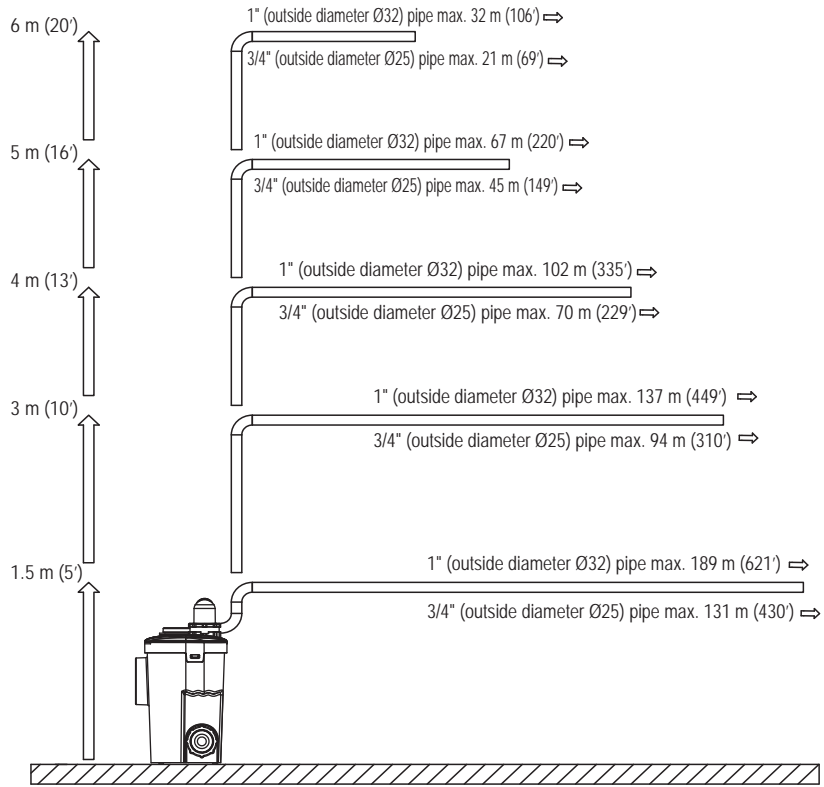
\*These drawings are for reference only. Exact components may differ by region.

The junction box can be further removed by unscrewing the top screws for access to the float switch sleeve and tank internal.



\*These drawings are for reference only. Exact components may differ by region.

# Pump Performance



TOTAL DYNAMIC HEAD/FLOW			
MODEL		220V/50Hz	
Meters	Feet	m <sup>3</sup> /hr	Liters/min
1.5	5	7.5	124.6
3.0	10	6.7	112.0
4.6	15	5.3	87.6
6.1	20	3.2	54.0
Shut-off Head:		8.0m (26.25ft)	

## **DECLARATION OF CONFORMITY**

We, Zoeller, declare under our sole responsibility that the models xxx to which this declaration relates, are in conformity with the Council Directives on the approximation of the laws of the EC Member States relating to:

-- Electromagnetic Compatibility (2014/30/EU)

Standards used: EN 61000-3-2, EN 61000-3-3 and EN 55014-1, BS EN IEC 61000-3-2, BS EN IEC 61000-3-3, BS EN IEC 55014-1

-- Electrical equipment designed for use within certain voltage limits (2014/35/EU)

Standards used: EN60335-1 and EN60335-2-41

-- Restrictive and Hazardous Substances RoHS (Directive 2011/65/EU)

-- Waste Electrical and Electronic Equipment WEEE (Directive 2012/19/EU)