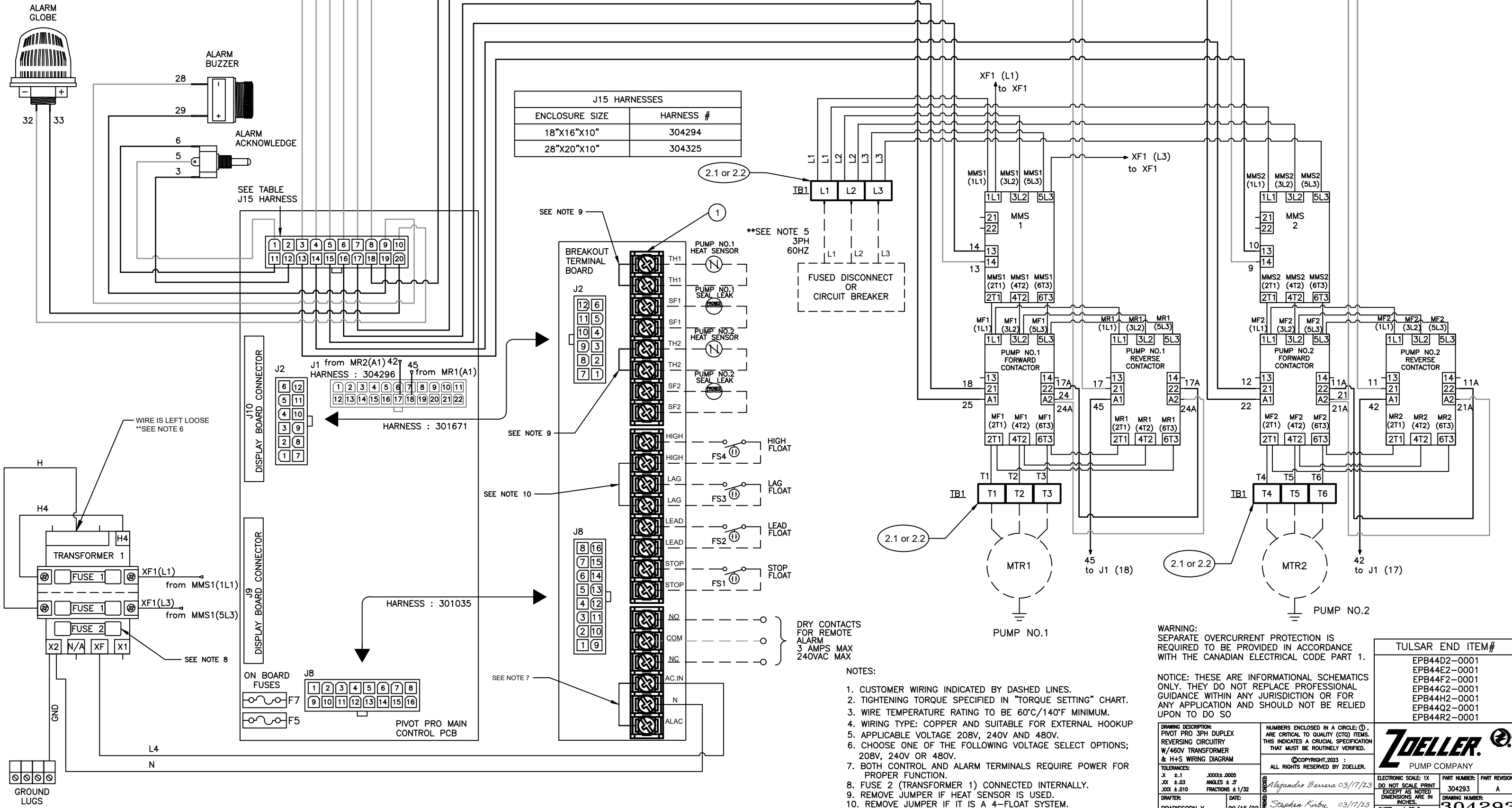
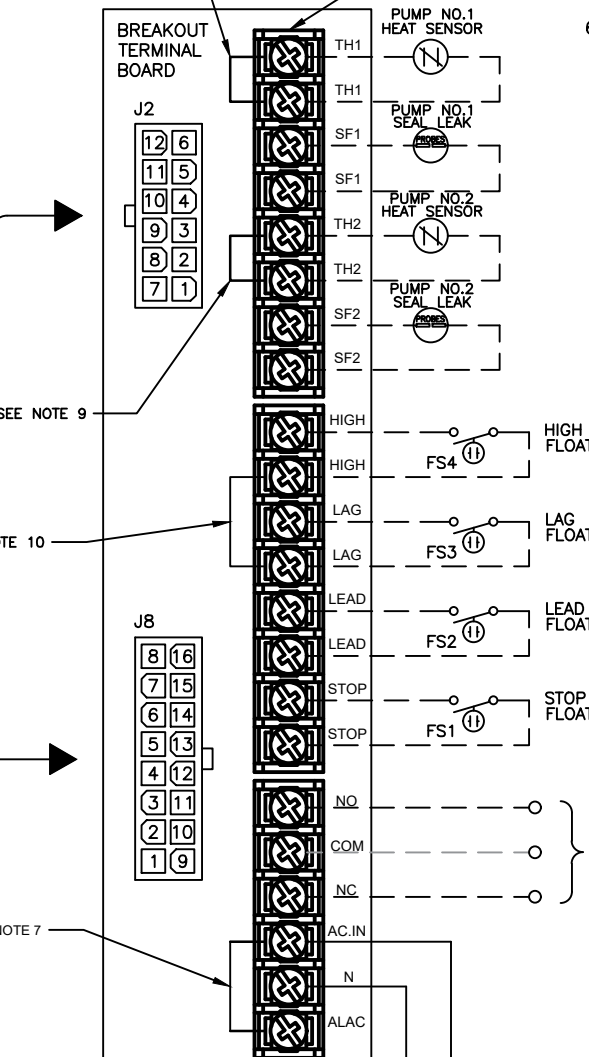


DRAWING REVISIONS				
LTR	BY	DATE	ECO #	DESCRIPTION
A	PY	09/14/23	11481	RELEASE

CUSTOMER TORQUE SETTING		
NUMBER	COMPONENT	TORQUE
1	BREAKOUT TERMINAL BOARD	0.82 N.m. 7.3 lb-in
2.1	TERMINAL BLOCK 6mm ² -CROSS SECTION	1.5-1.8 N.m. 13.3-15.9 lb-in
2.2	TERMINAL BLOCK 16mm ² -CROSS SECTION	2.5-3 N.m. 22.1-26.5 lb-in



J15 HARNESSES	
ENCLOSURE SIZE	HARNESS #
18"X16"X10"	304294
28"X20"X10"	304325



- NOTES:
- CUSTOMER WIRING INDICATED BY DASHED LINES.
 - TIGHTENING TORQUE SPECIFIED IN "TORQUE SETTING" CHART.
 - WIRE TEMPERATURE RATING TO BE 60°C/140°F MINIMUM.
 - WIRING TYPE: COPPER AND SUITABLE FOR EXTERNAL HOOKUP
 - APPLICABLE VOLTAGE 208V, 240V AND 480V.
 - CHOOSE ONE OF THE FOLLOWING VOLTAGE SELECT OPTIONS; 208V, 240V OR 480V.
 - BOTH CONTROL AND ALARM TERMINALS REQUIRE POWER FOR PROPER FUNCTION.
 - FUSE 2 (TRANSFORMER 1) CONNECTED INTERNALLY.
 - REMOVE JUMPER IF HEAT SENSOR IS USED.
 - REMOVE JUMPER IF IT IS A 4-FLOAT SYSTEM.

WARNING: SEPARATE OVERCURRENT PROTECTION IS REQUIRED TO BE PROVIDED IN ACCORDANCE WITH THE CANADIAN ELECTRICAL CODE PART 1.

NOTICE: THESE ARE INFORMATIONAL SCHEMATICS ONLY. THEY DO NOT REPLACE PROFESSIONAL GUIDANCE WITHIN ANY JURISDICTION OR FOR ANY APPLICATION AND SHOULD NOT BE RELIED UPON TO DO SO

DRAWING DESCRIPTION: PIVOT PRO 3PH DUPLEX REVERSING CIRCUITRY W/480V TRANSFORMER & H+S WIRING DIAGRAM		NUMBERS ENCLOSED IN A CIRCLE (1), ARE CRITICAL TO QUALITY (CTQ) ITEMS. THIS INDICATES A CRUCIAL SPECIFICATION THAT MUST BE ROUTINELY VERIFIED.	
TOLERANCES: X ±.1 XOX ±.03 XOX ±.010		©COPYRIGHT, 2023 : ALL RIGHTS RESERVED BY ZOELLER.	
DRAFTER: PRAPISOORN Y.		DATE: 09/15/22	
DRAWING NUMBER: 304293		SHEET: 1 OF 3	

TULSAR END ITEM#

- EPB44D2-0001
- EPB44E2-0001
- EPB44F2-0001
- EPB44G2-0001
- EPB44H2-0001
- EPB44Q2-0001
- EPB44R2-0001

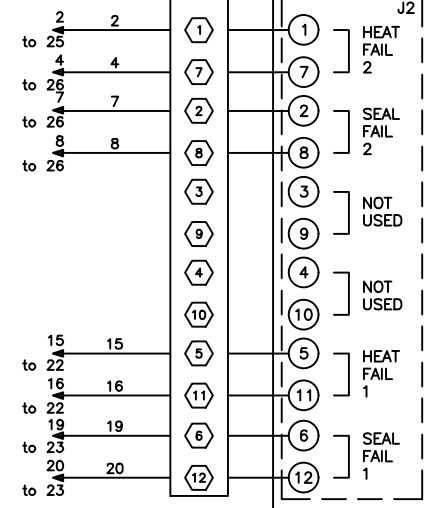
ZOELLER PUMP COMPANY

ELECTRONIC SCALE: 1X
DO NOT SCALE PRINT
EXCEPT AS NOTED
DIMENSIONS ARE IN INCHES.

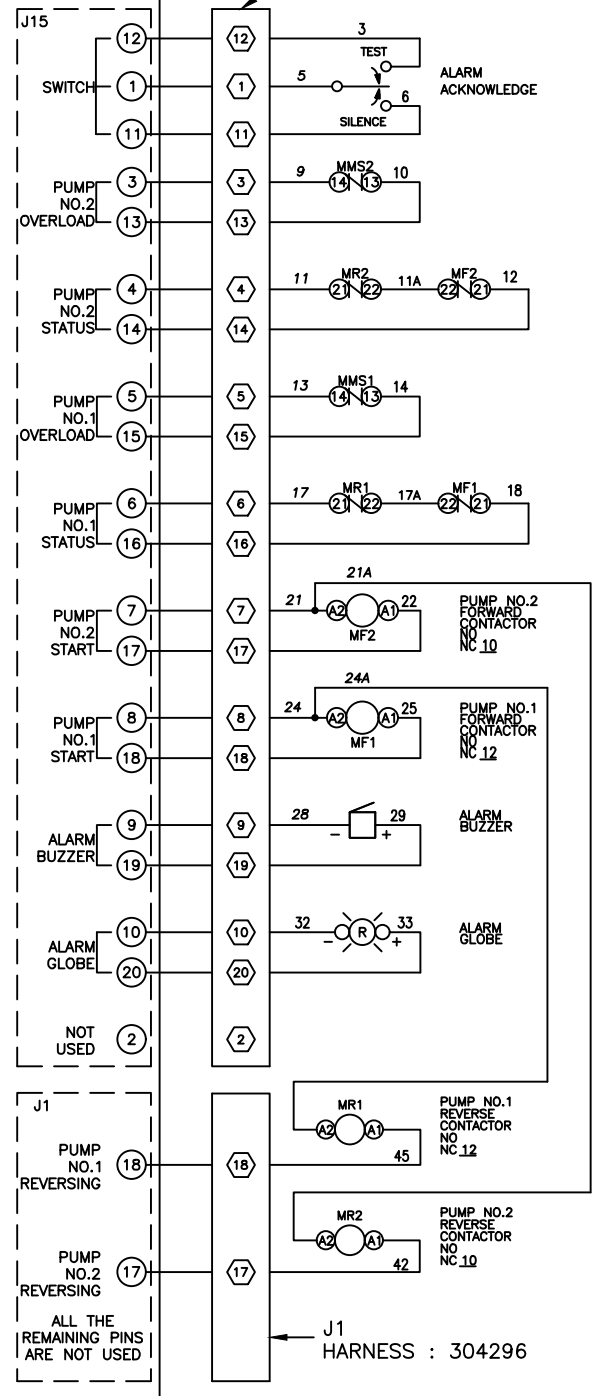
PART NUMBER: 304293
PART REVISION: A
DRAWING NUMBER: 304293
SHEET: 1 OF 3

1
2
3
4
5
6
7
8
9
10
11
12
13
14
15
16
17
18
19
20
21
22
23
24
25
26
27
28
29
30
31
32
33
34
35

J2 HARNESS : 301671



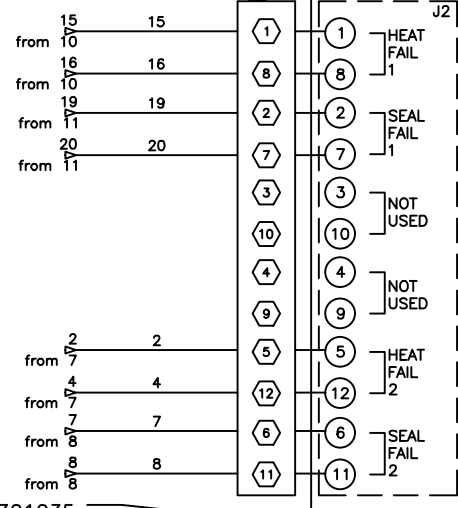
PCB CONTROL BOARD



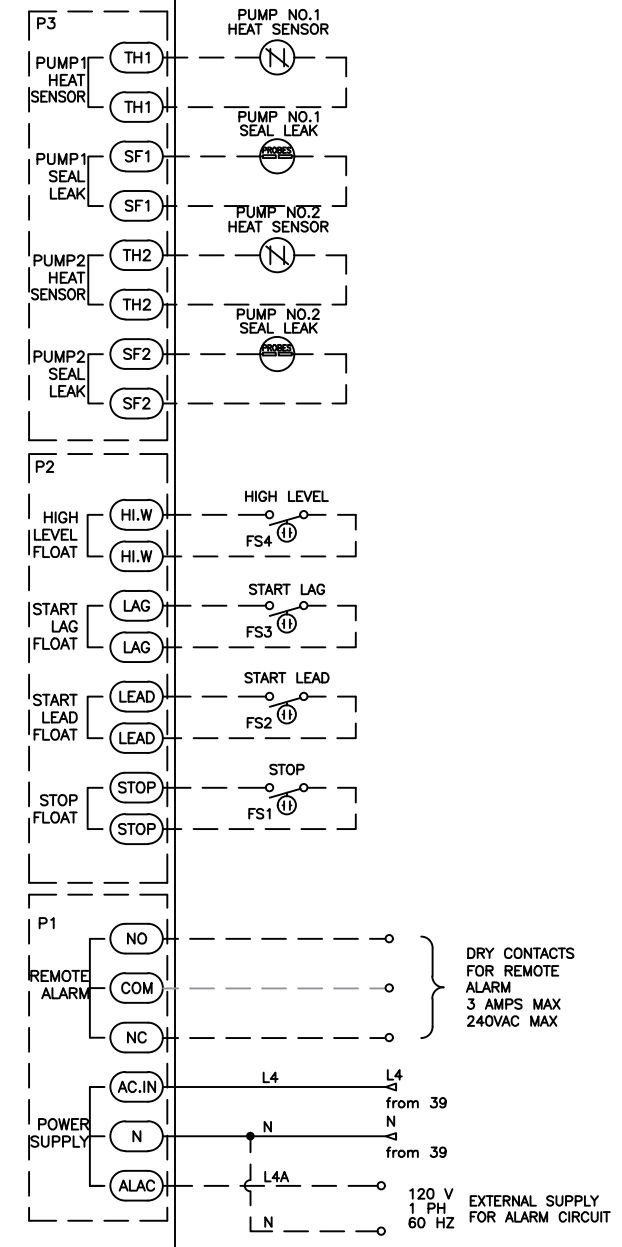
J15 HARNESS : SEE TABLE J15

J1 HARNESS : 304296

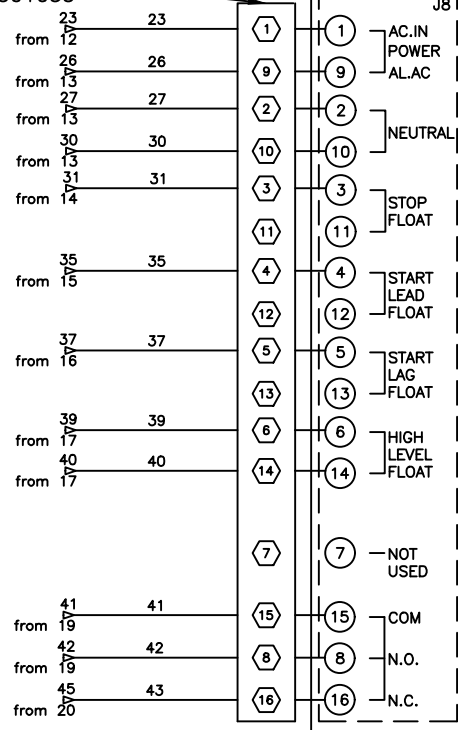
J2 HARNESS : 301671



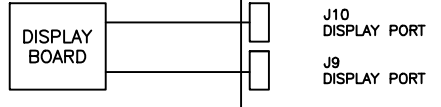
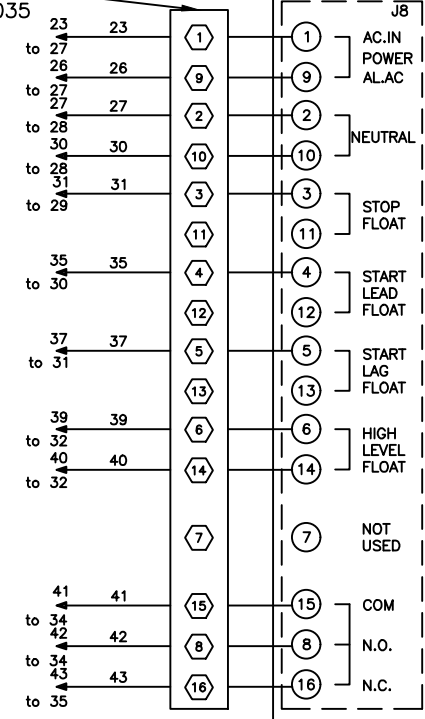
BREAKOUT TERMINAL BOARD



J8 HARNESS : 301035

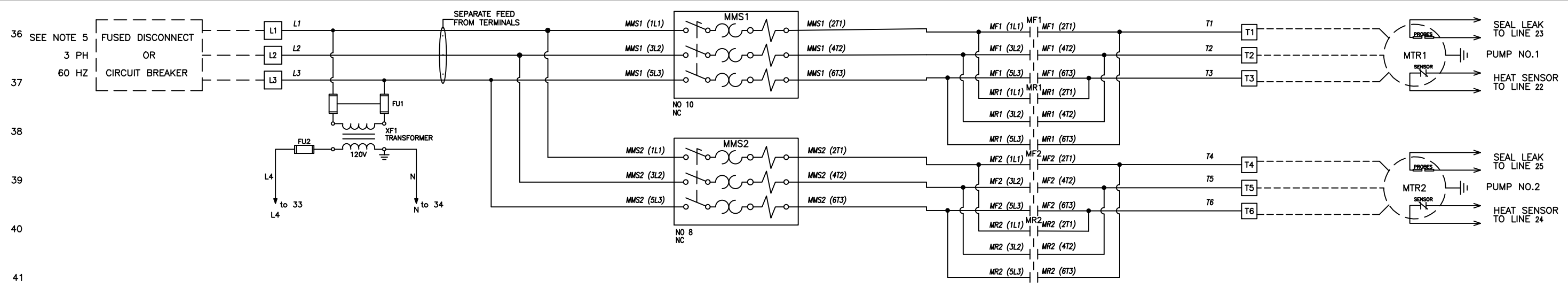


J8 HARNESS : 301035



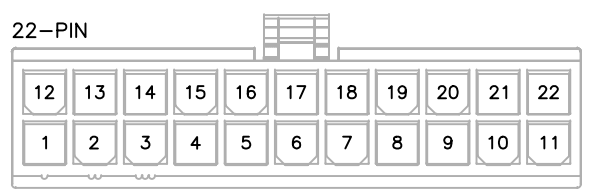
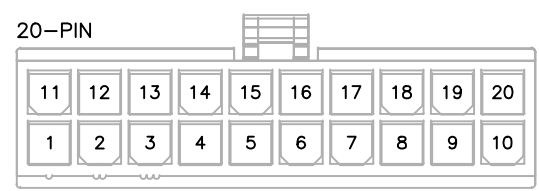
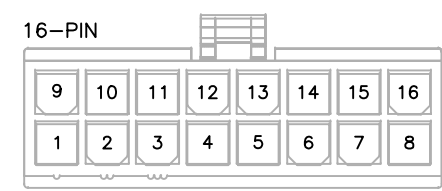
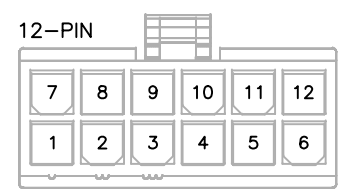
LEGEND TERMINAL
◻ DENOTE MOLEX PIN

NOTE:
TERMINAL (AC.IN) AND TERMINAL (ALAC) ARE JUMPED BY FACTORY DEFAULT. REMOVE JUMPER TO PROVIDE EXTERNAL 120VAC SUPPLY FOR ALARMS.



36
37
38
39
40
41
42
43
44
45
46
47
48
49
50
51
52
53
54
55

MOLEX DETAILS



LEGEND TERMINAL
□ DENOTE LOCAL TERMINAL