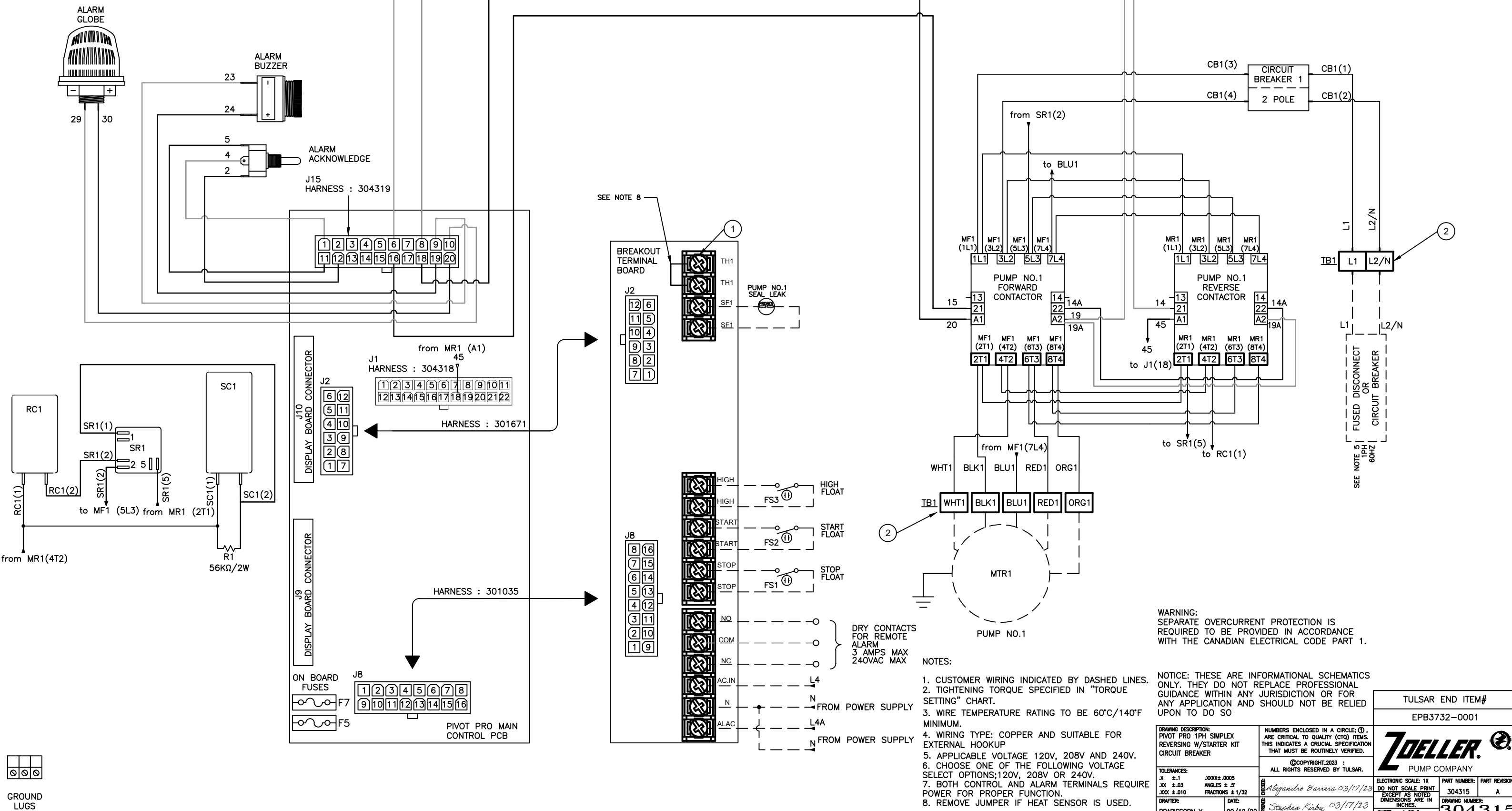


CUSTOMER TORQUE SETTING		
NUMBER	COMPONENT	TORQUE
1	BREAKOUT TERMINAL BOARD	0.82 N.m. 7.3 lb-in
2	TERMINAL BLOCK 6mm ² -CROSS SECTION	1.5-1.8 N.m. 13.3-15.9 lb-in



WARNING:
SEPARATE OVERCURRENT PROTECTION IS REQUIRED TO BE PROVIDED IN ACCORDANCE WITH THE CANADIAN ELECTRICAL CODE PART 1.

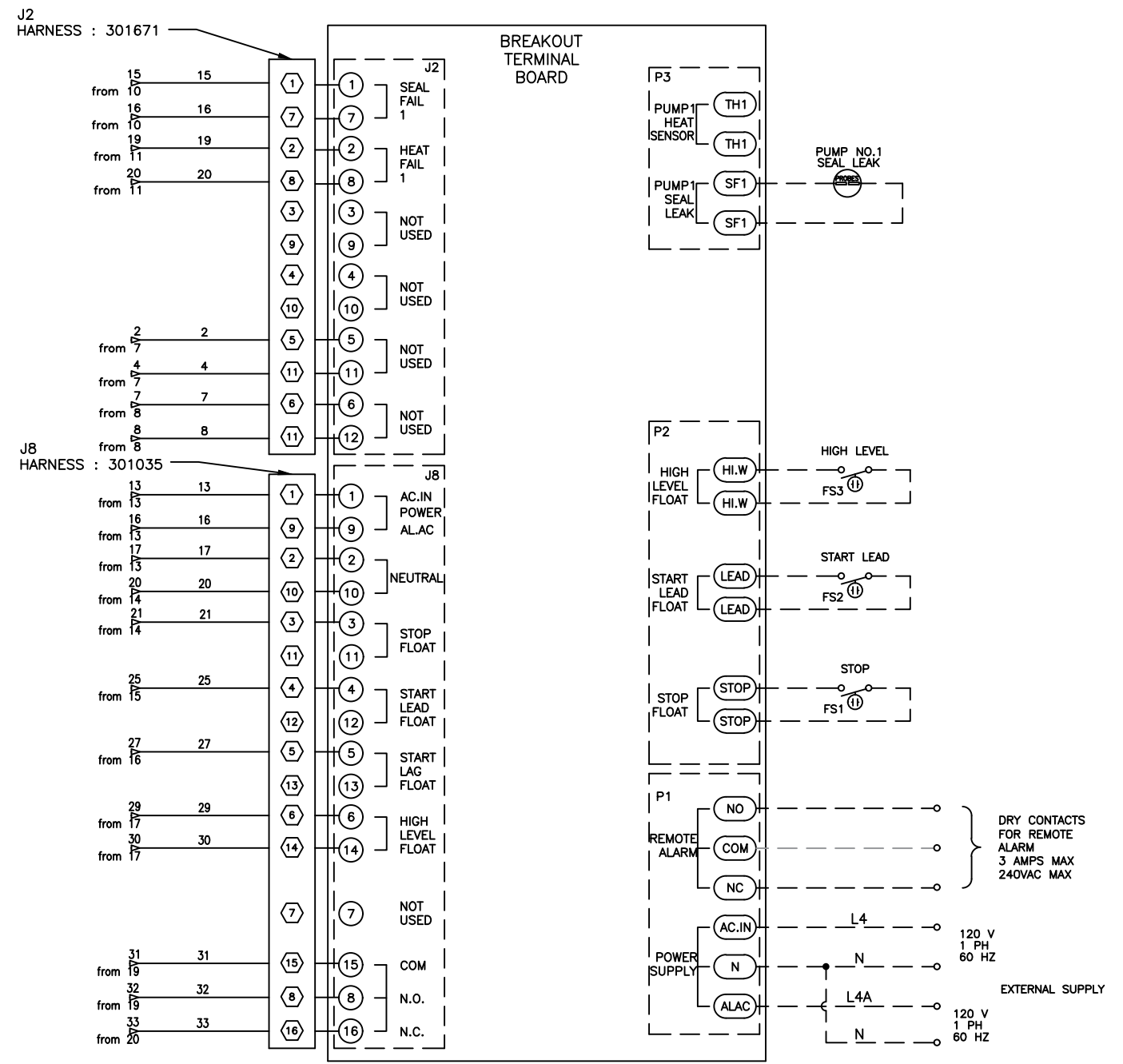
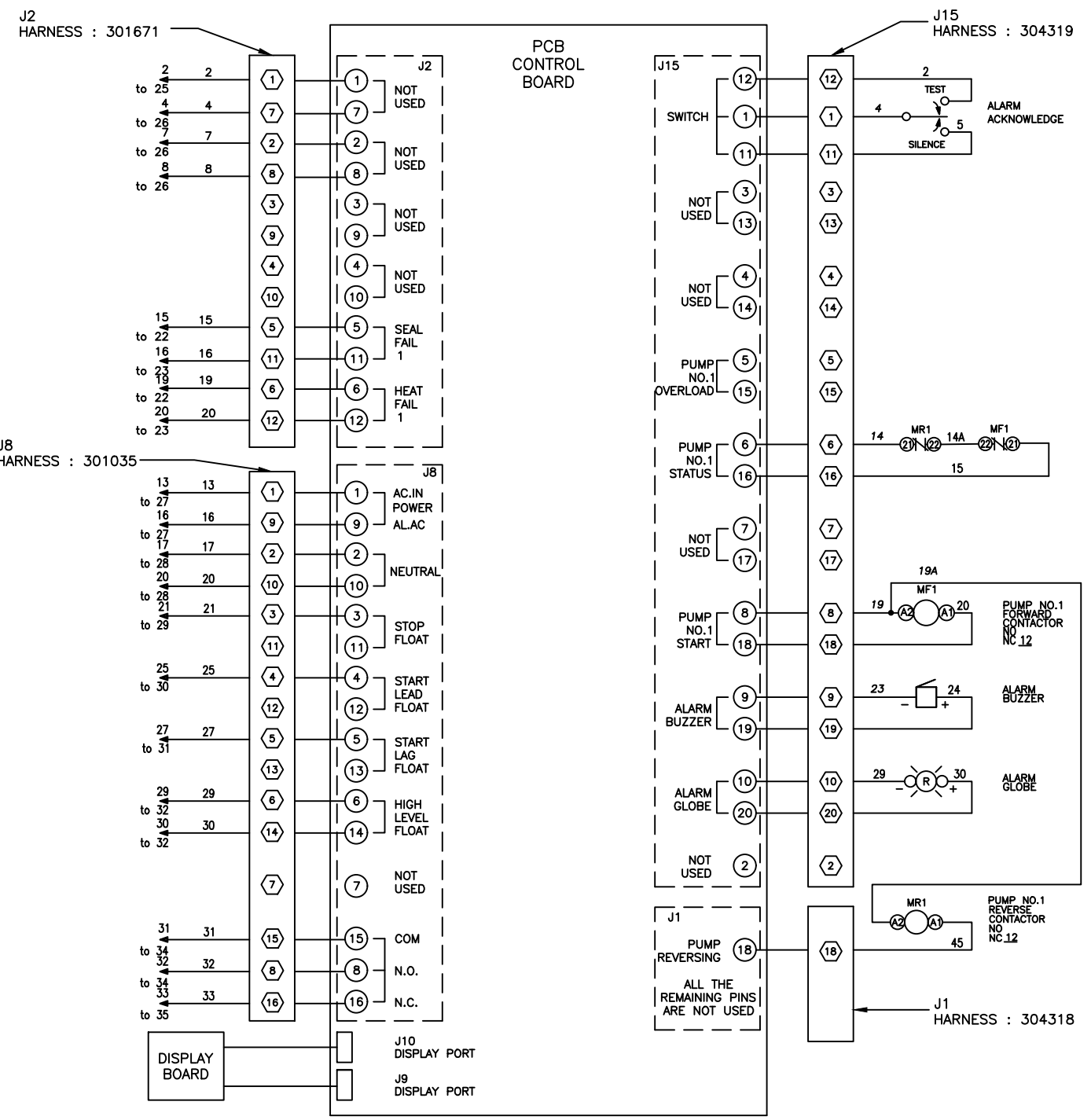
- NOTES:**
- CUSTOMER WIRING INDICATED BY DASHED LINES.
 - TIGHTENING TORQUE SPECIFIED IN "TORQUE SETTING" CHART.
 - WIRE TEMPERATURE RATING TO BE 60°C/140°F MINIMUM.
 - WIRING TYPE: COPPER AND SUITABLE FOR EXTERNAL HOOKUP
 - APPLICABLE VOLTAGE 120V, 208V AND 240V.
 - CHOOSE ONE OF THE FOLLOWING VOLTAGE SELECT OPTIONS; 120V, 208V OR 240V.
 - BOTH CONTROL AND ALARM TERMINALS REQUIRE POWER FOR PROPER FUNCTION.
 - REMOVE JUMPER IF HEAT SENSOR IS USED.

NOTICE: THESE ARE INFORMATIONAL SCHEMATICS ONLY. THEY DO NOT REPLACE PROFESSIONAL GUIDANCE WITHIN ANY JURISDICTION OR FOR ANY APPLICATION AND SHOULD NOT BE RELIED UPON TO DO SO

DRAWING DESCRIPTION: PIVOT PRO 1PH SIMPLEX REVERSING W/STARTER KIT CIRCUIT BREAKER		NUMBERS ENCLOSED IN A CIRCLE (1), (2) ARE CRITICAL TO QUALITY (CTQ) ITEMS. THIS INDICATES A CRUCIAL SPECIFICATION THAT MUST BE ROUTINELY VERIFIED.	
TOLERANCES: X ±.1 XX ±.03 XXX ±.010		©COPYRIGHT, 2023 : ALL RIGHTS RESERVED BY TULSAR. ALL INFORMATION CONTAINED HEREIN IS THE PROPERTY OF TULSAR. ANY UNAUTHORIZED REPRODUCTION OR DISTRIBUTION IS STRICTLY PROHIBITED.	
DRAFTER: PRAPISSORN Y.		DATE: 09/12/22	
DRAWING NUMBER: 304315		PART NUMBER: 304315	
SHEET: 1 OF 3		PART REVISION: A	

GROUND LUGS

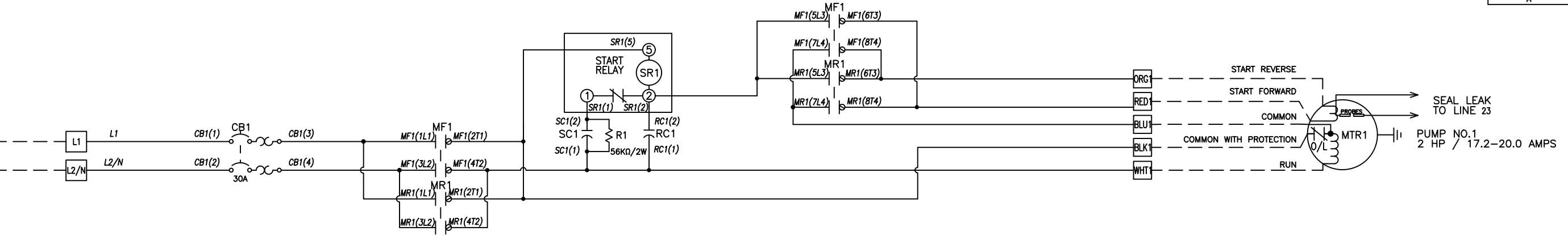
1
2
3
4
5
6
7
8
9
10
11
12
13
14
15
16
17
18
19
20
21
22
23
24
25
26
27
28
29
30
31
32
33
34
35



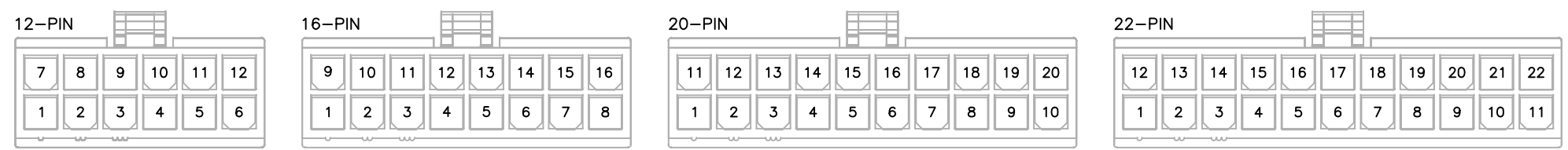
36
37
38
39
40
41
42
43
44
45
46
47
48
49
50
51
52
53
54
55

SEE NOTE 5
1 PH
60 HZ

FUSED DISCONNECT
OR
CIRCUIT BREAKER



MOLEX DETAILS



LEGEND TERMINAL
□ DENOTE LOCAL TERMINAL