

Trusted. Tested. Tough.®

Product information presented here reflects conditions at time of publication. Consult factory regarding discrepancies or inconsistencies.



FM3423  
1222  
Supersedes  
NEW

MAIL TO: P.O. BOX 16347 • Louisville, KY 40256-0347  
SHIP TO: 3649 Cane Run Road • Louisville, KY 40211-1961  
Tel: (502) 778-2731 • 1 (800) 928-PUMP

Visit our website:  
[zoellerpumps.com](http://zoellerpumps.com)

## REPLACEMENT PARTS LIST FOR MODEL:

202 Toilet Assembly

Consult factory for all other models.

### ***TO ORDER REPLACEMENT PARTS:***

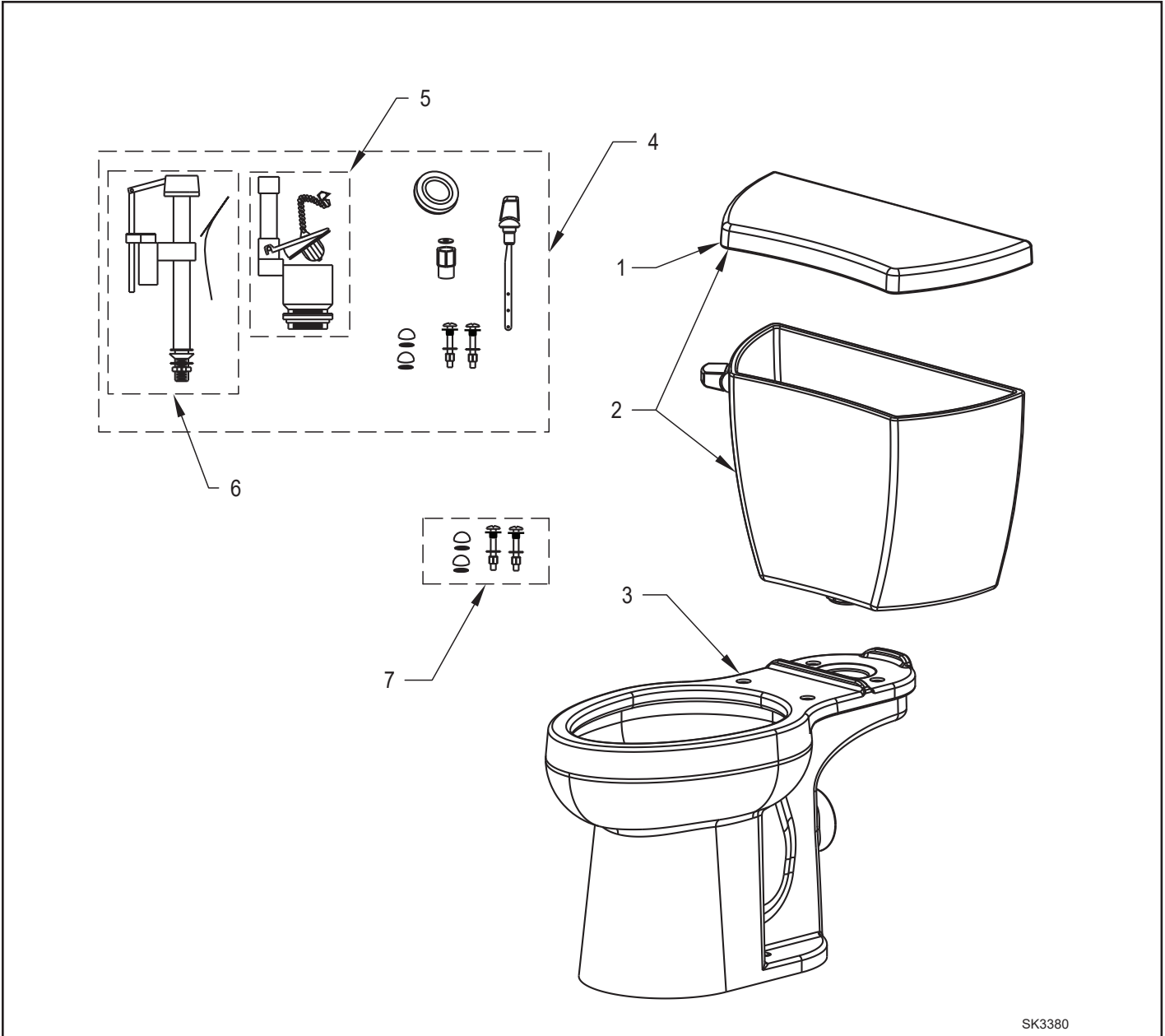
**PLEASE FURNISH THE FOLLOWING INFORMATION:**

- Model number
- Part number of unit
- Part number and description of part

**REPLACEMENT PARTS LIST FOR MODEL "202".**

REF NO.	DESCRIPTION	QTY	MODELS:
			202-E
1	TOILET TANK COVER	1	01/23 thru Current
2	TOILET TANK WITH COVER- LEFT HANDED	1	202-3002
	TOILET TANK WITH COVER- RIGHT HANDED	1	202-3003
3	TOILET BOWL	1	202-2000
4	FLUSH VALVE REPLACEMENT KIT	1	152587
5	FLUSH VALVE ASSEMBLY	1	154029
6	FILL VALVE ASSEMBLY WITH TUBE	1	152588
7	TANK TO TOILET HARDWARE	1	154048

**REPLACEMENT PARTS ILLUSTRATION FOR MODEL "202".**



SK3380



MAIL TO: P.O. BOX 16347 • Louisville, KY 40256-0347  
SHIP TO: 3649 Cane Run Road • Louisville, KY 40211-1961  
Tel: (502) 778-2731 • 1 (800) 928-PUMP

Trusted. Tested. Tough.®

Visit our website:  
[zoellerpumps.com](http://zoellerpumps.com)