

Trusted. Tested. Tough.®

Product information presented here reflects conditions at time of publication. Consult factory regarding discrepancies or inconsistencies.



2.15.110  
FM3300  
0221  
Supersedes  
0516

MAIL TO: P.O. BOX 16347 • Louisville, KY 40256-0347  
SHIP TO: 3649 Cane Run Road • Louisville, KY 40211-1961  
TEL: (502) 778-2731 • 1 (800) 928-PUMP • FAX: (502) 774-3624

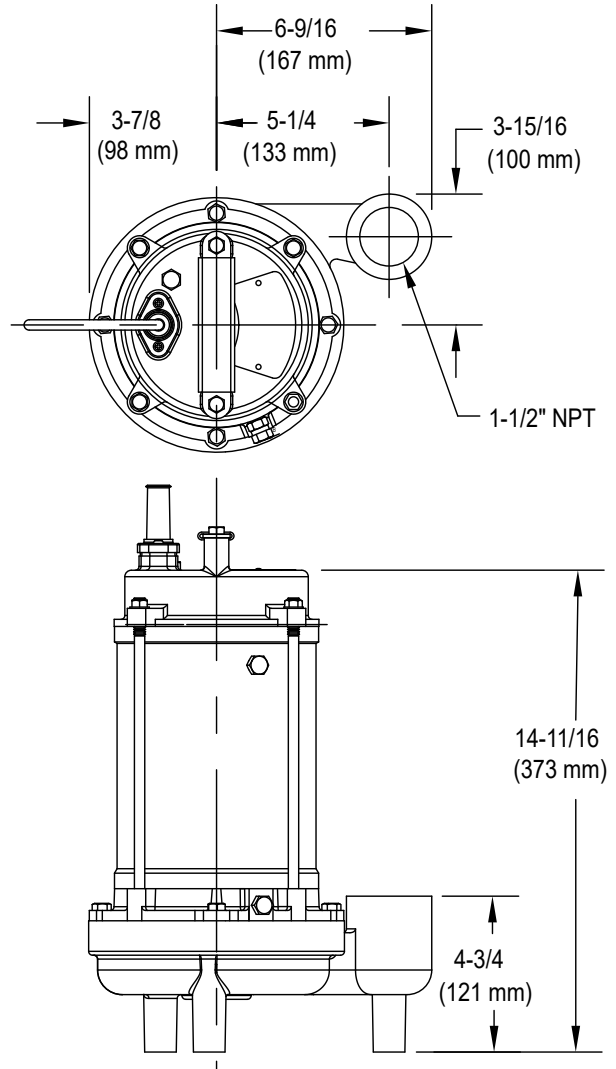
Visit our website:  
zoellerpumps.com

## TECHNICAL DATA SHEET

### Model 5054 Effluent Pump

#### PRODUCT SPECIFICATIONS

<b>MOTOR</b>	Horse Power	1
	Voltage	230
	Phase	1 Ph
	Hertz	60 Hz
	RPM	3450
	Type	Permanent split capacitor
	Insulation	Class B
	Amps	14
<b>PUMP</b>	Operation	Nonautomatic
	Discharge Size	1.5" NPT
	Solids Handling	3/4" (19 mm) spherical solids
	Cord Length	30' (9 m) standard
	Cord Type	UL listed
	Max. Head	114' (35 m)
	Max. Flow Rate	70 GPM (265 LPM)
	Max. Operating Temp.	104° F (40° C)
	Cooling	Oil filled
	Motor Protection	Auto reset thermal overload
<b>MATERIALS</b>	Cap	Cast iron
	Motor Housing	Cast iron
	Pump Housing	Cast iron
	Base	Cast iron
	Upper Bearing	Ball bearing
	Lower Bearing	Ball bearing
	Mechanical Seals	Carbon and ceramic
	Impeller Type	Semi-open vortex
	Impeller	Cast iron
	Hardware	Stainless steel
	Gasket	Neoprene square rings



NOTE: See model comparison chart for specific details.

SK3112

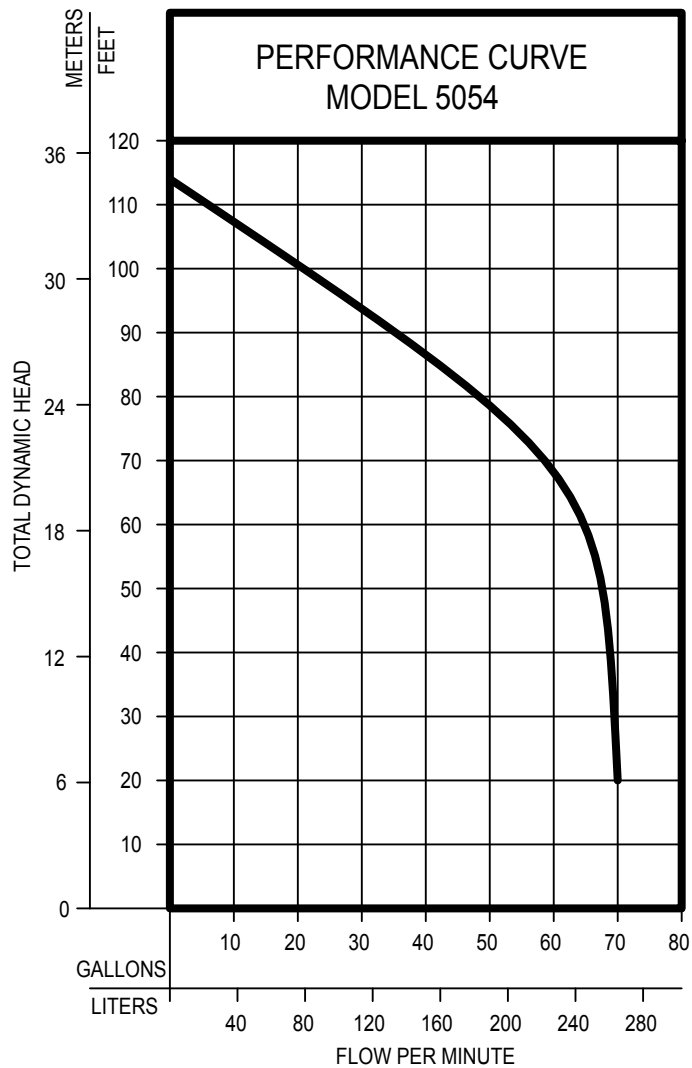


© Copyright 2021. All rights reserved.

502-778-2731 | 800-928-7867 | 3649 Cane Run Road | Louisville, KY 40211-1961 | zoellerpumps.com

**TOTAL DYNAMIC HEAD  
FLOW PER MINUTE**

MODEL 5054			
Feet	Meters	Gal.	Liters
20	6.1	70	265
40	12.2	69	261
60	18.3	68	257
80	24.4	51	193
100	30.5	21	81
Shut-off Head		114 ft. (35 m)	



153939

Model	MODEL COMPARISON								
	Seal	Mode	Volts	Ph	Amps	HP	Hz	Lbs	Kg
5054	Double	Non	230	1	14	1	60	68	31