

Product information presented here reflects conditions at time of publication. Consult factory regarding discrepancies or inconsistencies.



MAIL TO: P.O. BOX 16347 • Louisville, KY 40256-0347  
SHIP TO: 3649 Cane Run Road • Louisville, KY 40211-1961  
TEL: (502) 778-2731 • 1 (800) 928-PUMP • FAX: (502) 774-3624

Visit our website:  
zoellerpumps.com

## REPLACEMENT PARTS LIST FOR MODELS:

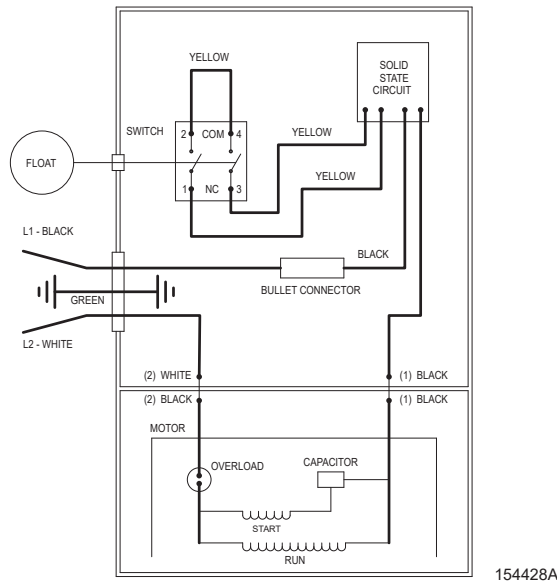
### M95 AUTOMATIC 115V

Consult factory for all other models.

#### **TO ORDER REPLACEMENT PARTS:**

#### **PLEASE FURNISH THE FOLLOWING INFORMATION:**

- Model number
- Part number of pump.
- Part number and description of part



WIRING DIAGRAM FOR MODEL  
"M95" - All models

# REPLACEMENT PARTS LIST AND ILLUSTRATION FOR MODEL "M95".

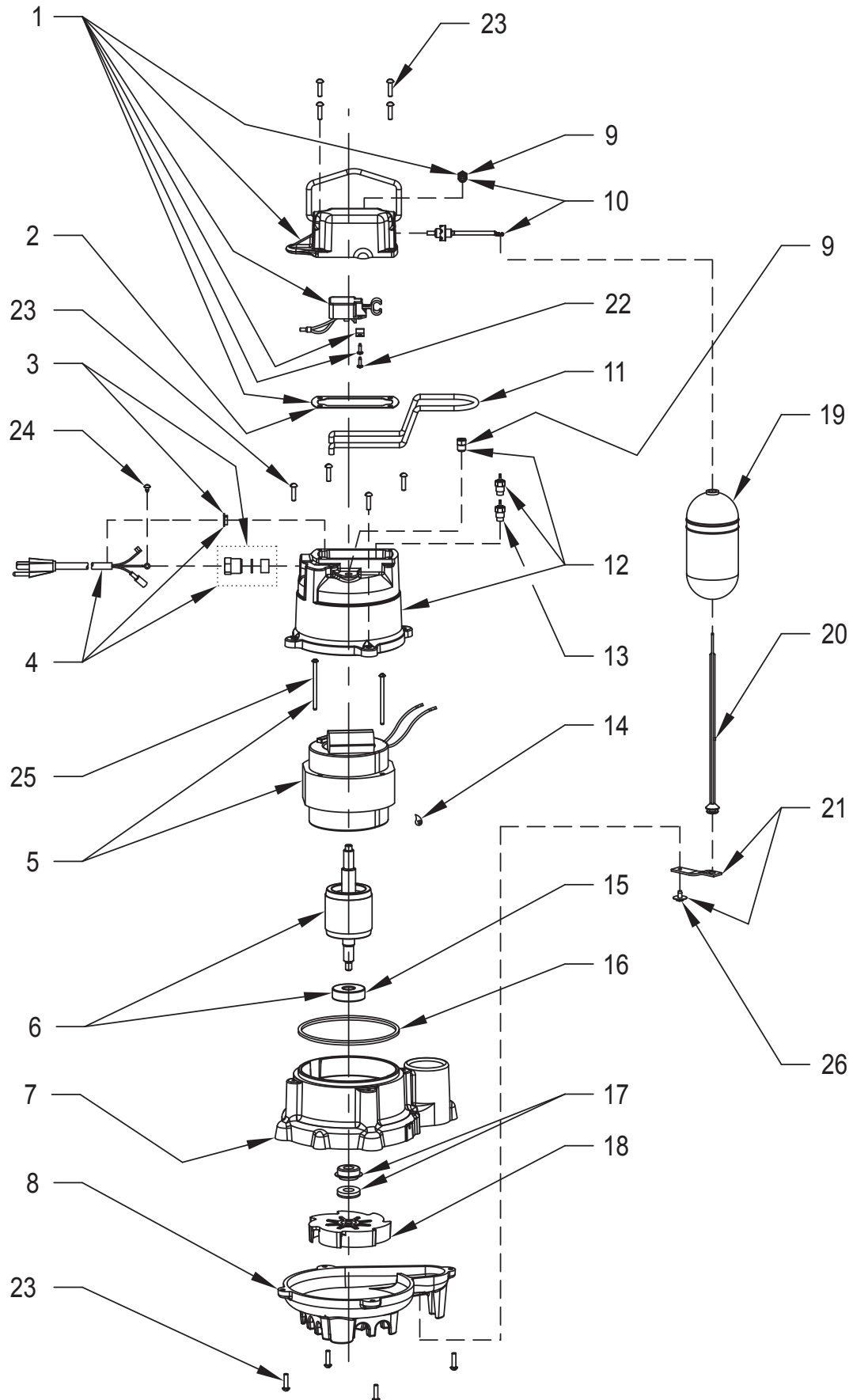
		MODELS:		M95-A	M95-B
REF NO.	DESCRIPTION	QTY	NOTES	12/16 thru 12/20	01/21 thru Current
1	CASE ASSEMBLY	1		153860	153860
2	• GASKET - CASE/COVER	1		034046	034046
3	• CORD SEAL ASSEMBLY	1		153861	153861
4	CORD ASSEMBLY	1		154430	154430
5	STATOR WITH SCREWS	1		018179	157310
6	ROTOR ASSEMBLY	1		018162	157312
7	PUMP HOUSING - MACH.	1		018202	018202
8	BASE	1		018163	018163
9	• TEST PLUGS	2		034090	034090
10	• ARM AND SEAL ASSEMBLY	1		004704	004704
11	GUARD	1		004645	004645
12	MOTOR HOUSING ASSEMBLY	1		154433	154433
13	• THRU WALL TERMINALS	2		003402	003402
14	• DIELECTRIC OIL	1		007051	007051
15	RADIAL BEARING	1		009540	009540
16	• MOTOR HOUSING SEAL	1		034007	034007
17	• SHAFT SEAL ASSEMBLY	1		011681	011681
18	IMPELLER	1		014240	014240
19	FLOAT	1		153338	153338
20	FLOAT ROD	1		154333	154333
21	FLOAT ROD GUIDE ASSEMBLY	1		034086	034086
22	• SCREW - SWITCH (#6-32 X 7/16" LONG)	2		004644	004644
23	• SCREW - CASE, MTR HOUSING, BASE (10-24 X 3/4" LONG)	12		001885	001885
24	• SCREW - GROUND (#6-32 X 1/4" LONG)	1		001877	001877
25	• SCREW - STATOR (#8-32 X 2-17/32" LONG)	2		001914	001914
26	• SCREW - FLOAT (10-24 X 3/8" LONG)	1		002000	002000
□	REBUILD KIT	1		154432	154432

- Items included in Rebuild Kit.
- Not Shown in Illustration.

## NOTES:

- 1) If an "X" follows model no., or date mfg. on ID tag, consult factory for ordering any parts.
- 2) See FM0160 Parts Price Sheet for listing of part prices.
- 3) "N/A" indicates not applicable.

# REPLACEMENT PARTS ILLUSTRATION FOR MODEL "M95".



SK3134



MAIL TO: P.O. BOX 16347 • Louisville, KY 40256-0347  
SHIP TO: 3649 Cane Run Road • Louisville, KY 40211-1961  
(502) 778-2731 • 1 (800) 928-PUMP • FAX (502) 774-3624

Trusted. Tested. Tough.®

Visit our website:  
[zoellerpumps.com](http://zoellerpumps.com)