



Preassembled
Grinder
Package
Systems



All cast iron grinder series for difficult residential applications where ejectors struggle.



Zoeller Family of Water Solutions™

Copyright Zoeller Co. All rights reserved.

System Components:

Automatic Pump

- Integral Float Switch or Piggyback Switch
- 115 Volt
- .5 HP (7.0 FLA) or 1 HP (11.0 FLA)
- 2" PVC discharge

High Water Alarm (optional)

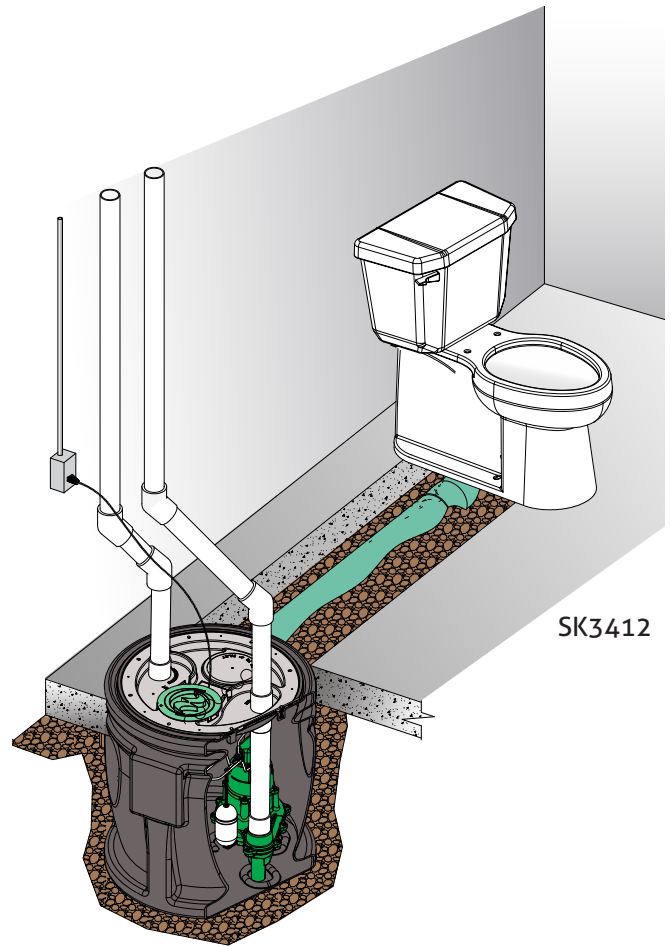
- Simplex systems available with or without high water alarm. Systems that include high water alarm will have the alarm float preinstalled.

Basin

- Poly Structural Foam (PSF) or polyethylene basin and cover
- 2" PVC discharge. Through the cover for indoor or side discharge for outdoor systems.
- 4" Inlet
- 3/16" vent hole pre-drilled
- 18" x 30" – 30 gallon (113 liter) capacity
- 24" x 24" – 41 gallon (155 liter) capacity

Note: Check valve required. Sold separate.

Packing peanuts found in basins are corn starch based and will dissolve once water is added.



Optional Alarms and Alternator

Indoor APak® High Water Alarm

- Auto-reset solid state alarm
- Battery backup for power outage (2-AA batteries not included)
- NEMA 1 non-corrodible enclosure for indoor use
- Manual shut-off
- Horn rated at 86 decibels at 10' (3 m)

Outdoor APak® High Water Alarm

- NEMA 4X Outdoor use per UL 864 for US and Canada
- High water will trigger horn and red alarm LEDs. Audible alarm horn can be silenced. If water level recedes, alarm will stop on its own, with LED alarm indicator remaining on until reset. Horn is rated 82 decibels at 10' (3 m)
- Auxiliary dry contacts for high level alarm, 5 Amps



10-4012



91104-0001



Optional Extensions and Risers

18" x 30" PSF Basin Extension Options

Poly Structural Foam (PSF)

31-1473 – 12" tall for 18" diameter

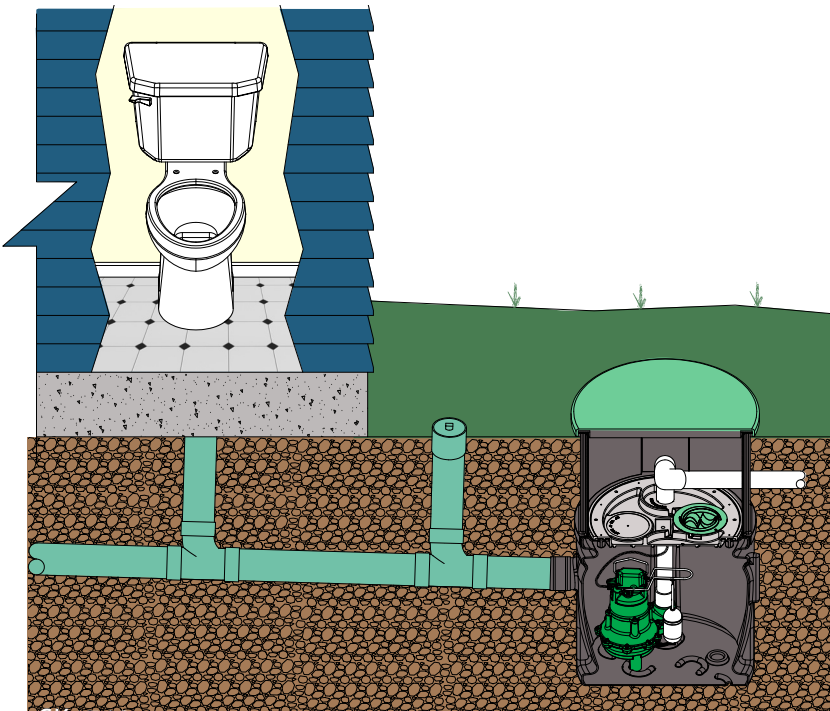
31-1476 – 6" tall for 18" diameter

24" X 24" Poly Basin Extension and Riser Options

31-3108 - 8" extension for indoor applications

10-5157 - 18" riser for outdoor applications

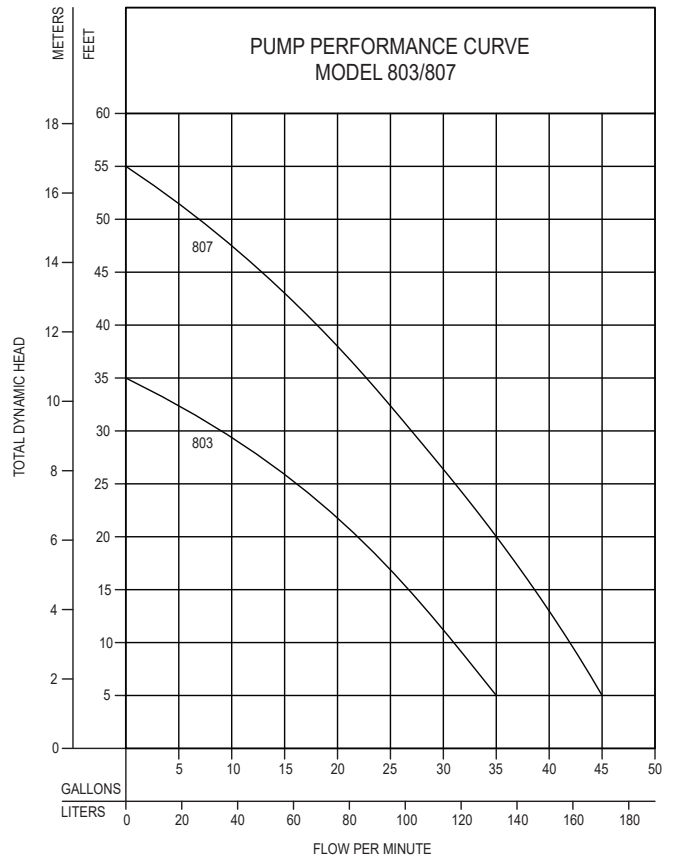
31-2950 - Replacement 24" x 24" basin only



TOTAL DYNAMIC FLOW PER MINUTE

MODEL		803		807	
Feet	Meters	Gal.	Liters	Gal.	Liters
5	1.5	35	132	45	170
10	3.0	31	117	42	159
15	4.6	27	102	39	148
20	6.1	22	83	35	132
25	7.6	16	61	31	117
30	9.1	9	34	27	102
35	10.7	--	--	23	87
40	12.2	--	--	18	68
45	13.7	--	--	13	49
50	15.2	--	--	7	26
Shut-off Head:		35 ft. (10.7m)		55 ft. (16.8m)	

153604B



Location	Basin	Basin Material	Float Switch	Pump Model	Alarm	Part Number	
Indoor	18" x 30"	PSF	Piggyback	801	Yes	915-0005	
		Fiberglass			Yes	915-0007	
	24" x 24"	PSF	Integral	803	No	915-0047	
					Yes	915-0048	
			Piggyback		No	915-0049	
					Yes	915-0081	
			Integral		807	No	915-0086
						Yes	915-0087
	Piggyback	No	915-0088				
		Yes	915-0089				
Outdoor	18" x 30"	PSF	Integral	803		Yes	915-0031

115 V packages listed above
Consult factory for outdoor packages and other options.

FM2953
1024
Supersedes
0924

CAUTION	All installation of controls, protection devices and wiring should be done by a qualified licensed electrician. All electrical and safety codes should be CAUTION followed including the most recent National Electrical Code (NEC) and the Occupational Safety and Health Act (OSHA).
----------------	----------------------------------------------------------------------------------------------------------------------------------------------------------------------------------------------------------------------------------------------------------------------------------------