

Product information presented here reflects conditions at time of publication. Consult factory regarding discrepancies or inconsistencies.

MAIL TO: P.O. BOX 16347 • Louisville, KY 40256-0347
SHIP TO: 3649 Cane Run Road • Louisville, KY 40211-1961
TEL: (502) 778-2731 • 1 (800) 928-PUMP • FAX: (502) 774-3624

Visit our website:
zoellerpumps.com

REPLACEMENT PARTS LIST

FOR MODELS:

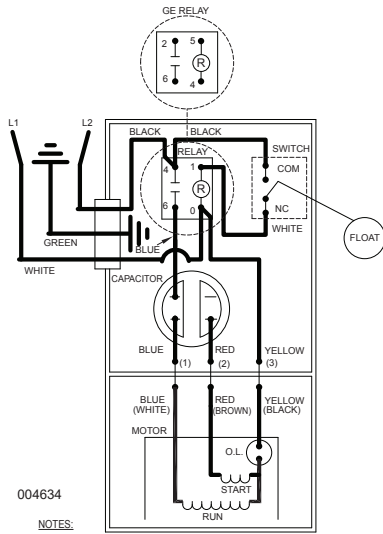
D295 AUTOMATIC 230V

E295 NONAUTOMATIC 230V

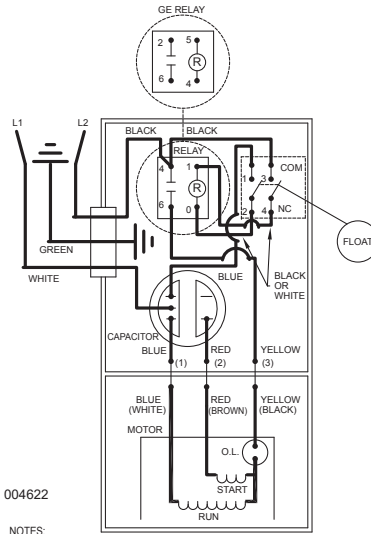
WD295 NONAUTOMATIC 230V

XE295 NONAUTOMATIC 230V

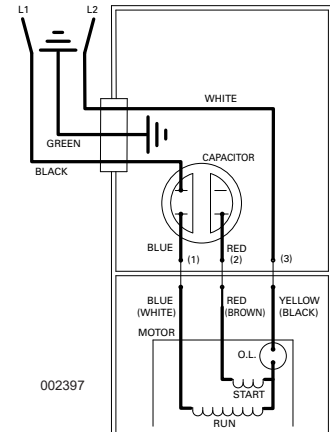
Consult factory for all others models



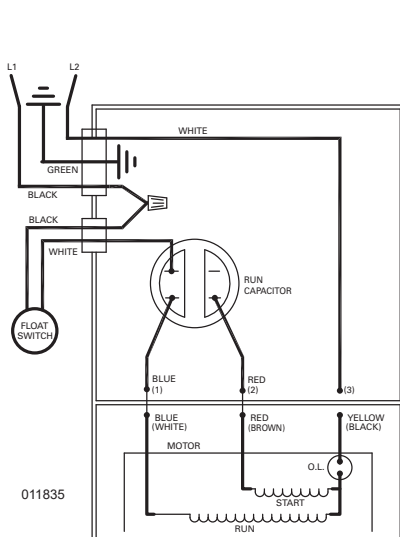
004634
NOTES:
INSULATORS REQUIRED ON GE RELAY TERMINALS 2 & 5.
OMRON RELAY TERMINALS 1 & 4.
WIRING DIAGRAM FOR MODELS
"D295-A" and "D295-B"
2/85 (NR) thru 8/86 (US)



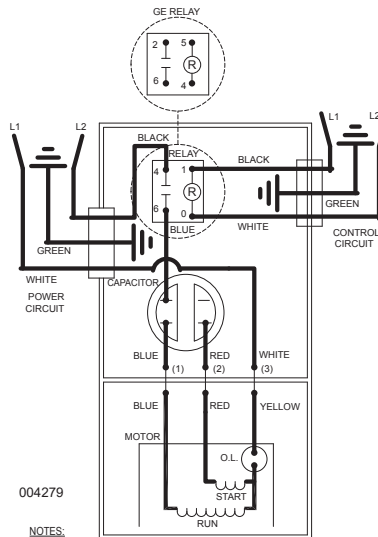
004622
NOTES:
INSULATORS REQUIRED ON GE RELAY TERMINALS 2 & 5.
OMRON RELAY TERMINALS 1 & 4.
WIRING DIAGRAM FOR MODELS
"D295-C" thru "D295-H"
9/86 (VS) thru Current



002397
WIRING DIAGRAM FOR MODELS
"E295-A" thru "E295-G"
7/85 (TR) thru Current



011835
WIRING DIAGRAM FOR MODELS
"WD295-A" thru "WD295-D"
3/98 thru Current



004279
NOTES:
INSULATORS REQUIRED ON GE RELAY TERMINALS 2 & 5.
OMRON RELAY TERMINALS 1 & 4.
WIRING DIAGRAM FOR MODELS
"XE295-A" thru "XE295-E"
7/85 (TR) thru Current

TO ORDER REPLACEMENT PARTS PLEASE FURNISH THE FOLLOWING INFORMATION:

- Model Number.
- Part Number of Pump.
(If manufactured prior to June 1988, give 2 letter date code following Model Number).
- Part Number and Description of part.

REPLACEMENT PARTS LIST FOR MODEL "D295".

See page 4 for illustration.

				MODELS:								
REF. NO.	DESCRIPTION	QTY	NOTES	D295-A	D295-B	D295-C	D295-D	D295-E	D295-F	D295-G	D295-H	
				2/85 NR thru 7/85 TR	8/85 UR thru 8/86 US	9/86 VS thru 5/87 RT	6/87 ST thru 4/03	5/03 thru 5/08	6/08 thru 1/16	2/16 thru 5/16	6/16 thru Current	
1	Case Sw & Cord 230V/1Ph/14ga	1	3,4	004204	004204	004754	004754	014167	014167	014167	014167	
2	* Guard	1		001023	001023	001023	001023	001023	001023	001023	001023	
3	Case-Mach "189/295"	1	3,4	004754	004754	004633	004633	014154	014154	014154	014154	
4	* Arm & Seal Asm "160/180/290"	1	4	002379	002379	004745	004745	004745	004745	004745	004745	
5	* Gasket,Case/Cover	1		001011	001011	001011	001011	001011	001011	001011	001011	
6	Switch Asm "160/180/290"	1	4	004206	004206	004744	004744	004744	004744	004744	004744	
□	Lead Wire (White)	1		004194	004194	NA	NA	NA	NA	NA	NA	
7	* Wire Pkg(5)Wires 1.5/2 HP	1		004174	004174	004751	004751	004751	004751	004751	004751	
8	Relay 230V G1 I(&G5)	1	2	217093	217093	217093	217093	217093	217093	153833	153833	
9	Capacitor & clamp Asm	1		006135	006135	006135	006135	006135	006135	006135	006135	
10	Float,Plastic	1		094039	094039	094039	094039	094039	094039	094039	094039	
11	Guide Asm,Fit Rod	1		001072	001072	001072	001072	001072	001072	001072	001072	
12	Rod Asm,Fit	1		001043	001043	001043	001043	001043	150438	150438	150438	
13	Housing,Mtr-&Str230/1P/1.5-2HP	1	1	004100	004100	004100	004993	004993	019233	019233	019233	
14	* Bearing, Upper Sleeve	1		001012	001012	001012	001012	001012	NA	NA	NA	
	* Bearing, Upper Ball			NA	NA	NA	NA	NA	006703	006703	006703	
15	* Handle	1		217069	217069	217069	217069	217069	217069	217069	217069	
16	Cord Term&Seal 20"/230V/20a/A	1	3	004205	004374	004374	004374	014174	014174	014174	014174	
17	Clamp,#6 Auto-SS	1	3	001769	001769	001769	001769	013764	013764	013764	013764	
18	* Seal,Cord-Asm&Str Rlf T&B 14ga	1	3	004099	004375	004375	004375	015634	015634	015634	015634	
19	* Plug,Test-White	2		034090	034090	034090	034090	034090	034090	034090	034090	
20	* Seal,Thru Wall Term	3		003402	003402	003402	003402	003402	003402	003402	003402	
21	Rotor & Brg Asm 230/1P/1.5-2HP	1		004101	004101	004101	004994	004994	019225	019225	019225	
22	* Bearing,Radial	1		001013	001013	001013	001013	001013	010069	010069	010069	
23	* Seal,Mtr Hsg	1		001014	001014	001014	001014	001014	001014	001014	001014	
24	* Oil,Dielectric-(38 Oz Can)	1		002383	002383	002383	002383	003168	011066	011066	011066	
25	Adapter-Mach	1		001003	001003	001003	001003	001003	001003	001003	001003	
26	* Seal,Shaft	1		002430	002430	002430	002430	002430	002430	002430	002430	
27	Flange Pkg 2"Npt	1		10-1305	10-1305	10-1305	10-1305	10-1305	10-1305	10-1305	10-1305	
	Flange Pkg 3"Npt			10-1306	10-1306	10-1306	10-1306	10-1306	10-1306	10-1306	10-1306	
28	Impeller "295" Bronze	1		004173	004173	004173	004173	004173	004173	004173	154006	
	Impeller "295" Cast iron			NA	NA	NA	NA	NA	NA	NA	154003	
29	Housing,Pump-Mach	1		001005	001005	001005	001005	001005	001005	001005	001005	
30	* Screw,#10-24 X.375 RHM-SI SS	2		001883	001883	001883	001883	001883	001883	001883	001883	
31	* Screw,#6-32x.25RHM SI Tc Stlgr	5		001877	001877	001877	001877	001877	001877	001877	001877	
32	* Screw,.25-20 X .75 HHm-SS	4		001916	001916	001916	001916	001916	001916	001916	001916	
33	* Screw,#6-32x.438Rhssttp"1"Stlzi	2		001877	001877	004644	004644	004644	004644	004644	004644	
34	* Screw,.5-13 X 2 HH Cap-SS	2		001909	001909	001909	001909	001909	001909	001909	001909	
35	* Washer,SS-1.25"Odx.562"Idx.078	2		002115	002115	002115	002115	002115	002115	002115	002115	
36	* Screw,.313-18 X 1"HH Cap-SS	4		002608	002608	002608	002608	002608	002608	002608	002608	
37	* Screw,.25-20x1" HHm-SS	4		007790	007790	007790	007790	007790	007790	007790	007790	
□	Rebuild Kit "189/295"	1		004179	004583	004753	004753	016103	019647	019647	019647	

* Items included in Rebuild Kit. □ Not Shown in Illustration.

NOTES FOR MODEL D295:

- 1) Mtr. Hsg., Brg., Stator & Term. (Item 13) is preassembled at the factory and must be replaced as a unit. Stator is permanently attached to the Motor Housing. Plug (Item 19), Seal, Thru Wall Term. (Item 20) and Bearing - Upper (Item 14) are replaceable.
- 2) Relay "W1" and "W2" Series is not in pump but is in the high level control. See FM0456 "W1" Parts List or FM0457 "W2" Parts List for relay part number.
- 3) If an "X" follows Model No., or Date Mfg. on brass ID tag, consult factory for ordering of this part.
- 4) When ordering these parts, customer must identify if switch is a General Electric switch.
- 5) See FM0160 Parts Price Sheet for listing of parts prices.
- 6) "NA" indicates, not applicable.

REPLACEMENT PARTS LIST FOR MODEL "E295".

See page 4 for illustration.

MODELS:				E295-A	E295-B	E295-C	E295-D	E295-E	E295-F	E295-G
REF. NO.	DESCRIPTION	QTY	NOTES	2/85 NR thru 7/85 TR	8/85 UR thru 8/86 US	9/86 VS thru 5/87 RT	6/87 ST thru 4/03	5/03 thru 5/08	6/08 thru 5/16	6/16 thru Current
1	• Handle	1		217069	217069	217069	217069	217069	217069	217069
2	Cover & Cord 230V/1P "189/295"	1	2	004097	004097	004097	004097	014162	014162	014162
3	Cover-Mach 14ga Cd	1	2	002699	004372	004372	004372	014150	014150	014150
4	• Gasket,Case/Cover	1		001011	001011	001011	001011	001011	001011	001011
5	• Wire Pkg(5)Wires 1.5/2 HP	1		004174	004174	004751	004751	004751	004751	004751
6	Capacitor & Clamp Asm	1		006135	006135	006135	006135	006135	006135	006135
7	Housing,Mtr-&Str230/1P/1.5-2HP	1	1	004100	004100	004100	004993	004993	019233	019233
8	Bearing, Upper Sleeve	1		001012	001012	001012	001012	001012	NA	NA
	• Bearing, Upper Ball			NA	NA	NA	NA	NA	006703	006703
9	Cord Term&Seal 20'/230V/20a/Na	1	2	004098	004376	004376	004376	014175	014175	014175
10	Clamp,#6 Auto-SS	1	2	001769	001769	001769	001769	013764	013764	013764
11	• Seal,Cord-Asm&Str Rif T&B 14ga	1	2	004099	004375	004375	004375	015634	015634	015634
12	• Plug,Test-White	2		034090	034090	034090	034090	034090	034090	034090
13	• Seal,Thru Wall Term	3		003402	003402	003402	003402	003402	003402	003402
14	Rotor & Brg Asm 230/1P/1.5-2HP	1		004101	004101	004101	004994	004994	019225	019225
15	• Bearing,Radial	1		001013	001013	001013	001013	001013	010069	010069
16	• Seal,Mtr Hsg	1		001014	001014	001014	001014	001014	001014	001014
17	• Oil,Dielectric-(38 Oz Can)	1		002383	002383	002383	002383	003168	011066	011066
18	Adapter-Mach	1		001003	001003	001003	001003	001003	001003	001003
19	• Seal,Shaft	1		002430	002430	002430	002430	002430	002430	002430
20	Flange Pkg 2"Npt	1		10-1305	10-1305	10-1305	10-1305	10-1305	10-1305	10-1305
	Flange Pkg 3"Npt	1		10-1306	10-1306	10-1306	10-1306	10-1306	10-1306	10-1306
21	Impeller "295" Bronze	1		004173	004173	004173	004173	004173	004173	154006
	Impeller "295" Cast iron			NA	NA	NA	NA	NA	NA	154003
22	Housing,Pump-Mach	1		001005	001005	001005	001005	001005	001005	001005
23	• Screw,#6-32x.25RHM SI Tc Stlgr	3		001877	001877	001877	001877	001877	001877	001877
24	• Screw,#10-24 X.375 RHM-SI SS	1		001883	001883	001883	001883	001883	001883	001883
25	• Screw,.25-20 X .75 HHm-SS	4		001916	001916	001916	001916	001916	001916	001916
26	• Screw,.5-13 X 2 HH Cap-SS	2		001909	001909	001909	001909	001909	001909	001909
27	• Washer,SS-1.25"Odx.562"ldx.078	2		002115	002115	002115	002115	002115	002115	002115
28	• Screw,.313-18x1" HH Cap-SS	4		002608	002608	002608	002608	002608	002608	002608
29	• Screw,.25-20x1" HHm-SS	4		007790	007790	007790	007790	007790	007790	007790
□	Rebuild Kit "189/295"	1		004179	004583	004753	004753	014193	019648	019648

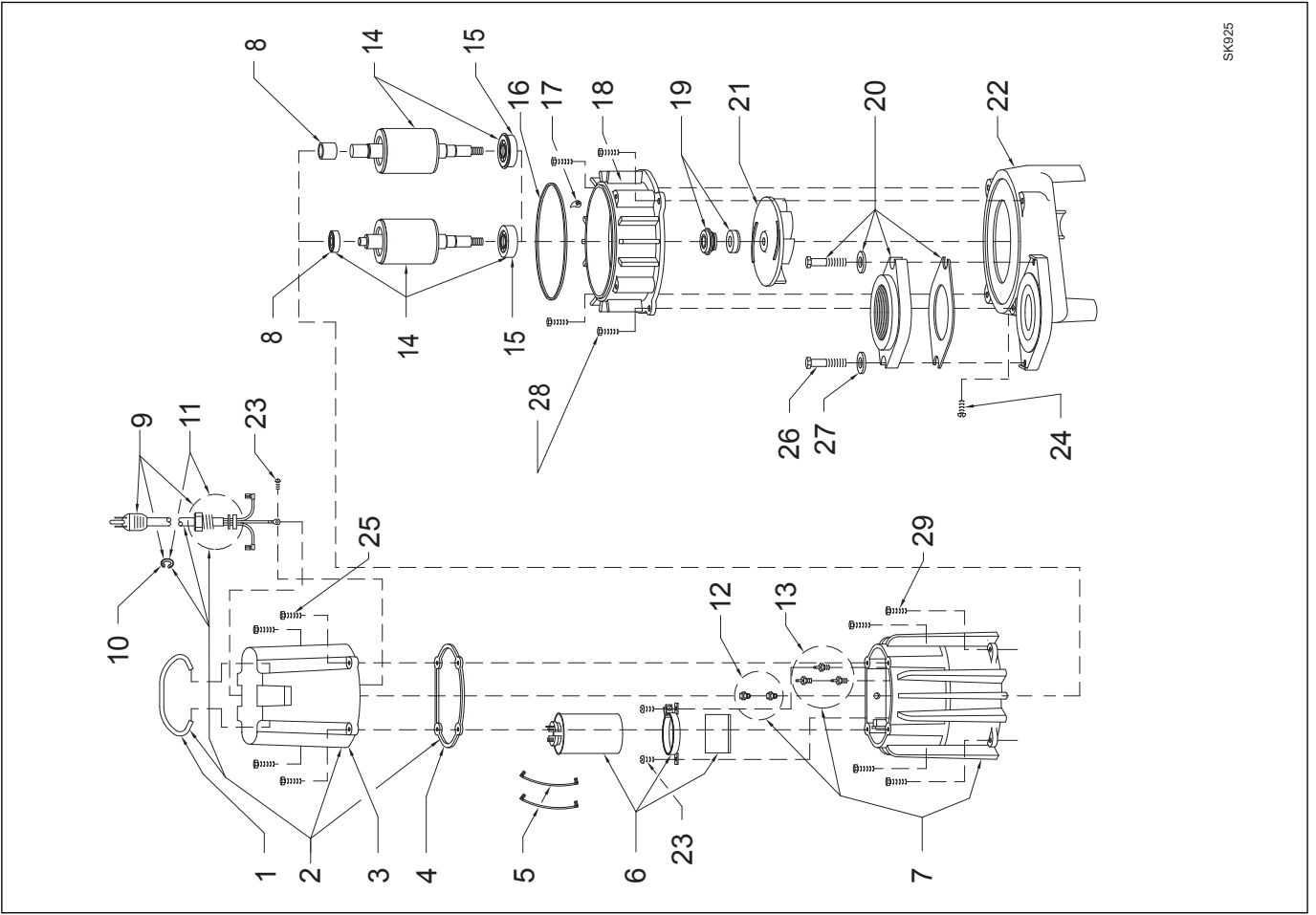
• Items included in Rebuild Kit.

□ Not Shown in Illustration.

NOTES FOR MODEL E295:

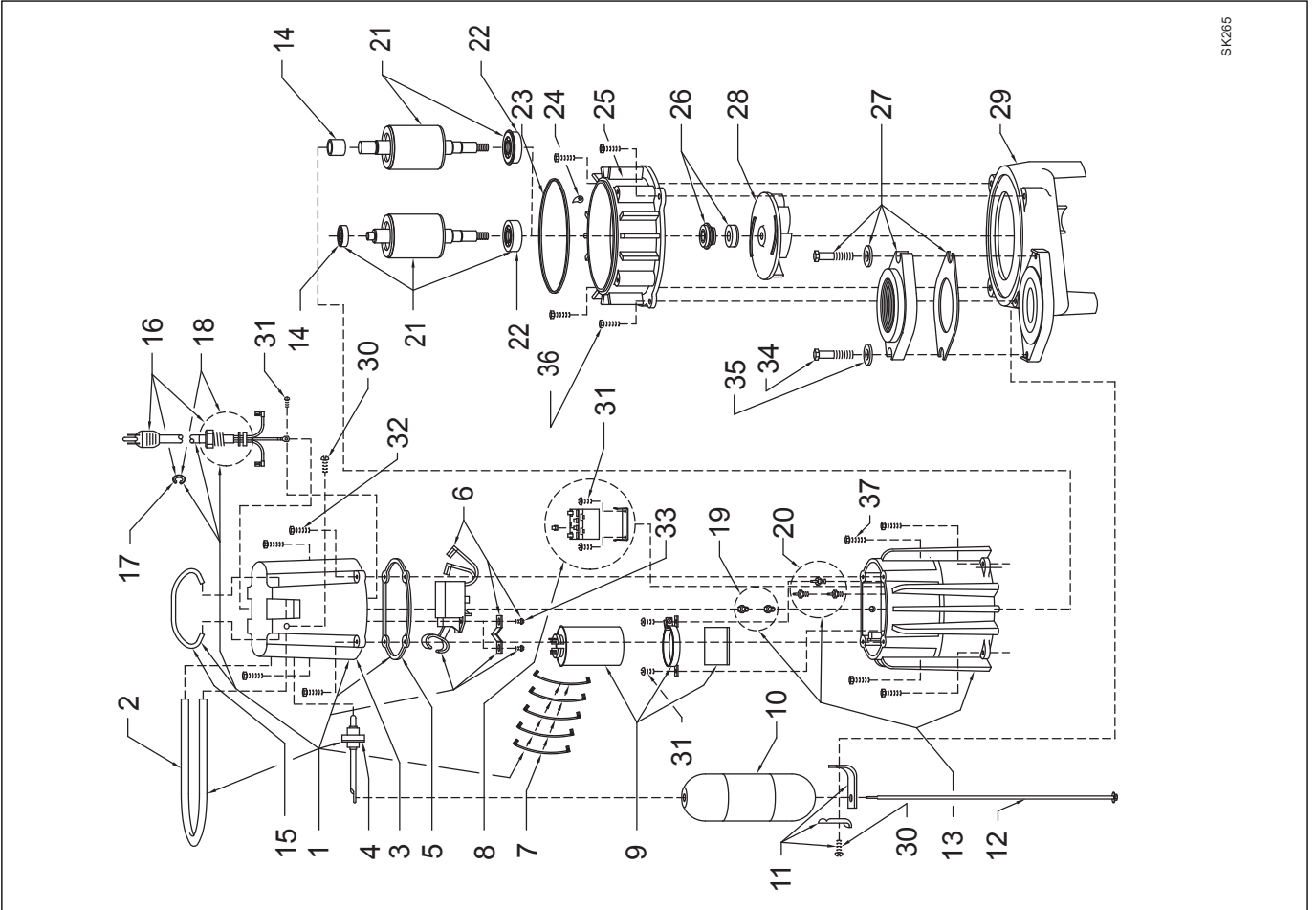
- 1) Mtr. Hsg., Brg., Stator & Term. is preassembled at the factory and must be replaced as a unit. Stator is permanently attached to the Motor Housing. Plug, Seal, Thru Wall Term. and Bearing - Upper are replaceable.
- 2) If an "X" follows Model No., or Date Mfg. on brass ID tag, consult factory for ordering of this part.
- 3) See FM0160 Parts Price Sheet for listing of parts prices.
- 4) "NA" indicates, not applicable.

REPLACEMENT PARTS ILLUSTRATION FOR MODEL "E295".



SK925

REPLACEMENT PARTS ILLUSTRATION FOR MODELS "D295".



SK265

REPLACEMENT PARTS LIST FOR MODEL "WD295".

See page 7 for illustration.

REF. NO.	DESCRIPTION	QTY	NOTES	MODELS:			
				WD295-A	WD295-B	WD295-C	WD295-D
				3/98 thru 4/03	5/03 thru 5/08	6/08 thru 5/16	6/16 thru Current
1	• Handle	1		217069	217069	217069	217069
2	Cover & Cord & Switch	1	2	011874	016113	016113	016113
3	Cord Term Seal 20'/230V/20A	1	2	015353	016115	016115	016115
4	Float Switch, Term & Seal	1		011876	011876	011876	011876
5	• Seal, Cord-Asm & Rlf	1	2	004375	015634	015634	015634
6	• Seal, Float Switch Cord-Asm & Str Rlf	1		094032	094032	094032	094032
7	Connector, Wirenut	1		003753	003753	003753	003753
8	Cover-Mach & Handle Asm	1		011078	016105	016105	016105
9	• Gasket, Case/Cover	1		001011	001011	001011	001011
10	• Wire Pkg(5) Wires 1.5/2HP	1		004751	004751	004751	004751
11	Capacitor & Clamp Asm	1		006135	006135	006135	006135
12	Housing, Mtr-& Str 230V/1PH/1.5-2HP	1	1	004993	004993	019233	019233
13	Bearing, Upper Sleeve	1		001012	001012	N/A	N/A
	• Bearing, Upper Ball			NA	NA	006703	006703
14	• Plug, Test-White	2		034090	034090	034090	034090
15	• Seal, Thru Wall Term	3		003402	003402	003402	003402
16	Rotor & Brg Asm 230V/1PH/1.5-2HP	1		004994	004994	019225	019225
17	• Bearing, Radial	1		001013	001013	010069	010069
18	• Seal, Mtr Hsg	1		001014	001014	001014	001014
19	• Oil, Dielectric-(38 Oz Can)	1		002383	002383	011066	011066
20	Adapter-Mach	1		001003	001003	001003	001003
21	• Seal, Shaft	1		002430	002430	002430	002430
22	Impeller "295" Bronze	1		004173	004173	004173	154006
	Impeller "295" Cast iron			NA	NA	NA	154003
23	Housing, Pump-Mach	1		001005	001005	001005	001005
24	Flange Pkg 2" NPT	1		217024	217024	217024	217024
	Flange Pkg 3" NPT	1		317024	317024	317024	317024
25	• Screw, .25-20 X .75 HHm-SS	4		001916	001916	001916	001916
26	• Screw, .25-20 x 1" HHm-SS	4		007790	007790	007790	007790
27	• Screw, .313-18 x 1" HH Cap-SS	4		002608	002608	002608	002608
28	• Screw, #6-32 x .25 RHM SI Tc Stlgr	3		001877	001877	001877	001877
29	• Screw, .5-13 x 2 HH Cap-SS	2		001909	001909	001909	001909
30	• Washer, SS-1.25"Odx.562"ldx.078	2		002115	002115	002115	002115
31	• Screw, #10-24 x .375 RHM-SI SS	1		001883	001883	001883	001883
☐	Rebuild Kit	1		011877	014193	019648	019648

- Items included in Rebuild Kit.
- ☐ Not Shown in Illustration.

NOTES FOR MODEL WD295:

- 1) Mtr. Hsg., Brg., Stator & Term. is preassembled at the factory and must be replaced as a unit. Stator is permanently attached to the Motor Housing. Plug, Seal, Thru Wall Term. and Bearing - Upper are replaceable.
- 2) If an "X" follows Model No., or Date Mfg. on brass ID tag, consult factory for ordering of this part.
- 3) See FM0160 Parts Price Sheet for listing of parts prices.
- 4) "NA" indicates, not applicable.

REPLACEMENT PARTS LIST FOR MODEL "XE295"

See page 7 for illustration.

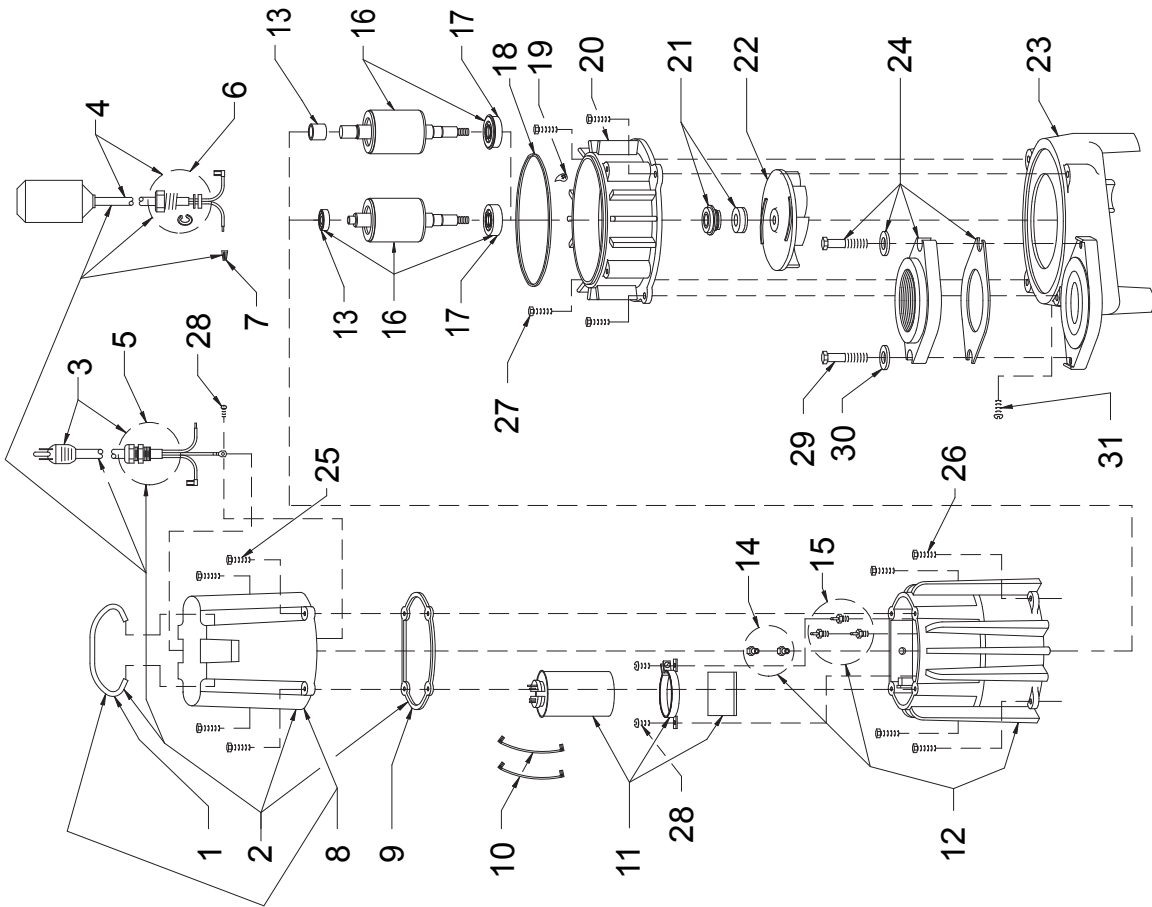
				MODELS:				
				XE295-A	XE295-B	XE295-C	XE295-D	XE295-E
REF. NO.	DESCRIPTION	QTY	NOTES	2/85 NR thru 7/85 TR	8/85 UR thru 8/86 US	9/86 VS thru 5/87 RT	6/87 ST thru 3/98	4/98 thru 7/03
1	* Handle	1		217069	217069	217069	217069	217069
2	Cover & Cords "XE189 & XE295"	1	2	004280	004280	004280	004280	011040
3	Cord Term&Seal 20"/230V/20A	1	2	004098	004376	004376	004376	004376
4	* Seal,Cord-Asm&Str Rlf T&B 14ga	1	2	004099	004375	004375	004375	004375
5	Clamp,#6 Auto-SS	1	2	001769	001769	001769	001769	NA
6	Cord Term&SI-Ctrl"XE189/XE295"	1		004281	004377	004377	004377	011042
7	Seal,Cord-Asm&Str Rlf T&B 18ga	1		002351	004378	004378	004378	094032
8	Clamp,Strain Relief-Red	1	2	001770	001770	001770	001770	001770
9	Cover-Mach Rmt Plt 14ga	1		004276	004373	004373	004373	008857
10	* Gasket,Case/Cover	1		001011	001011	001011	001011	001011
11	* Wire Pkg(5)Wires 1.5/2 HP	1		004174	004174	004751	004751	004751
12	Relay 230V G1 (&G5)	1		217093	217093	217093	217093	217093
13	Capacitor & Clamp Asm	1		006135	006135	006135	006135	006135
14	Housing,Mtr-&Str230/1P/1.5-2HP	1	1	004100	004100	004100	004993	004993
15	Bearing,Sleeve	1		001012	001012	001012	001012	001012
16	* Plug,Test-White	2		034090	034090	034090	034090	034090
17	* Seal,Thru Wall Term	3		003402	003402	003402	003402	003402
18	Rotor & Brg Asm 230/1P/1.5-2HP	1		004101	004101	004101	004994	004994
19	* Bearing,Radial	1		001013	001013	001013	001013	001013
20	Seal,Mtr Hsg	1		001014	001014	001014	001014	001014
21	* Oil,Dielectric-(38 Oz Can)	1		002383	002383	002383	002383	002383
22	Adapter-Mach	1		001003	001003	001003	001003	001003
23	* Seal,Shaft	1		002430	002430	002430	002430	002430
24	Flange Pkg 2"Npt	1		10-1305	10-1305	10-1305	10-1305	10-1305
	Flange Pkg 3"Npt	1		10-1306	10-1306	10-1306	10-1306	10-1306
25	Impeller Br "295"	1		004173	004173	004173	004173	004173
26	Housing,Pump-Mach	1		001005	001005	001005	001005	001005
27	* Screw,.25-20 X .75 HHm-SS	4		001916	001916	001916	001916	001916
28	* Screw,.313-18 X 1"HH Cap-SS	4		002608	002608	002608	002608	002608
29	* Screw,#10-24 X.375 RHM-SI SS	1		001883	001883	001883	001883	001883
30	* Screw,.5-13 X 2 HH Cap-SS	2		001909	001909	001909	001909	001909
31	* Washer,SS-1.25"Odx.562"Idx.078	2		002115	002115	002115	002115	002115
32	* Screw,#6-32x.25RHM SI Tc Stlgr	4		001877	001877	001877	001877	001877
33	* Screw,.25-20x1" HHm-SS	4		007790	007790	007790	007790	007790
☐	Rebuild Kit "189/295"	1		004179	004583	004753	004753	004753

- Items included in Rebuild Kit.
- ☐ Not Shown in Illustration.

NOTES FOR MODEL XE295:

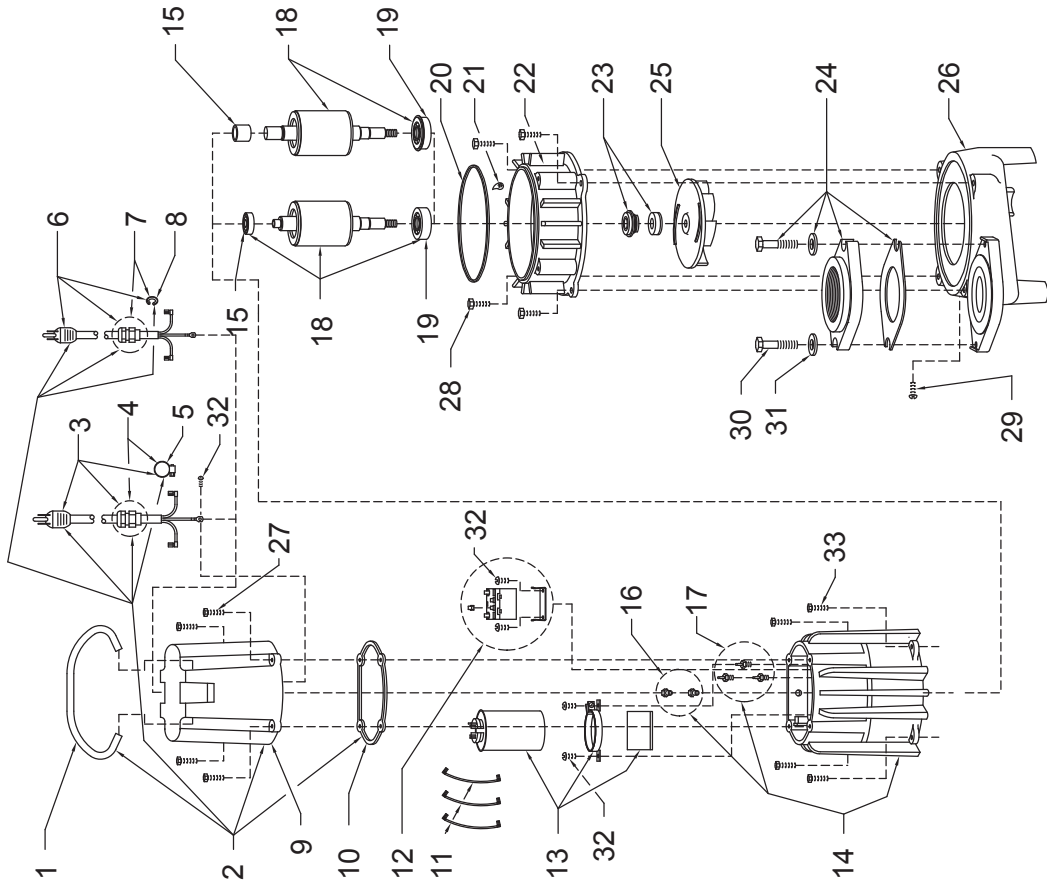
- 1) Mtr. Hsg., Brg., Stator & Term. is preassembled at the factory and must be replaced as a unit. Stator is permanently attached to the Motor Housing. Plug, Seal, Thru Wall Term. and Bearing - Upper are replaceable.
- 2) If an "X" follows Model No., or Date Mfg. on brass ID tag, consult factory for ordering of this part.
- 3) See FM0160 Parts Price Sheet for listing of parts prices.
- 4) "NA" indicates, not applicable.

REPLACEMENT PARTS ILLUSTRATION FOR MODEL "WD295"



SK1769

REPLACEMENT PARTS ILLUSTRATION FOR MODEL "XE295"



SK926



MAIL TO: P.O. BOX 16347 • Louisville, KY 40256-0347
SHIP TO: 3649 Cane Run Road • Louisville, KY 40211-1961
(502) 778-2731 • 1 (800) 928-PUMP • FAX (502) 774-3624

Visit our website:
zoellerpumps.com

Trusted. Tested. Tough.®

© Copyright 2016 Zoeller® Co. All rights reserved.