

Trusted. Tested. Tough.®

Product information presented here reflects conditions at time of publication. Consult factory regarding discrepancies or inconsistencies.

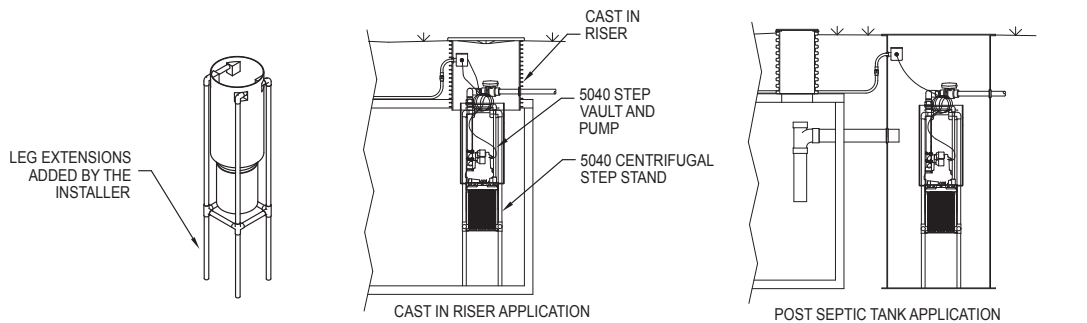
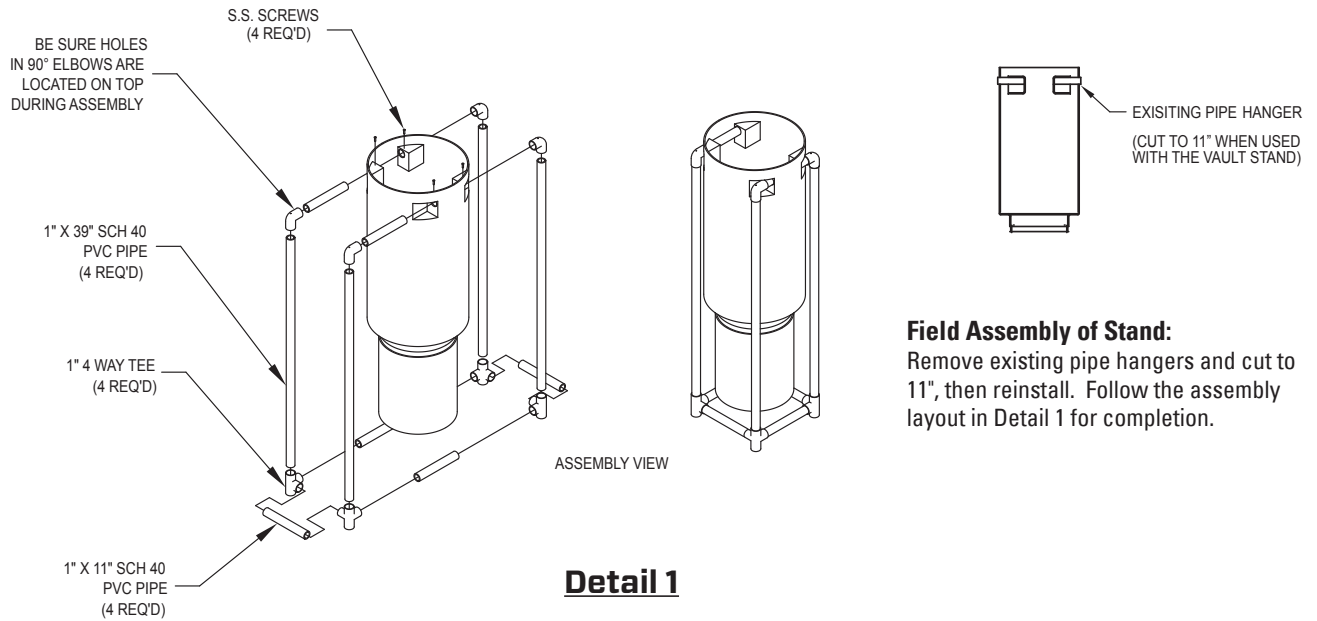


SECTION: C1.60.125
CL0135
0321
Supersedes
0512

MAIL TO: P.O. BOX 16347 • Louisville, KY 40256-0347
SHIP TO: 3649 Cane Run Road • Louisville, KY 40211-1961
TEL: (502) 778-2731 • 1 (800) 928-PUMP • FAX: (502) 774-3624

Visit our website:
zoellerpumps.com

Centrifugal STEP Vault Stand INSTALLATION INSTRUCTIONS



Detail 2

Assembling Leg Extensions:

Determine the length needed of 1" SCH 40 PVC pipe for the leg extensions and glue the appropriate length pipe into the bottom of the 4-way tee. Install unit as per typical installation. See Detail 2.

Product information presented here reflects conditions at time of publication. Consult factory regarding discrepancies or inconsistencies.