

Product information presented here reflects conditions at time of publication. Consult factory regarding discrepancies or inconsistencies.



MAIL TO: P.O. BOX 16347 • Louisville, KY 40256-0347  
SHIP TO: 3649 Cane Run Road • Louisville, KY 40211-1961  
TEL: (502) 778-2731 • 1 (800) 928-PUMP • FAX: (502) 774-3624

Visit our website:  
zoellerpumps.com

## WW4 Filter Sock

### WW4 FILTER SOCK INSTALLATION INSTRUCTIONS

#### APPLICATION

Use the Filter Sock in conjunction with the Zoeller Pump Company WW4 Effluent Filter P/N 5000-0007 to reduce particle size to a maximum of 1/32".

#### INSTALLATION

1. Remove the primary filter assembly from the Zoeller Pump Company WW4 filter assembly.
2. Place the primary filter assembly down into the Filter Sock (see Fig. 1).
3. Loop one end of the string around the filter holder post and tie the filter sock above the lower rim of the filter holder (see Fig. 2 and Fig. 3).
4. Press excess Filter Sock in between filters (see Fig. 4).
5. Place the primary filter assembly back in the Zoeller Pump Company WW4 housing.
6. Recommended peak flow through the filter is 1500 GPD. Multiple WW4 filters may be manifolded together for installations requiring a greater flow rate (see Fig. 6).



Fig. 1



Fig. 2



Fig. 3



Fig. 4

All Zoeller Pump Company products must be installed and maintained in accordance with all applicable codes. Product information presented here reflects conditions at time of publication. Consult factory regarding discrepancies or inconsistencies.

# Limited Warranty

Manufacturer warrants, to the purchaser and subsequent owner during the warranty period, every new product to be free from defects in material and workmanship under normal use and service, when properly used and maintained, for a period of one year from date of purchase by the end user, or 18 months from date of original manufacture of the product, whichever comes first. Parts that fail within the warranty period, one year from date of purchase by the end user, or 18 months from the date of original manufacture of the product, whichever comes first, that inspections determine to be defective in material or workmanship, will be repaired, replaced or remanufactured at manufacturer's option, provided however, that by so doing we will not be obligated to replace an entire assembly, the entire mechanism or the complete unit. No allowance will be made for shipping charges, damages, labor or other charges that may occur due to product failure, repair or replacement.

This warranty does not apply to and there shall be no warranty for any material or product that has been disassembled without prior approval of manufacturer, subjected to misuse, misapplication, neglect, alteration, accident or act of God; that has not been installed, operated or maintained in accordance with manufacturer's installation instructions; that has been exposed to outside substances including but not limited to the following: sand, gravel, cement, mud, tar, hydrocarbons, hydrocarbon derivatives (oil, gasoline, solvents, etc.), or other abrasive or corrosive substances, wash towels or feminine sanitary products, etc. The warranty set out in the paragraph above is in lieu of all other warranties expressed or implied; and we do not authorize any representative or other person to assume for us any other liability in connection with our products.

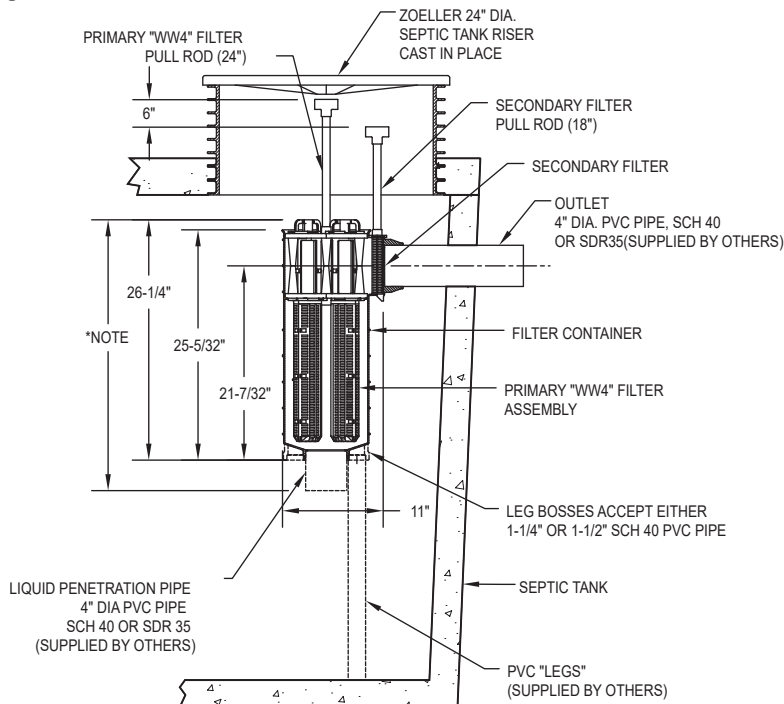
Contact manufacturer at, 3649 Cane Run Road, Louisville, Kentucky 40211, Attention: Customer Service Department to obtain any needed repair or replacement of part(s) or additional information pertaining to our warranty.

**MANUFACTURER EXPRESSLY DISCLAIMS LIABILITY FOR SPECIAL, CONSEQUENTIAL OR INCIDENTAL DAMAGES OR BREACH OF EXPRESSED OR IMPLIED WARRANTY; AND ANY IMPLIED WARRANTY OF FITNESS FOR A PARTICULAR PURPOSE AND OF MERCHANTABILITY SHALL BE LIMITED TO THE DURATION OF THE EXPRESSED WARRANTY.**

Some states do not allow limitations on the duration of an implied warranty, so the above limitation may not apply to you. Some states do not allow the exclusion or limitation of incidental or consequential damages, so the above limitation or exclusion may not apply to you.

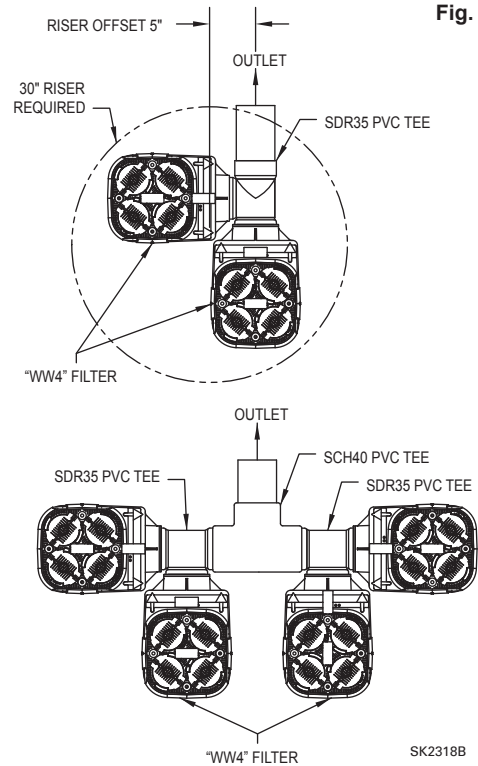
This warranty gives you specific legal rights and you may also have other rights which vary from state to state.

Fig. 5



SK2318A

Fig. 6



SK2318B

## SERVICING

A routine maintenance schedule must be set up for each commercial application. Each application will vary depending on the amount and type of waste generated by the application. During the first two months of filter installation, the filter should be checked every two weeks.

To clean, withdraw the primary filter (long handle) with the Filter Sock attached and rinse back into the septic tank and replace. Next, remove the secondary filter (1/16" protection short handle), rinse and replace.

Cleaning the Filter Sock can be performed by business personnel or a service company. If a service company is used, the primary filter with Filter Sock should be placed in a large plastic bag for pickup by the service company. As an alternative, landfill the dirty sock and replace it following the instructions on page 1 of this sheet. A clean primary filter assembly with Filter Sock should be placed back into the WW4 housing. Remove the secondary filter and clean off. An extra primary filter assembly with Filter Sock should be kept on hand by the business and service company. Depending on the amount of waste generated by the application, service intervals may be as short as a few days.