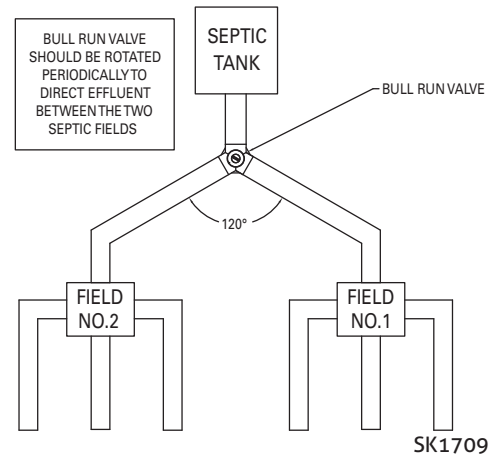
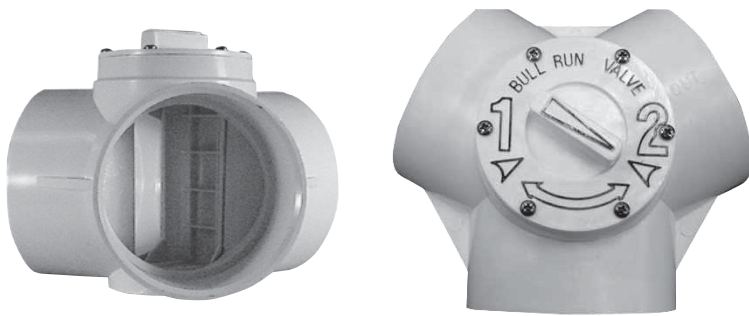


Product information presented here reflects conditions at time of publication. Consult factory regarding discrepancies or inconsistencies.

Technical Data

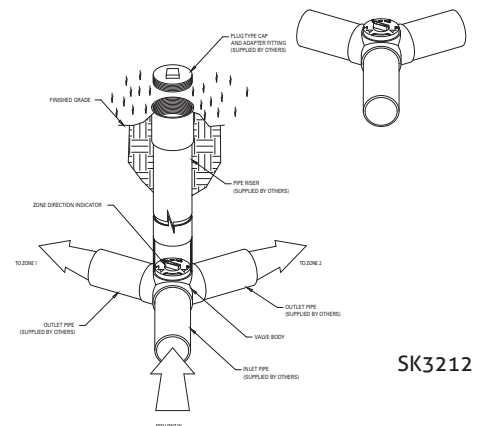
Bull Run Valve

Bull Run® Valve is designed to direct flow between alternate septic fields or systems. Manually operating this valve allows one field to rest while directing the flow to the alternate field. Intended for seasonal or annual use, the Bull Run® Valve can help protect property values and create a healthier environment. The user has no contact with wastewater due to the valve's leak proof and external operating characteristics. The changeover from one drain field to another can be accomplished in less than a minute without digging by simply turning the top bar.



Features

- Available in 4" SCH 40 PVC
- Suitable whenever dual gravity disposal systems (drain fields) are used
- Appropriate for residential or commercial use
- Actuator keys up to 48" in length are available
- Changeover from one drain field to another without digging by simply turning the switch on top



Bull Run Valve	
Part Number	Description
170-0022	Bull Run Valve
170-0044	28" long actuator key for Bull Run Valve
170-0045	36" long actuator key for Bull Run Valve
170-0046	48" long actuator key for Bull Run Valve



Certified to
NSF/ANSI
Standard 46