

NOTICE TO INSTALLER: Instructions must remain with installation.

Trusted. Tested. Tough.®

SECTION: C4.00.003

CL0075

0421

Supersedes

0321

Product information presented here reflects conditions at time of publication. Consult factory regarding discrepancies or inconsistencies.



Register your
Zoeller Pump Company Product
on our website:
<http://reg.zoellerpumps.com/>

MAIL TO: P.O. BOX 16347 • Louisville, KY 40256-0347
SHIP TO: 3649 Cane Run Road • Louisville, KY 40211-1961
TEL: (502) 778-2731 • 1 (800) 928-PUMP • FAX: (502) 774-3624

Visit our website:
zoellerpumps.com

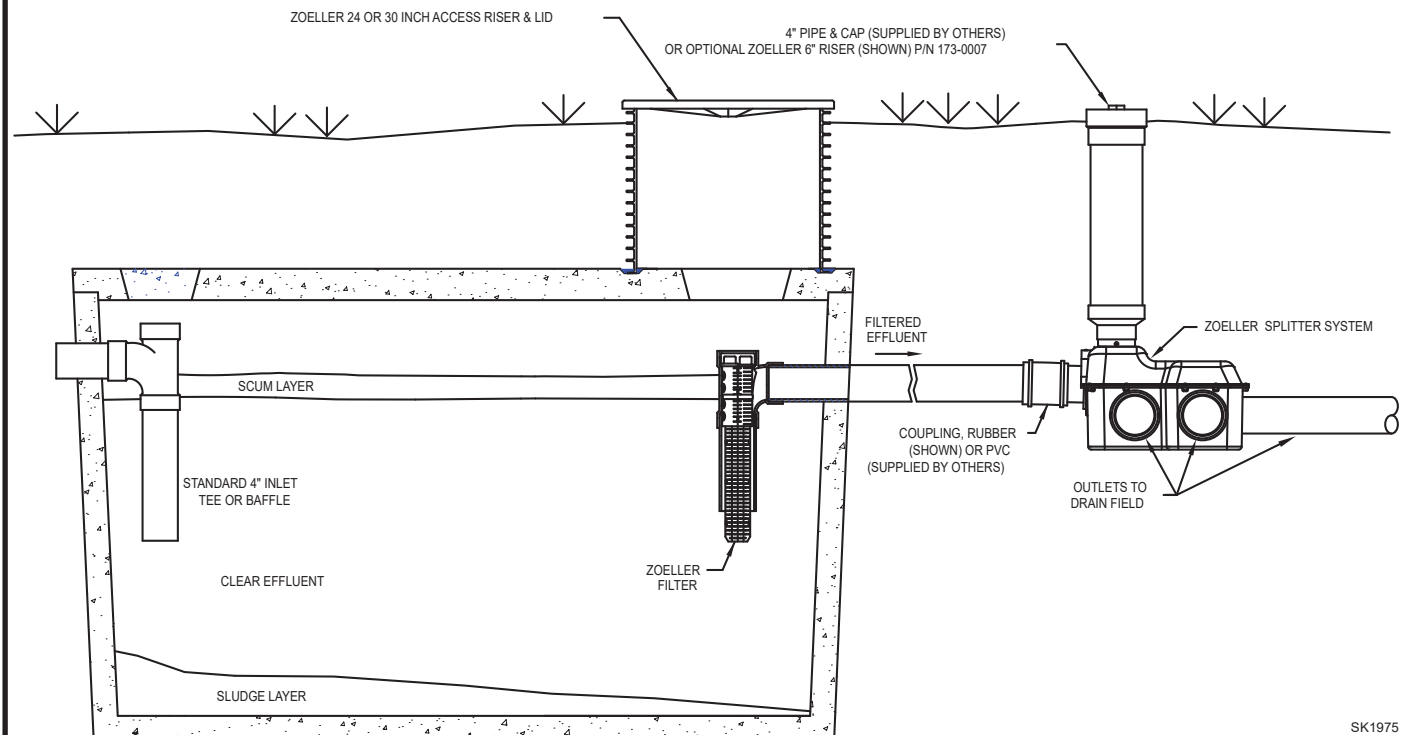
TRU-FLOW® Splitter System OWNER'S MANUAL

1. Inspect your Zoeller Pump Company Tru-Flow® Splitter System unit. Occasionally products are damaged during shipment. If unit is damaged, contact your dealer before starting the installation.
2. Carefully read the literature and installation instructions to familiarize yourself with specific details regarding installation. These materials should be retained for future reference.
3. The use of an effluent filter is strongly recommended in order to protect components downstream from the septic tank.

HELPFUL INFORMATION FOR EASY INSTALLATION

Note: The TRU-FLOW® Splitter System must sit level on undisturbed ground or on packed sand or gravel before backfilling.

1. Zoeller Pump Company Tru-Flow® Splitter Systems are designed for installation on the outlet pipe of the septic tank. If a complete system has been purchased, all the components will be included except the trench pipes, fittings, and any necessary risers (See Figure Below).
2. If the Zoeller Pump Company Tru-Flow® Splitter System is being retrofitted into an existing septic system, it may be necessary to pump and clean out the septic tank before attempting to install the splitter system.
3. The septic tank outlet pipe and all trench pipes should be exposed or accessible for connections or insertion to the splitter system.



SK1975

STEP 1

Splitter System Outlets

- 1.1) Determine the number of outlets to be used on the splitter system based on the layout of the trench field. When pumping to the splitter system, optimum results are obtained if:
 - a.) Installations requiring 4 slot openings/trench lines utilize slot openings 1, 2, 4, & 5.
 - b.) Installations requiring 3 slot openings/trench lines utilize slot openings 1, 3, & 5.
- 1.2) Score and cut through with a knife at the bottom of v-groove. If required score several times around and cut through. **DO NOT HIT WITH A HAMMER.**
- 1.3) Trim and clean the diameter of the hole, leaving it the same as the molded diameter. **DO NOT OVER TRIM DIAMETER.** Refer to **Figure 2.2**

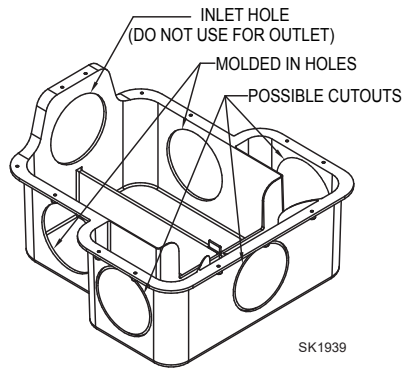


Figure 1.1

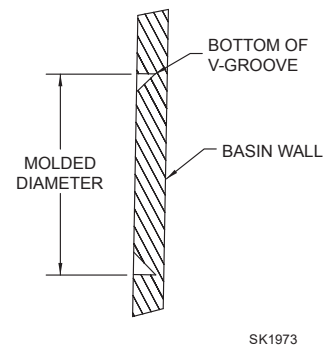


Figure 1.2

STEP 2

Installation of Pipe Seals and Slotted Pipe Nipple

Splitter system is supplied with pipe seals that accommodates 4" SDR 35 and Sch 40 pipe.

- 2.1) Apply sealant around mating surface of pipe seal as shown in Figure 2.1. Repeat for each required pipe seal.
- 2.2) Place pipe seals in necessary holes as shown in Figure 2.2 & Figure 2.3.
- 2.3) Insert slotted pipe nipple through the inlet hole and pipe seal, pushing through about 3/4". See Figure 2.4.

Note: Assure the slot end of the pipe nipple is inside the basin and the slot is facing upward and centered.

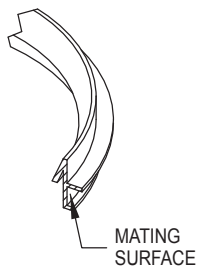


Figure 2.1

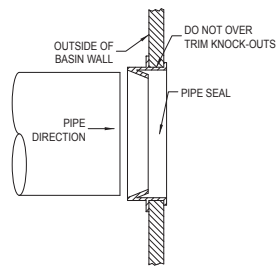


Figure 2.2

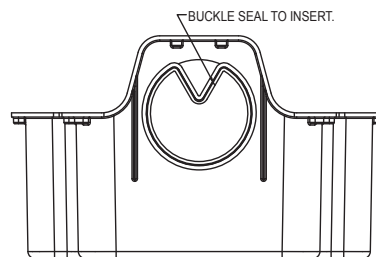


Figure 2.3

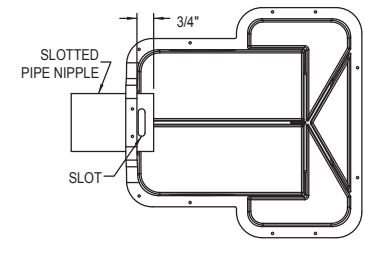


Figure 2.4

STEP 3

Installation of Assembled Basin

- 3.1) Set basin into place.
- 3.2) Insert necessary trench pipes into basin, pushing through approximately 1-1/2". See Figure 3.1. The number of pipes varies for each installation.
- 3.3) Connect the inlet pipe to slotted pipe nipple with a coupling (flexible rubbers shown). Do not tighten coupling at this time. If used see Figure 3.2.
- 3.4) Installations in which the splitter system will be pumped to are required to have at least a 3' length of 4" PVC and a 4" elbow connected to the slotted pipe nipple. See Figure 3.3 for required positioning of elbow. This piping configuration will promote smooth uniform flow. The piping from the pump to the elbow should be sized based on the pump discharge. Use bushings/reducers as necessary to connect to the elbow.
- 3.5) Maximum flow through the splitter system is dependent on the number of trench pipe openings. **The splitter system can handle 30 gpm with 5 openings, 21 gpm with 4 openings, 17 gpm with 3 openings and 13 gpm with 2 openings.**

Note: Assure slot in pipe nipple is centered and facing upward when connecting coupling or PVC.

Note: Basin must be leveled at this time in both directions.

Note: The splitter system must sit level on undisturbed ground or on packed sand or gravel before backfilling.

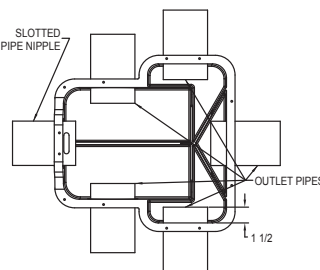


Figure 3.1

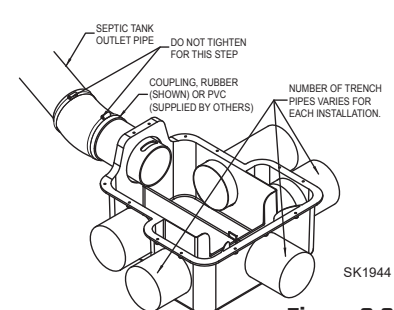


Figure 3.2

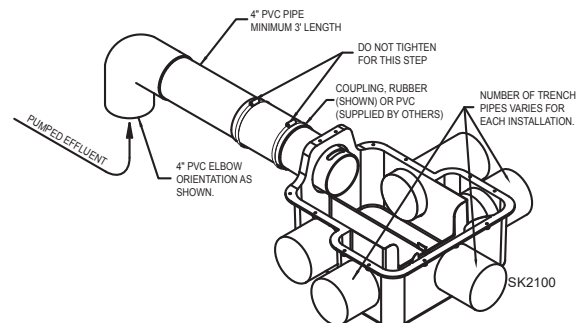
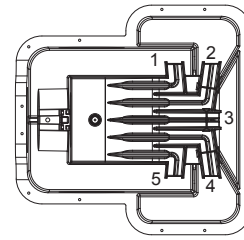


Figure 3.3

STEP 4

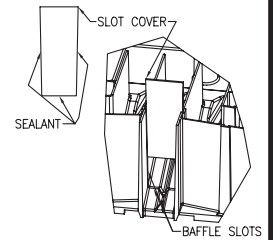
Installation of Slot Covers

- 4.1) Determine the required number of slot covers from Figure 1.1 and the required baffle slot for each slot cover. See Figure 4.1.
- 4.2) Blank slot covers should be installed in the baffle slot openings of 2, 3 and 4 if their corresponding cutouts are not to be used for trench pipes. See Figure 1.1 and 4.1. When cutouts 2 and/or 3 and/or 4 are used and the splitter system is being pumped to, these baffle slots must have slot covers with the restrictor opening installed.
- 4.3) **Apply RTV Silicone or PVC cement to the bottom and sides of the necessary slot cover.** See Figure 4.2.
- 4.4) Place slot cover into baffle slot. **Apply additional RTV Silicon or PVC cement as needed along edges.** See Figure 4.2. Repeat steps 4.3 & 4.4 for each required slot cover.



SK1945

Figure 4.1



SK1946

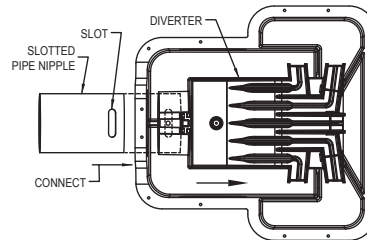
Figure 4.2

Note: Assure each required slot cover is sealed to prevent leakage into D-Box basin.

STEP 5

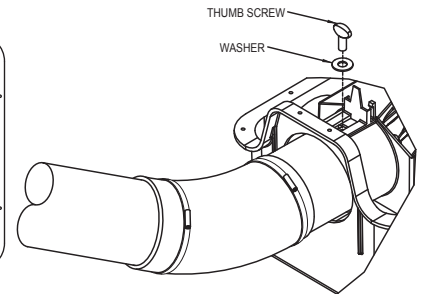
Installation of Diverter and Thumb Screw

- 5.1) Set diverter into place and insert slotted pipe nipple into the diverter. See Figure 5.1.
- 5.2) Engage 3/8"-16 thumb screw and large washer onto the diverter as shown in figure 5.2. **DO NOT OVERTIGHTEN THUMB SCREW.**
- 5.3) Slide diverter and slotted pipe nipple as far forward as possible, see arrow in Figure 5.1.
- 5.4) Tighten rubber coupling, which connects inlet pipe and slotted pipe nipple.



SK1947

Figure 5.1



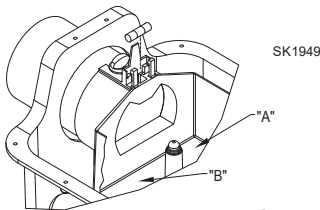
SK1948

Figure 5.2

STEP 6

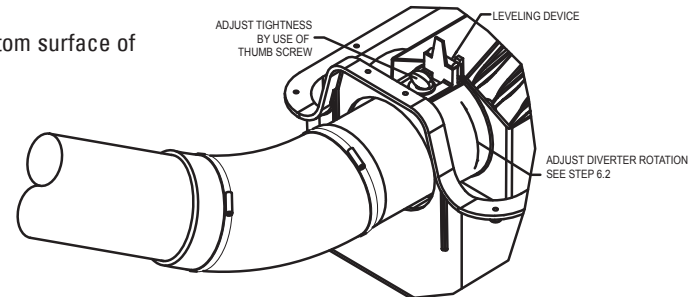
Installation of Level and Initial Adjustment

- 6.1) Snap level into the diverter. See Figure 6.1.
- 6.2) Level the diverter by use of the thumb screw and tap the bottom surface of the diverter at "A" & "B" see Figure 6.1. See Figure 6.2. **DO NOT OVER TIGHTEN THUMB SCREW.**



SK1949

Figure 6.1



SK1950

Figure 6.2

STEP 7

Installation of Riser and Cover

- 7.1) **Apply ample amounts of RTV Silicone to outside of SCH40 or SDR35 pipe (supplied by others).**
- 7.2) Attach riser pipe SCH40 or SDR35 (supplied by others) to cover as shown in Figure 7.1.
- 7.3) **Place an ample coating of RTV Silicone around the basin lip to form a gasket.**
- 7.4) Place cover onto basin, then attach washers and screws as shown in Figure 7.2. Repeat where necessary.
- 7.5) Fill in dirt around splitter system, necessary pipes, connections, risers, and trenches.

Note: Assure riser opening is capped to prevent debris from entering the splitter system. Do not glue cap. Flag location of splitter system riser to prevent damage.

Note: Do not over tighten screws.

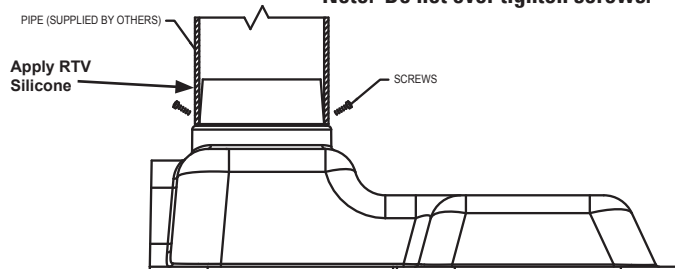
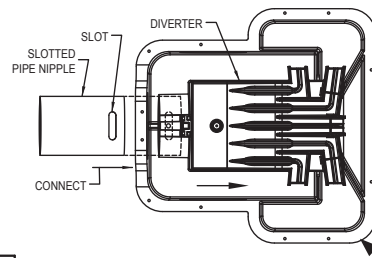


Figure 7.1

SK1951



SK1947

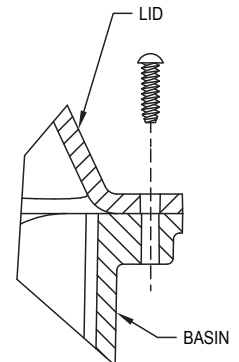


Figure 7.2

SK1952

STEP 8

Final Adjustment

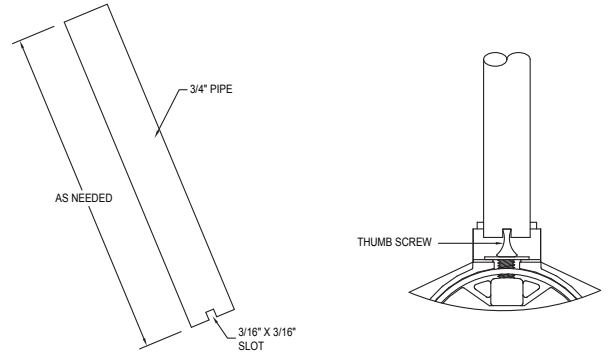
8.1) Check the level on the diverter. If adjustment is not needed, proceed to the next step. If adjustment is needed, reference the Maintenance Instructions (below) for proper adjustment and leveling of the diverter.

Your new Zoeller Pump Company Splitter System is now in service.

Maintenance

The splitter system should be checked annually in conjunction with your yearly septic system inspection.

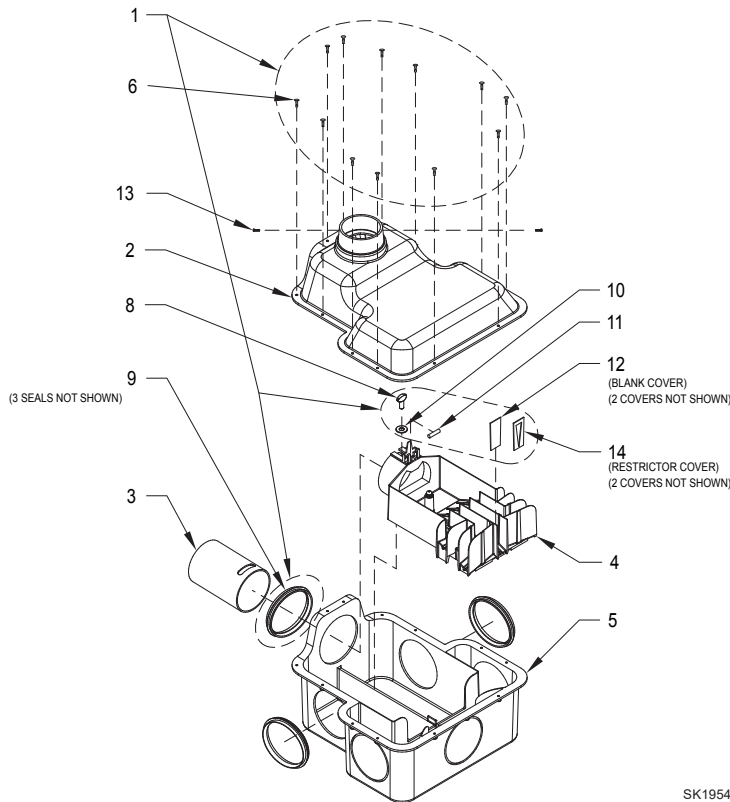
- 1) Remove cap on riser.
- 2) Check the level on the diverter with flashlight. If the level does not need adjustment, then maintenance is not required at this time. If level is not centered between the lines, then proceed to the next step.
- 3) Loosen the thumb screw (two full turns max) until the diverter can be adjusted. The thumb screw can be adjusted by hand or by using a 3/4" pipe (not supplied) with a slot as shown in Figure A.1.
- 4) Using the 3/4" pipe, or by hand, tap at point "A" or "B" on the bottom surface of the diverter until the diverter is level. See Step 6 on page 3, Figure 6.1.
- 5) Once the diverter is leveled, tighten the thumb screw until the diverter is stationary. **DO NOT OVERTIGHTEN THE THUMB SCREW.** Check bubble level with flashlight. If diverter becomes unlevel during tightening, repeat steps 3, 4 and 5.
- 6) Replace cap on riser.



SK1953

Figure A.1

Replacement Parts List for Model 173-0001 Splitter System



SK1954

REF.#	DESCRIPTION	QTY.	PART 173-0001
1	Hardware Pack	1	013236
2	Cover	1	013043
3	Slotted Pipe Nipple	1	013241
4	Diverter	1	012925
5	Basin	1	013044
8	Thumb Screw, Plastic 3/8"-16	1	013239
10	Washer, SS-1" O.D.	1	006413

HARDWARE PACK P/N 013236			
REF.#	P/N	DESCRIPTION	QTY.
6	014515	Screw, SS#12 x 3/4" Phillips	12
9	013238	Pipe Seal, Tuf-Tite/ Yellow	6
11	013237	Bubble Level, 3/8" x 1 3/8" LG	1
12	013240	Slot Cover	3
13	011644	Screw, SS #10-16 x 1/2" Phillips	2
14	013753	Cover, Slot Diverter	3

Lifetime Warranty: Every Zoeller Splitter System is guaranteed to be free from defects in materials and workmanship for the lifetime of the homeowner/purchaser. Free repair or replacement, excluding labor, will be made on return of the splitter system prepaid to the factory. This warranty is limited to product proven to be free from abuse or improper installation.

All Zoeller Pump Company products must be installed and maintained in accordance with all applicable codes. Product information presented here reflects conditions at time of publication. Consult factory regarding discrepancies or inconsistencies.