

Trusted. Tested. Tough.®

Product information presented here reflects conditions at time of publication. Consult factory regarding discrepancies or inconsistencies.

Register your
Zoeller Pump Company Product
on our website:
<http://reg.zoellerpumps.com/>



SECTION: C2.20.130

CL0047

0421

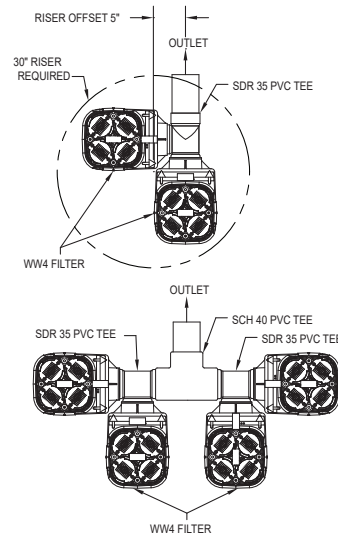
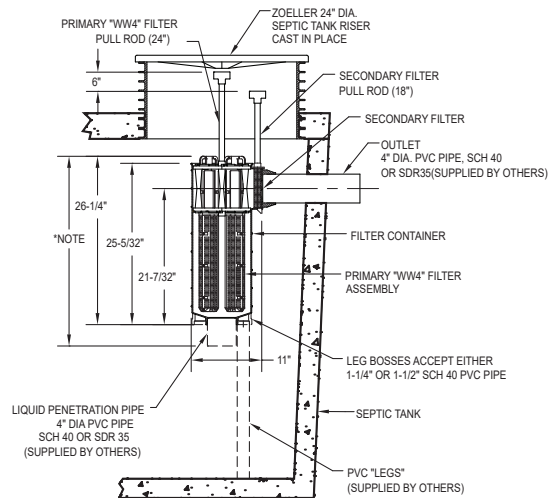
Supersedes

0515

MAIL TO: P.O. BOX 16347 • Louisville, KY 40256-0347
SHIP TO: 3649 Cane Run Road • Louisville, KY 40211-1961
TEL: (502) 778-2731 • 1 (800) 928-PUMP • FAX: (502) 774-3624

Visit our website:
zoellerpumps.com

WW4 Effluent Filter, P/N 5000-0007 OWNER'S MANUAL



*NOTE: STATE AND LOCAL PLUMBING CODES MAY REQUIRE A SPECIFIC LIQUID PENETRATION. FOR EXAMPLE, 25% - 40% INTO THE LIQUID DEPTH OR 9" OFF THE TANK BOTTOM.



SK2318

Application: Single family homes or commercial applications.

Filter Area: 528 linear feet of 1/16" filtration.

Flow Rate: 4,000 GPD. Two or more filters may be connected with a manifold for higher flow applications.

Material: All materials are non-corrodible in the septic tank environment. Materials of construction are PVC, ABS, and polyethylene.

Easy To Install Or Retrofit: The WW4 Filter adapts to either a SCH 40 or SDR 35 4" discharge pipe. Zoeller Pump Company recommends the use of PVC support legs for additional stability. The filter container has pipe bosses for either 1-1/4" or 1-1/2" pipe legs. Refer to the drawing above for an illustration. Dry fit the components to ensure proper length of the support pipe. For permanent placement, attach the components using solvent cement. Clean and solvent weld the (2) 1/2" PVC pipes (included) into the primary filter inlet hubs. The 24-inch PVC pipe is for the filter assembly and the 18 inch PVC pipe is for the secondary filter. For installations that exceed the design flow rate of one filter, use a manifold type arrangement to add filters as required.

Easy To Maintain: The filter element can be removed for maintenance by pulling the longer PVC handle out of the filter container. The secondary filter will remain in the container while the cartridge is cleaned. To clean, hold filter assembly over septic tank opening and rinse with tap water, washing filtered solids back into the septic tank. In addition, spray off any solids that have accumulated on the inside of the filter container. Reinstall the filter element. Next, remove the secondary filter and rinse with tap water. The WW4 Filter should be cleaned each time the septic tank is pumped or when the need is indicated by a high water level in the tank or slow flows from the source. For installations that exceed the design flow rate of the filter or in applications where the septic tank is undersized, more frequent cleanings may be required. It is recommended that the filter be inspected and serviced as part of a regular septic tank maintenance routine.

Troubleshooting, Repair, and Replacement: Follow the installation and maintenance instructions above. For replacement components, call 1-800-928-7867.

Lifetime Warranty: Every Zoeller Pump Company filter is guaranteed to be free from defects in materials and workmanship for the lifetime of the homeowner/purchaser. Free repair or replacement, excluding labor, will be made on return of the filter prepaid to the factory. This warranty is limited to product proven to be free from abuse or improper installation.

ALL ZOELLER PUMP COMPANY PRODUCTS MUST BE INSTALLED IN ACCORDANCE WITH PLUMBING AND HEALTH DEPARTMENT CODES.

Product information presented here reflects conditions at time of publication. Consult factory regarding discrepancies or inconsistencies.