

MAIL TO: P.O. BOX 16347 • Louisville, KY 40256-0347
SHIP TO: 3649 Cane Run Road • Louisville, KY 40211-1961
Tel: (502) 778-2731 • 1 (800) 928-PUMP

Visit our website:
zoellerpumps.com

Product information presented here reflects conditions at time of publication. Consult factory regarding discrepancies or inconsistencies.

TECHNICAL DATA

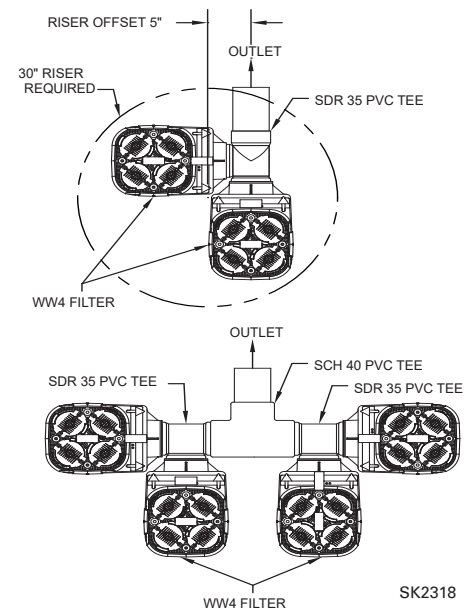
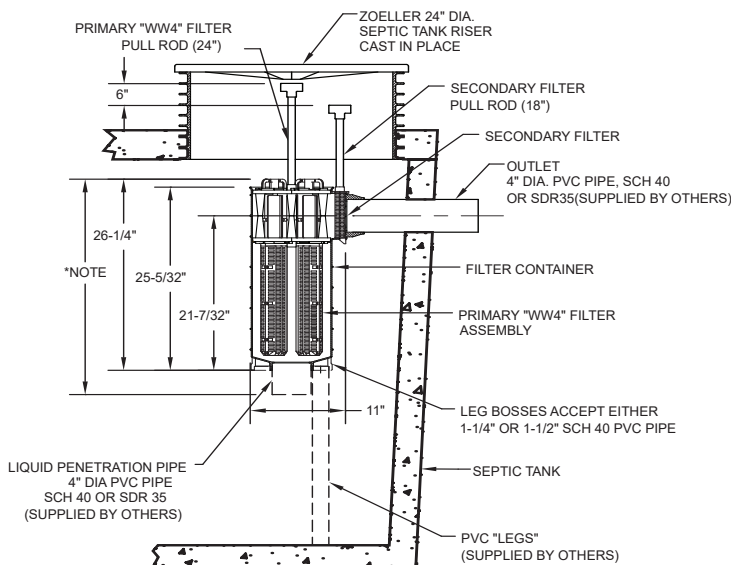
WW4 Effluent Filter



Features

- Rated for 4,000 gpd
- Can be clustered together for higher flow applications
- 528 linear feet of 1/16" filtration
- Attaches to 4" SCH 40 or SDR 35 PVC outlet pipe
- Easy to install and maintain in new or existing septic tanks
- Integral bypass protection screen
- Lifetime warranty
- Alarms and filter socks available

Part Number	Description
5000-0007	WW4 effluent filter
5000-0010	1/32" filter sock for WW4
153240	Primary filter cartridge assembly
153241	Secondary screen
91104-0001	A-Pak® Outdoor/115V/1Ph/15ft float
5090-0014	Alarm bracket assembly



*NOTE: STATE AND LOCAL PLUMBING CODES MAY REQUIRE A SPECIFIC LIQUID PENETRATION. FOR EXAMPLE, 25% - 40% INTO THE LIQUID DEPTH OR 9" OFF THE TANK BOTTOM.