

Trusted. Tested. Tough.®

SECTION: C2.10.130

CL0040

0421

Supersedes

0318

Product information presented here reflects conditions at time of publication. Consult factory regarding discrepancies or inconsistencies.



MAIL TO: P.O. BOX 16347 • Louisville, KY 40256-0347
SHIP TO: 3649 Cane Run Road • Louisville, KY 40211-1961
TEL: (502) 778-2731 • 1 (800) 928-PUMP • FAX: (502) 774-3624

Visit our website:
zoellerpumps.com

Register your
Zoeller Pump Company Product
on our website:
<http://reg.zoellerpumps.com/>

WW1 Effluent Filter, P/N 170-0078

OWNER'S MANUAL

Application: Single family homes.

Filter Area: 132 Linear Feet of 1/16" filtration.

Flow Rate: 1,500 GPD. Two or more filters may be connected with a manifold for higher flow applications.

Material: All materials are non corrodible in the septic tank environment. Sleeve is PVC, primary filter is polypropylene, and filter connection element is neoprene.

Easy To Install Or Retrofit: The WW1 Filter fits inside any 4" sanitary tee. To install, slide the cartridge into the sleeve and rotate clockwise to lock. Insert the assembled cartridge and sleeve into the sanitary tee at the tank's outlet. Ensure the white vertical locking tab is pointing toward the outlet of the septic tank before installation. Firmly press the filter down into the sanitary tee until the vertical locking tab snaps into place, then rotate clockwise until the bypass screen no longer rotates. When installed correctly, the cartridge should be capable of rotating within the sleeve to the locked and unlocked position. If the cartridge hangs or will not rotate to the unlocked position, check to make sure the sleeve is installed with the vertical locking tab extending freely into the septic tank's outlet pipe. For an optional high water alarm assembly, order the high water alarm bracket (5090-0014), an alarm box (10-3067) and a float switch (sold separately).

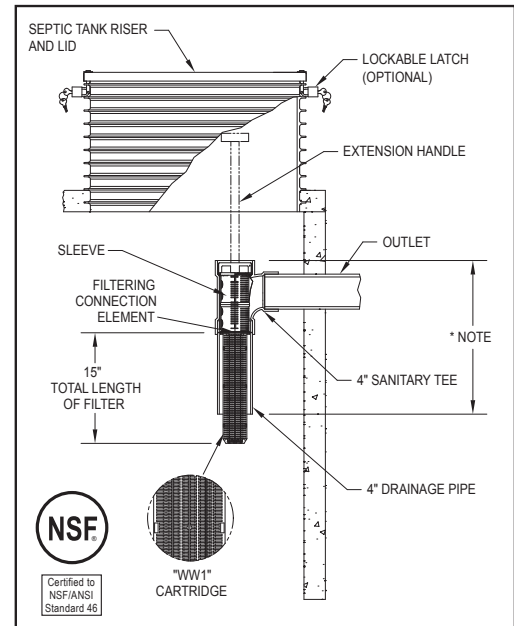
Adding An Extension Handle: A 1/2" PVC pipe can be attached to the top of the filter with a stainless steel screw. Cut off to appropriate length below the lid.

Easy To Maintain: The cartridge can be removed for maintenance by rotating the handle counterclockwise and then pulling the unit up out of the sleeve. The sleeve should remain in the sanitary tee while cleaning the cartridge. To clean, hold cartridge over septic tank opening and rinse with tap water until clean, washing filtered solids back into the septic tank. In addition, spray off any solids that have accumulated on the inside of the sleeve. The WW1 Filter should be cleaned each time the septic tank is pumped or when the need is indicated by a high water level in the tank or slow flows from the house. The secondary filter sleeve should be cleaned whenever the tank is pumped. For installations that exceed the design flow rate of the filter or in applications where the septic tank is undersized, more frequent cleanings may be required. It is recommended that the filter be inspected and serviced as part of a regular septic tank maintenance routine.

Troubleshooting, repair, and replacement: Follow the installation and maintenance instructions above. For replacement components, call 1-800-928-7867.

Lifetime Warranty: Every Zoeller Pump Company filter is guaranteed to be free from defects in materials and workmanship for the lifetime of the homeowner/purchaser. Free repair or replacement, excluding labor, will be made on return of the filter prepaid to the factory. This warranty is limited to product proven to be free from abuse or improper installation.

ALL ZOELLER PUMP COMPANY PRODUCTS MUST BE INSTALLED IN ACCORDANCE WITH PLUMBING AND HEALTH DEPARTMENT CODES.



NOTE: State and local plumbing codes may require a specific liquid penetration. For example, 25% - 45% into the liquid depth or 9" off the tank bottom.

Product information presented here reflects conditions at time of publication. Consult factory regarding discrepancies or inconsistencies.