

Trusted. Tested. Tough.®



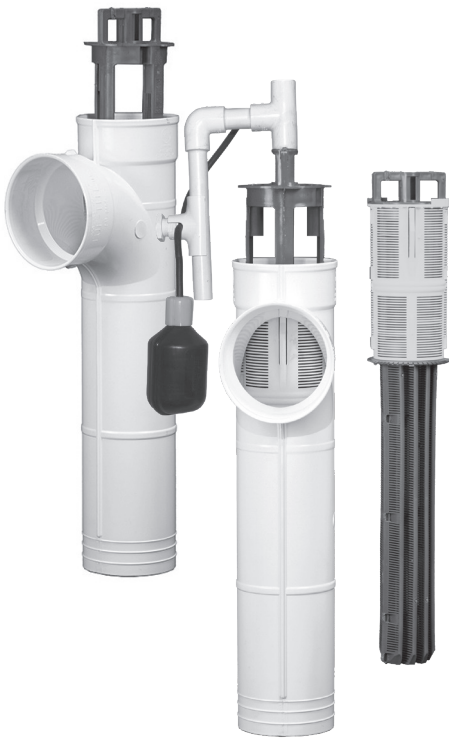
3.20.130  
CL0038  
0823  
Supersedes  
0123

MAIL TO: P.O. BOX 16347 • Louisville, KY 40256-0347  
SHIP TO: 3649 Cane Run Road • Louisville, KY 40211-1961  
Tel: (502) 778-2731 • 1 (800) 928-PUMP

Visit our website:  
zoellerpumps.com

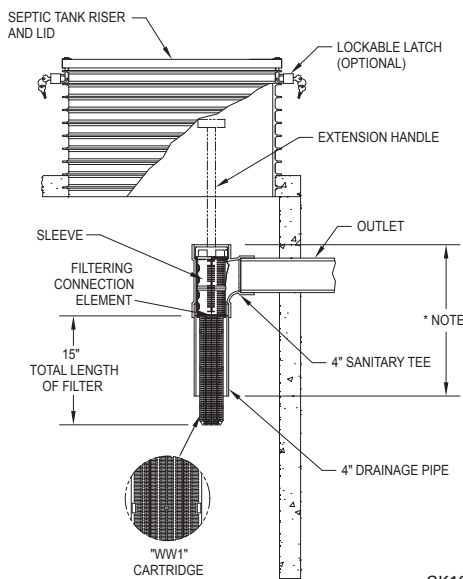
Product information presented here reflects conditions at time of publication. Consult factory regarding discrepancies or inconsistencies.

## TECHNICAL DATA WW1 Effluent Filter



### Features

- Rated for flows up to 1,500 gpd (5.7 m<sup>3</sup>/day)
- 132 linear feet of 1/16" filtration
- Fits 4" sanitary tees or DWV Tees
- Easy to install and maintain
- Integral bypass protection screen
- High water alarm bracket available
- Alarm bracket sold separately
- Float switch sold separately
- Lifetime warranty



SK1972

WW1 Effluent Filter ( 1,500 GPD)	
Part Number	Description
170-0078	WW1 Effluent Filter
170-0079	WW1 Effluent Filter (10 pk)
170-0144	WW1 Effluent Filter with 4" sanitary tee
170-0145	WW1 Effluent Filter with 4" sanitary tee (10 pk)
5090-0014	Alarm bracket assembly
91104-0001	A-Pak,Outdoor/115V/1Ph/15' Mfs/Nema 4X/UL/CSA
013216	Replacement filter cartridge (without bypass screen)
013218	Rubber alignment gasket
Container Assembly	
Part Number	Description
5090-0001	Container assembly with 12" riser and lid
31-1473	12" Riser extension with hardware and gasket
31-1476	6" Riser extension with hardware and gasket
170-0078	WW1 Effluent Filter
170-0144	WW1 Effluent Filter with 4" sanitary tee