

**MODEL
51/142**
Centrifugal
Effluent
Pumps



Effluent or dewatering submersible pumps for
septic tank, low pressure pipe (LPP),
& enhanced flow STEP systems



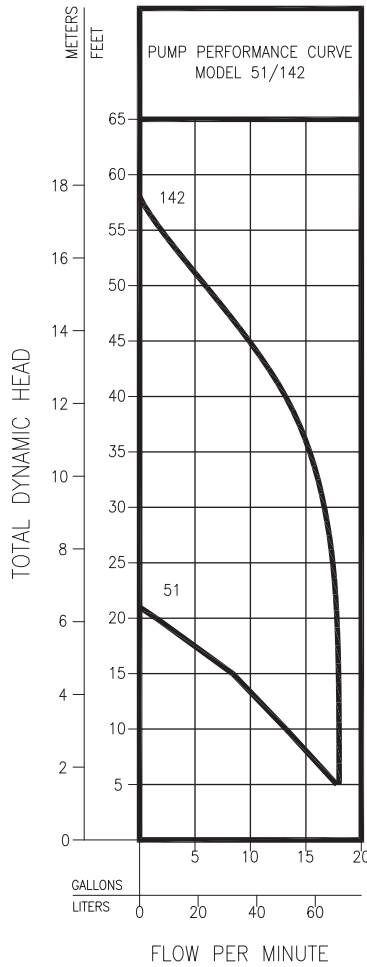
Centrifugal Effluent Pumps

Zoeller Pump Company submersible effluent pumps for septic tank, low pressure pipe (LPP), and enhanced flow STEP systems.

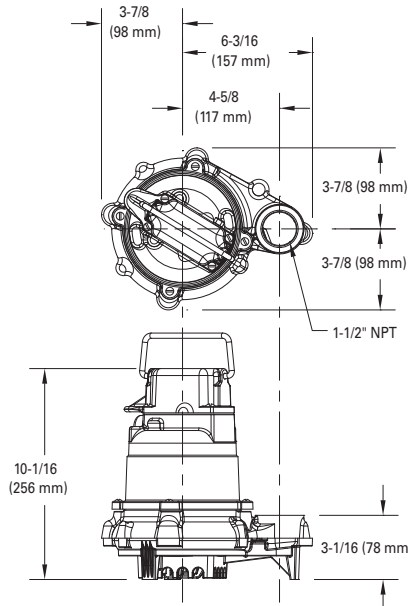
Features

- 115 V, 1 Ph
- Model 51 is .3 HP, 9.5 FLA
- Model 142 is 1 HP, 13.0 FLA
- Non-automatic (N) and automatic (BN) models available
- 1-1/2 NPT discharge
- Passes 1/2" spherical solids

Standard Weight	27 lbs (51), 54 lbs (142)
Motor	0.3 HP (51), 1 HP (142)
Hertz	60 Hz
Volts	115 V
Phase	1 Ph
Amperage	9.5 A (51), 13.0 A (142)
Materials	Cast iron
Cord Length	15' (51) or 20' (142)
Cord Type	UL listed, 3-wire cord and plug

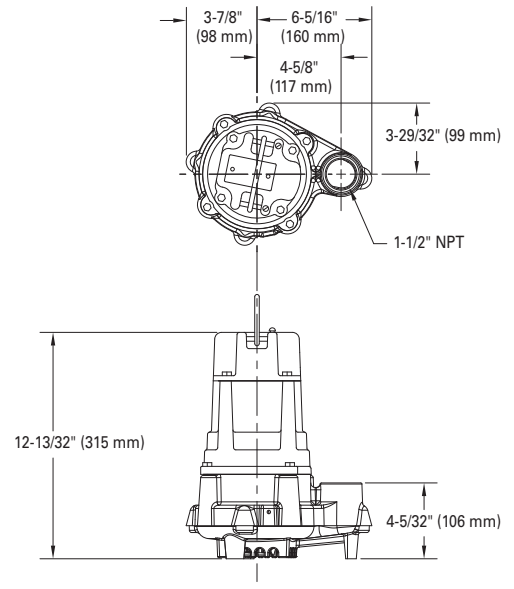


Model 51



SK1014

Model 142



SK1524

009962

Products	
Part Number	Description
51-0002	115 V/1 Ph Non-Automatic 52 Centrifugal Effluent Pump
51-0006	115 V/1 Ph Automatic 52 Centrifugal Effluent Pump
142-0002	115 V/1 Ph Non-Automatic 142 Centrifugal Effluent Pump
142-0006	115 V/1 Ph Automatic 142 Centrifugal Effluent Pump

C1.40.110
FM3455
0223
Supersedes
CL0027
0522

CAUTION All installation of controls, protection devices and wiring should be done by a qualified licensed electrician. All electrical and safety codes should be followed including the most recent National Electrical Code (NEC) and the Occupational Safety and Health Act (OSHA).