

MAIL TO: P.O. BOX 16347 • Louisville, KY 40256-0347
SHIP TO: 3649 Cane Run Road • Louisville, KY 40211-1961
Tel: (502) 778-2731 • 1 (800) 928-PUMP

Visit our website:
zoellerpumps.com

Product information presented here reflects conditions at time of publication. Consult factory regarding discrepancies or inconsistencies.

REPLACEMENT PARTS LIST FOR MODELS:

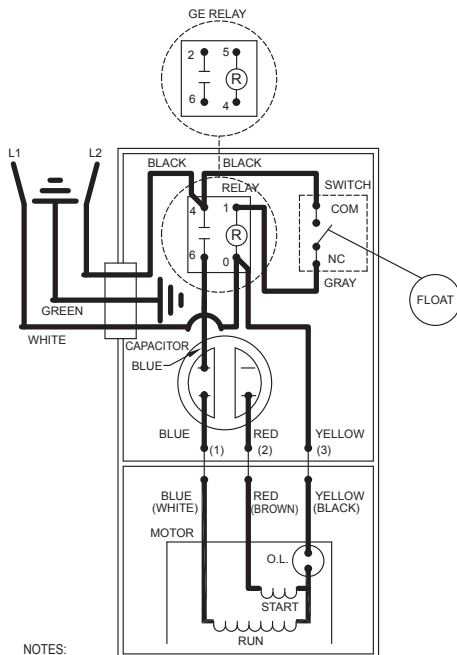
D165 AUTOMATIC 230V

E165 NONAUTOMATIC 230V

Consult factory for all other Models

TO ORDER REPLACEMENT PARTS: PLEASE FURNISH THE FOLLOWING INFORMATION:

- Model Number.
- Part Number of Pump.
(If manufactured prior to June 1988, give 2 letter date code following Model No.)
- Part Number and Description of part.

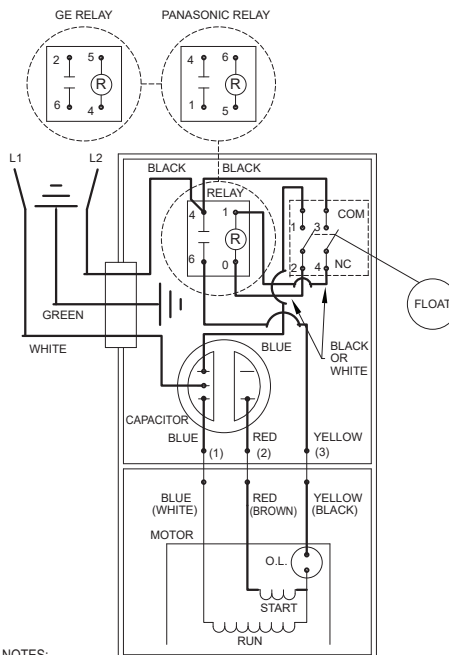


NOTES:

INSULATORS REQUIRED ON GE RELAY TERMINALS 2 & 5;
OMRON RELAY TERMINALS 1 & 4.

002398

WIRING DIAGRAM FOR
MODELS
"D165-A"
4/81 (PM) thru 8/86 (US)

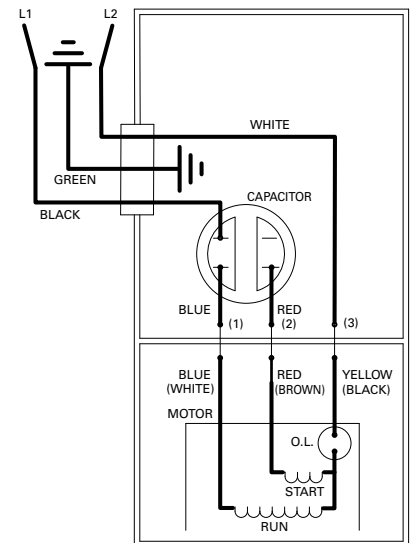


NOTES:

- 1) INSULATORS REQUIRED ON GE RELAY TERMINALS 2 & 5;
OMRON RELAY TERMINALS 1 & 4.
PANASONIC RELAY TERMINALS 6 & 4.

004622

WIRING DIAGRAM FOR
MODELS
"D165-B"
9/86 (VS) thru Current



002397

WIRING DIAGRAM FOR
MODELS
"E165-A", "E165-B", "E165-C",
and "E165-D"
4/81 (PM) thru Current

REPLACEMENT PARTS LIST FOR MODELS "D165".

See back page for "D165" illustration.

REF NO.	DESCRIPTION	MODELS:		D165-A	D165-B	D165-C	D165-D	D165-E	D165-F
		QTY	NOTES	4/81 thru 1/85	2/85 thru 8/86	9/86 thru 7/09	8/09 thru 1/16	2/16 thru 2/25	2/25 thru Current
1	CASE SWITCH & CORD 230V/1PH	1	2,3	002378	002378	004748	004748	004748	004748
2	• HANDLE	1		217069	217069	217069	217069	217069	217069
3	CORD TERM&SEAL 20'/230V/1PH/A	1	3	002429	002429	002429	002429	002429	002429
4	CLAMP,STRAIN RELIEF-RED	1	3	001770	001770	001770	001770	001770	001770
5	SEAL,CORD-ASM & STRAIN RELIEF	1		094032	094032	094032	094032	094032	094032
6	CASE-MACH "160/180/280/290"	1	2	004748	004748	004614	004614	004614	004614
7	• GUARD	1		001023	001023	001023	001023	001023	001023
8	• ARM & SEAL ASM "160/180/290"	1	2	002379	002379	004745	004745	004745	004745
9	• GASKET,CASE/COVER	1		001011	001011	001011	001011	001011	001011
10	SWITCH ASM "160/180/290"	1	2	002380	002380	004744	004744	004744	004744
11	• WIRE PKG (6 WIRE)	1		001070	001070	004749	004749	004749	004749
	WIRE ASM-F-F(1)WIRE GY 7" LG	1		002609	002609	NA	NA	NA	NA
12	CAPACITOR & CLAMP ASM 20UF	1		002381	002381	002381	002381	002381	002381
13	RELAY 230V	1		217093	217093	217093	217093	153833	153833
14	FLOAT,PLASTIC	1		094039	094039	094039	094039	094039	094039
15	GUIDE ASM,FLT ROD	1		001072	001072	001072	001072	001072	001072
16	ROD ASM,FLT	1		003083	003083	003083	150439	150439	158668
17	HOUSING,MTR-& STATOR 230V/1PH	1	1, 6	002382	002382	002382	019655	019655	019655
18	BEARING,SLEEVE	1		001012	001012	001012	NA	NA	NA
	BEARING, UPPER BALL	1		NA	NA	NA	006703	006703	006703
19	• PLUG,TEST-WHITE	2		034090	034090	034090	034090	034090	034090
20	• SEAL,THRU WALL TERM	3		003402	003402	003402	003402	003402	003402
21	ROTOR & BRG ASM	1	6	001074	001074	001074	019650	019650	019650
22	• BEARING,RADIAL	1		001013	001013	001013	010069	010069	010069
23	• SEAL,MTR HSG	1		001014	001014	001014	001014	001014	001014
24	• OIL,DIELECTRIC	1		002383	002383	002383	011066	011066	011066
25	ADAPTER-MACH 163/165/293	1		001003	001003	001003	001003	001003	001003
26	• SEAL,SHAFT	1		002430	002430	002430	002430	002430	002430
27	FLANGE PKG 2" NPT	1		NA	10-1305	10-1305	10-1305	10-1305	10-1305
	FLANGE PKG 3" NPT	1		NA	10-1306	10-1306	10-1306	10-1306	10-1306
28	IMPELLER BR "165/188" BRONZE	1		001046	004203	004203	004203	004203	004203
	IMPELLER "165/188" CAST IRON		N/A	N/A	N/A	N/A	157829	157829	
	IMPELLER "165/188" PLASTIC		N/A	N/A	N/A	N/A	159298	159298	
29	HOUSING,PUMP-MACH 163/165	1		001044	004214	004214	004214	004214	158895
30	STRAINER PLATE	1		137008	137008	137008	137008	137008	137008
31	• SCREW, .25-20 X .75 HHM-SS	4		001916	001916	001916	001916	001916	001916
32	• SCREW, .313-18 X 1" HH CAP-SS	4		002608	002608	002608	002608	002608	002608
33	• SCREW, #10-24 X.375 RHM-SL SS	2		001883	001883	001883	001883	001883	001883
34	• SCREW, #6-32X.438RHSLTP"1" STLZI	2		001877	001877	004644	004644	004644	004644
35	• SEM,10-24X.375HH-SL TC.688WASH	2		002000	002000	002000	002000	002000	002000
36	• WASHER, SS-1.25"ODX.562"IDX.078	2		N/A	002115	002115	002115	002115	002115
37	• SCREW, .5-13 X 2 HH CAP-SS	2		N/A	001909	001909	001909	001909	001909
38	• SCREW, #6-32X.25RHM SL TC STLGR	5		001877	001877	001877	001877	001877	001877
39	• SCREW, .25-20 X 1" HHM-SS	4		007790	007790	007790	007790	007790	007790
□	REBUILD KIT "160/185/293"			002425	002425	004747	019647	019647	019647

- Items included in Rebuild Kit.
- Not Shown in Illustration.

NOTES:

- 1) Mtr. Hsg., Brg., Stator & Term. (Item 17) is preassembled at the factory and must be replaced as a unit. Stator is permanently attached to the Motor Housing. Plug (Item 19); Seal, Thru Wall Term. (Item 20) and Bearing - Upper (Item 18) are replaceable.
- 2) When ordering these parts, customer must identify if switch is a General Electric switch.
- 3) If an "X" follows Model No., or Date Mfg. on ID tag, consult factory for ordering of this part.
- 4) See FM0160 Parts Price Sheet for listing of parts prices.
- 5) "NA" indicates, not applicable.
- 6) When ordering these parts, customer must identify if G.E. or EMD.

REPLACEMENT PARTS LIST FOR MODELS "E165".

See back page for "E165" illustration.

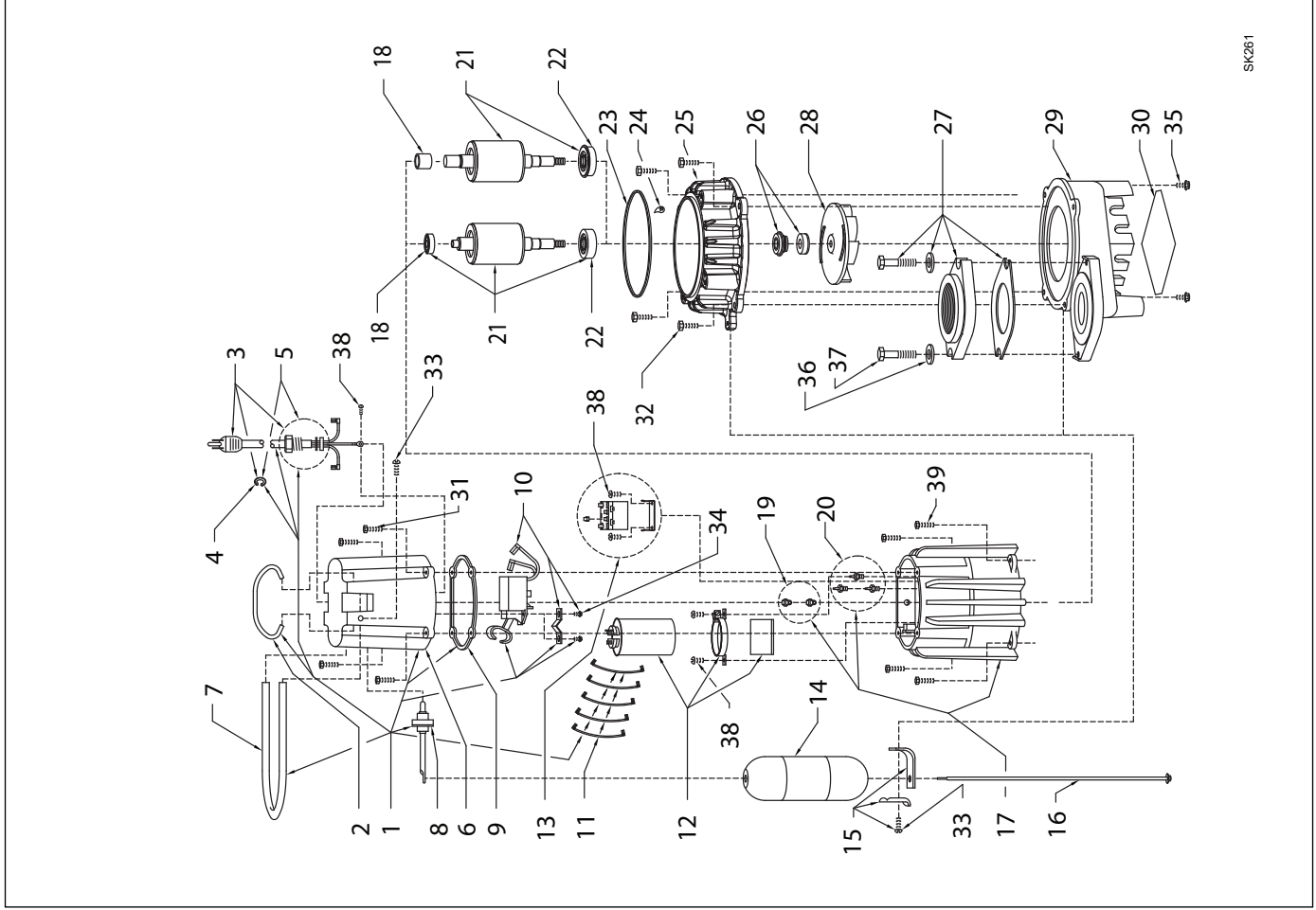
REF NO.	DESCRIPTION	MODELS:		E165-A	E165-B	E165-C	E165-D
		QTY	NOTES	4/81 thru 1/85	2/85 thru 8/86	9/86 thru 7/09	8/09 thru Current
1	• HANDLE	1		217069	217069	217069	217069
2	COVER & CORD 230V/1PH	1	2	002401	002401	002401	002401
3	CORD TERM&SEAL 20"/230V/1PH/NA	1	2	002402	002402	002402	002402
4	CLAMP,STRAIN RELIEF-RED	1	2	001770	001770	001770	001770
5	• SEAL,CORD-ASM & STRAIN RELIEF	1	2	094032	094032	094032	094032
6	COVER-MACH STD CD OR 3PH "293"	1		001077	001077	001077	001077
7	• GASKET,CASE/COVER	1		001011	001011	001011	001011
8	• WIRE PKG (5) WIRES	1		001070	001070	004749	004749
9	CAPACITOR & CLAMP ASM 20UF	1		002381	002381	002381	002381
10	HOUSING,MTR- & STATOR 230V/1PH	1	1, 5	002382	002382	002382	019655
11	BEARING,SLEEVE	1		001012	001012	001012	NA
	BEARING, UPPER BALL	1		NA	NA	NA	006703
12	• PLUG,TEST-WHITE	2		034090	034090	034090	034090
13	• SEAL,THRU WALL TERM	3		003402	003402	003402	003402
14	ROTOR & BRG ASM	1	5	001074	001074	001074	019650
15	• BEARING,RADIAL	1		001013	001013	001013	010069
16	• SEAL,MTR HSG	1		001014	001014	001014	001014
17	• OIL,DIELECTRIC-(38 OZ CAN)	1		002383	002383	002383	011066
18	ADAPTER-MACH 163/165/293	1		001003	001003	001003	001003
19	• SEAL,SHAFT	1		002430	002430	002430	002430
20	FLANGE PKG 2" NPT	1		NA	10-1305	10-1305	10-1305
	FLANGE PKG 3" NPT	1		NA	10-1306	10-1306	10-1306
21	IMPELLER BR "165/188" BRONZE	1		001046	004203	004203	004203
	IMPELLER "165/188" CAST IRON		N/A	N/A	N/A	157829	
	IMPELLER "165/188" PLASTIC		N/A	N/A	N/A	159298	
22	HOUSING,PUMP-MACH 163/165	1		001044	004214	004214	004214
23	STRAINER PLATE	1		137008	137008	137008	137008
24	• SCREW,.25-20 X .75 HHM-SS	4		001916	001916	001916	001916
25	• SCREW,.313-18 X 1" HH CAP-SS	4		002608	002608	002608	002608
26	• SCREW,#10-24 X.375 RHM-SL SS	2		001883	001883	001883	001883
27	• SEM,10-24X.375HH-SL TC.688WASH	2		002000	002000	002000	002000
28	• SCREW,.5-13 X 2 HH CAP-SS	2		NA	001909	001909	001909
29	• WASHER,SS-1.25"ODX.562"IDX.078	2		NA	002115	002115	002115
30	• SCREW,#6-32X.25RHM SL TC STLGR	4		001877	001877	001877	001877
31	• SCREW, .25-20 X 1" HHM-SS	4		007790	007790	007790	007790
□	REBUILD KIT "160/185/293"			002425	002425	004747	019648

- Items included in Rebuild Kit.
- Not Shown in Illustration.

NOTES:

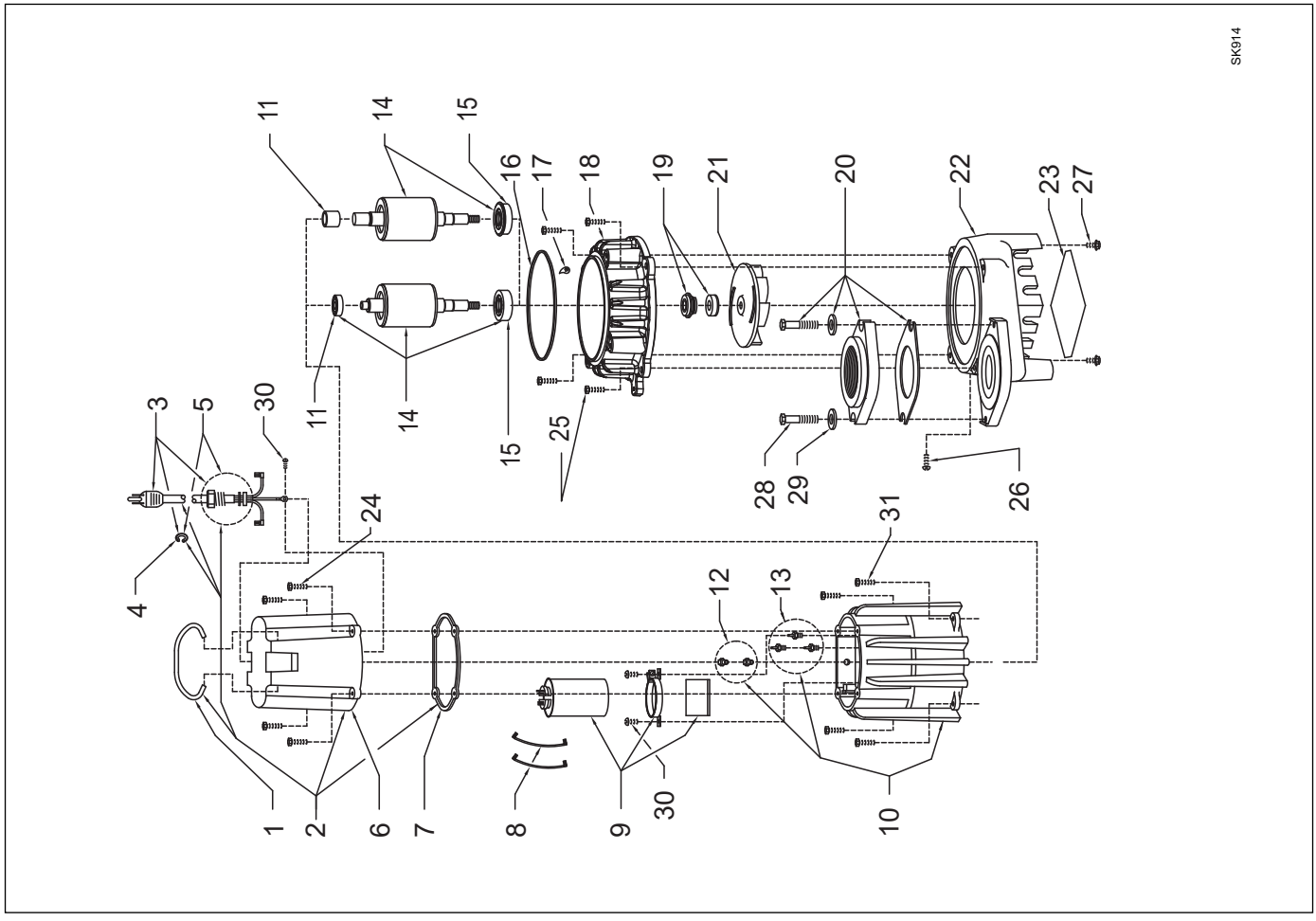
- 1) Mtr. Hsg., Brg., Stator & Term. (Item 10) is preassembled at the factory and must be replaced as a unit. Stator is permanently attached to the Motor Housing. Plug (Item 12); Seal, Thru Wall Term. (Item 13) and Bearing - Upper (Item 11) are replaceable.
- 2) If an "X" follows Model No., or Date Mfg. on ID tag, consult factory for ordering of this part.
- 3) See FM0160 Parts Price Sheet for listing of parts prices.
- 4) "NA" indicates, not applicable.
- 5) When ordering these parts, customer must identify if G.E. or EMD.

REPLACEMENT PARTS ILLUSTRATION FOR MODEL "D165"



SK261

REPLACEMENT PARTS ILLUSTRATION FOR MODEL "E165"



SK914