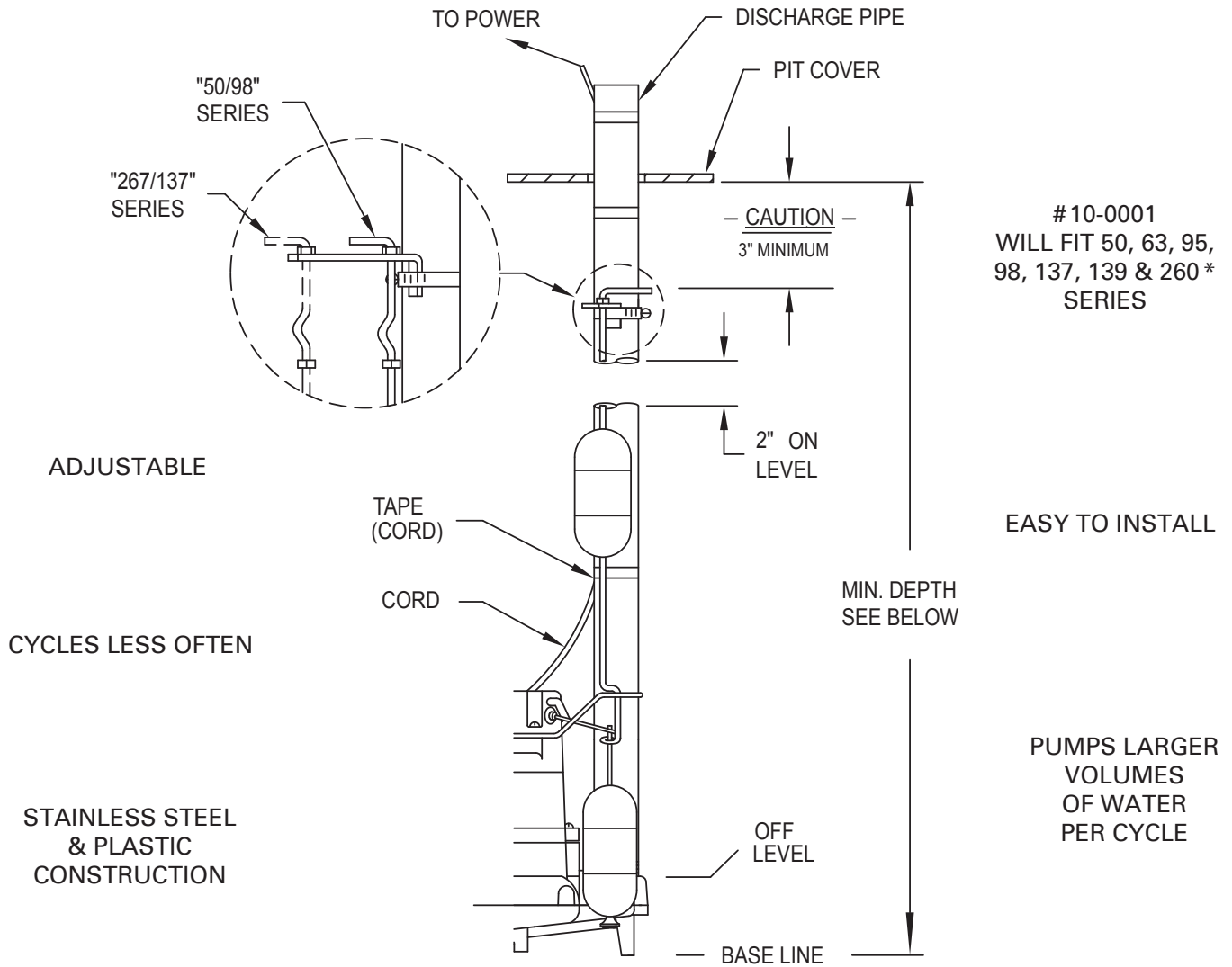


MAIL TO: P.O. BOX 16347 • Louisville, KY 40256-0347
SHIP TO: 3649 Cane Run Road • Louisville, KY 40211-1961
Tel: (502) 778-2731 • 1 (800) 928-PUMP

Visit our website:
zoellerpumps.com

Product information presented here reflects conditions at time of publication. Consult factory regarding discrepancies or inconsistencies.

**LONG CYCLE KIT - MODEL 10-0001
FOR DEWATERING APPLICATIONS ONLY (SEE * NOTE)**



SK362

SERIES PUMPS	MIN. PIT DEPTH	MAX. ON POINT	MIN. OFF POINT	MIN. ON POINT
53,55,57,59,63,95,98	43"	35"	3"	6"
137,139,260*	45"	36"	3"	7"

*DO NOT USE LONG CYCLE KIT WITH THE 260 SERIES IN SEWAGE APPLICATIONS.